

THE TRUSTED SOLUTION FOR RAISING CALVES INDOORS

INNOVATIVE • ERGONONMIC • LABOUR-EFFICIENT • DURABLE



POST STYLE

The post style calf suite is ideal for use in barns where group penning is desired. The posts from which the gates hang are lagged into a concrete base and remain in place all of the time. This allows you to pull out the odd panel to make larger pens and to group a few calves together after they are weaned but before they get moved to larger group pens. Studies have shown that this social integration on a small scale benefits the calves by facilitating the transition to an even larger group pen. Removing panels also gives you the ability to clean out an entire row of pens all at once with a skid loader while leaving the posts and front gates in place.

Comfy Calf Suites offer an advanced, innovative housing alternative to outdoor hutches and other labor intensive options for penning. Comfy Calf Suites are safe, efficient and most importantly, very comfortable for your calves and you. Ideal for calves up to eight to ten weeks of age, they are built with durable plastic planks and heavy-duty hardware. Comfy Calf Suites are easy to install, easy to clean and the open-front gates allow you to keep a close eye on the future of your dairy herd. Producers throughout the United States, Canada and Europe are choosing Comfy Calf Suites (including numerous repeat customers) to raise calves in curtain barns, greenhouses and other types of facilities.

HOOP STYLE

Our hoop style calf suite is a stand alone unit which can be used in barns that do not have a concrete base to fasten the unit to and where all calves will only be individually housed. If you wish to convert individual pens into group pens as the calves mature, please see our post style calf suite. The hoop style makes cleaning the pens remarkably easy. Simply pop off the hoop and bottom retainer, and pull out the remaining pieces. It can now easily be washed in a designated wash area or stored out of the way of the skid loader that is being used to clean the pens.



USED IN OVER 6000 DAIRY FARMS WORLDWIDE!

“When I was building my calf barn I was looking for a sturdy product that makes it easier to keep an eye on my calves body conditions. The Comfy Calf Suites weren’t flexible or flimsy like the other kinds and they make the calves more visible than hutches.”
– Mike Buechel, 50 head calf barn, New Holstein, Wisconsin.

COMFY CALF SUITES ADVANTAGES



EASY TO INSTALL

Comfy Calf Suites' plastic planks are interlocking. You just snap them together to create side panels that are 41" or 51" (104.14 or 129.54cm) in height. Once your posts are in place (either stationary style or removable hoop style are available), drop in the front gate, mount a channel to the back wall and slide in the panel. Then simply pin the panel to the channel and you are done!

ERGONOMIC DESIGN

With Comfy Calf Suites there's no more climbing over gates or straining under the roof of a hutch to feed, dehorn, treat or observe calves. The galvanized spindle gates at the front of the stall allow you to easily monitor each calf's condition. When you want to enter the stall, the gate can be operated with one hand and it swings in or out. The two-way self-closing latch secures the gate behind you. Easy access to calves in an indoor environment promotes greater interaction time between workers and calves.

HEALTHY CALVES

Comfy Calf Suites' dividers are non-porous so, unlike plywood dividers, they aren't likely to harbor diseases. Calves are close together, yet remain isolated to prevent the spread of disease. There's zero nose-to-nose contact with the extended front design. Air moves easily through the pen's open top and front, producing a healthy environment. Vented back wall allows fresh air to flow through, removing airborne organisms, dust, odors and excess moisture. Lower panels of the vented back wall also allow calves to nest during colder temperatures.



STRESS-FREE GROUPING

There's no moving of animals when you want to switch calves to group pens. Simply remove the side panels and instantly create an open space for housing a group of six, eight or even ten calves (limited by the number of stalls in the row.) This provides a simple step-up phase to larger groups. Calves are exposed to increased social interaction in a controlled environment.

EASY, LABOR EFFICIENT CLEANING

Comfy Calf Suites dramatically decrease the amount of time and effort spent on cleaning pens vs. some alternatives. Simply slide away the dividing side panels and zip through with a skidsteer for a fast, easy clean-up. Plastic panels can be power-washed and they dry quickly, too.

LABOR AND SPACE SAVINGS

Unlike calf hutches, which inefficiently spread calves out over large areas, Comfy Calf Suites are together in a row. Maintain more calves in less floor space and minimize the distance you carry feed and other supplies.

EASILY ADAPTABLE FOR VARIOUS FACILITIES

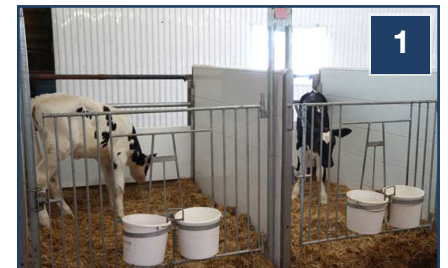
Comfy Calf Suites have a versatile design and can be set up in many types of facilities. Producers throughout the United States, Canada and Europe are choosing Comfy Calf Suites (including numerous repeat customers) to raise calves in curtain barns, greenhouses and other type of facilities.

DURABILITY

Comfy Calf Suites are built tough to house calves up to 8-10 weeks of age. The 10" (25.40 cm) deep interlocking plastic panels are a full 2" (5.1 cm) in width with intermediate reinforcements inside to add strength. Heavy hot-dipped galvanized steel is used to construct the front spindle gates, posts and bucket brackets. Stainless steel panel channels and back wall brackets are designed for maintenance-free durability.

CONVERT TO GROUP PENNING

Remove eye bolts, remove panel and you're done!



"The Comfy Calf Suites are light weight, easy to use and clean. Easy to change accessories around and change to group housing as the calves age. Our calf health has improved since installing the Canarm AgSystems pens."

– Andrea Brossard, 62 head calf barn, Beaver Dam, Wisconsin.

COMFY CALF SUITES PACKAGE SIZES & OPTIONS

INCLUDED IN PACKAGE



PLASTIC PLANKS
Plastic planks snap together with stainless steel end channels to create panels.



GALVANIZED POSTS
Galvanized double posts or hoop style post to hold swinging front gate and keep dividers in place.



HANDLES
Pull out handles on panels.



QUICK-ATTACH BRACKET
Stainless steel, quick-attach bracket to mount panel divider to back wall.



IDENTIFICATION CARD
Identification card and clip for calf information included with double post.



SPINDLE GATE
Galvanized front spindle gate for suite front.



PAIL HOLDER
Galvanized dual pail holder.



PAILS
Two white pails for milk, water or grain.

STANDARD SIZES

ON CENTER STALL WIDTHS: 36" (91.4cm), 42" (106.7cm)
48" (121.9cm)

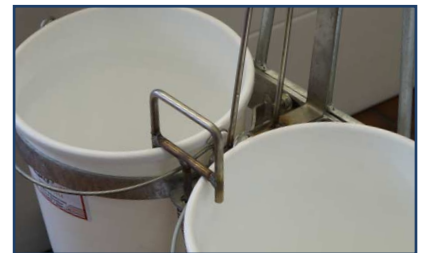
PEN LENGTHS: 72" (182.9cm), 96" (243.8cm)
PANEL HEIGHTS: 41" (104.1cm), 51" (129.5cm)

OPTIONAL ACCESSORIES

CALF BOTTLE HOLDER
A calf bottle holder.



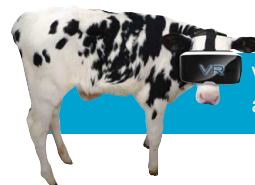
CALF PAIL HOLD-DOWN
A calf pail hold-down which prevents calves from dislocating pails.



PAIL DIVIDER
A Pail Divider to reduce mixing of feed and water.



HAY FEEDER
Hay feeder to help transition the calf's feed.



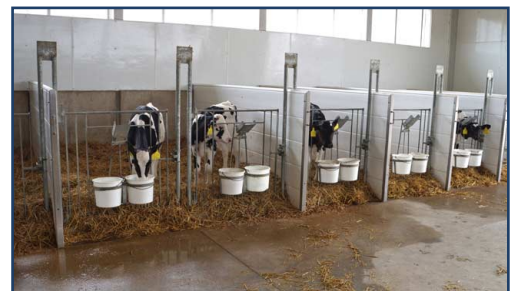
Visit www.canarm.com/comfycalfsuites and take the Virtual Tour!

CUSTOM COMFY CALF SUITES

At Canarm AgSystems, our job is to develop new solutions to meet your needs. Comfy Calf Suites can be custom made to fit your operation no matter the size.

EXAMPLES OF CUSTOM REQUESTS

- Custom front widths.
- Special divider lengths.
- Freestanding suites.
- Fronts with headlocks.
- Custom wall attachments.
- Custom gate sizes and styles.
- Custom panel dividers.
- Starter pen with raised flooring on wheels.



"[We] Looked at several different options. Settled on the Canarm [Comfy Calf Suites] because they were very easy to assemble, easy to clean, very rugged, calf friendly, a lot of space. The original panels are still in excellent condition. If we clean them up, they look just like new, so we've been really happy with them. I really can't fault them in any way. We've been super happy."

- Greg Busch, Bumble B Dairy, Cuba City, Wisconsin.

ASSEMBLY

STEP #1
Snap Plank Together As Shown.
Snap Cap On Last To Complete Panel.

STEP #2
Fasten Handle To Channel (O--ptional)
Bolt On Chanel W/Supplied Hdw.

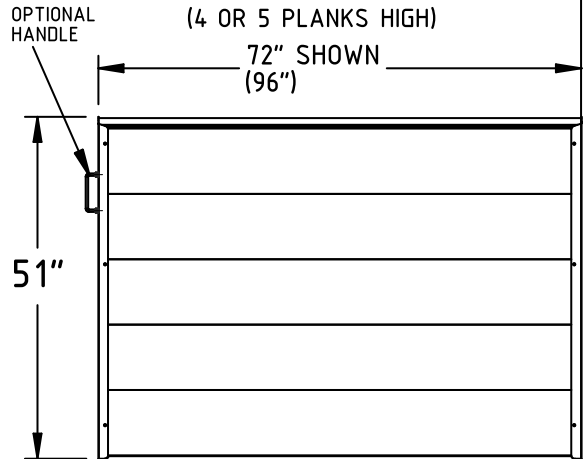
STEP #3
Install Dbl Posts, 36", 42", 48" O.C.
Hang Gates And Install Latch.

STEP #4
Install 24" Wide Channel At Back.
Slide Panel Thru Post Into 24" Channel.
Install Eye Bolt To Secure Panel.

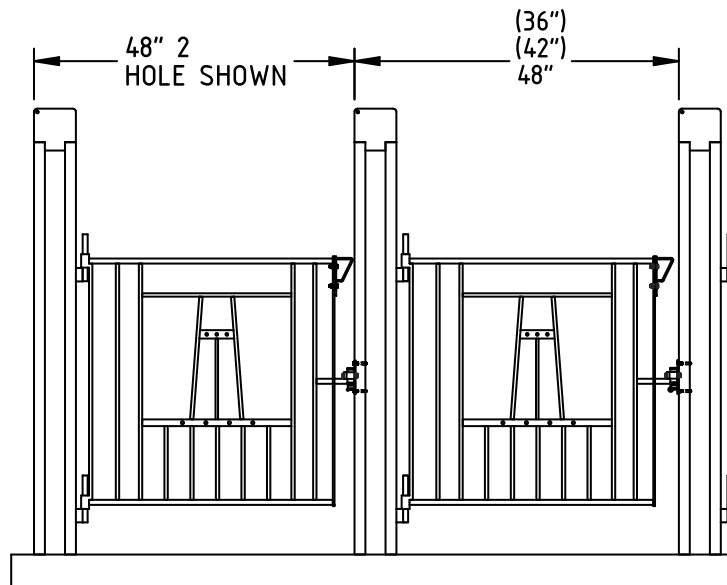
STEP #1



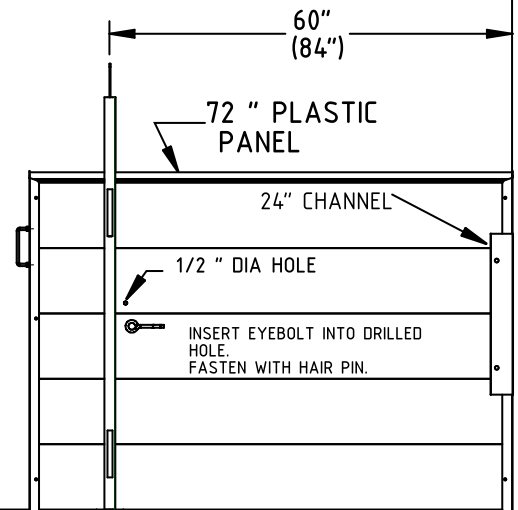
STEP #2



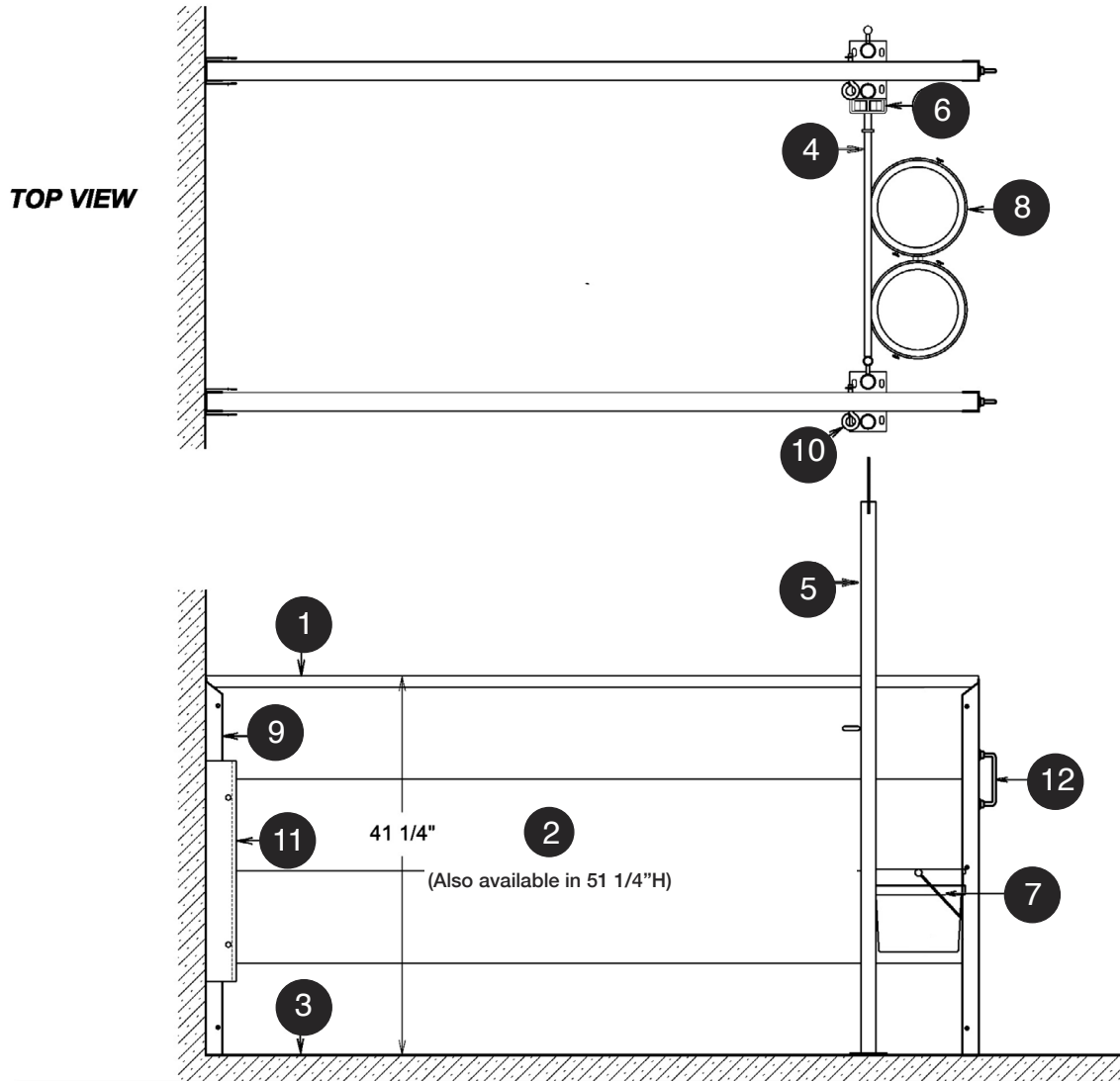
STEP #3



STEP #4

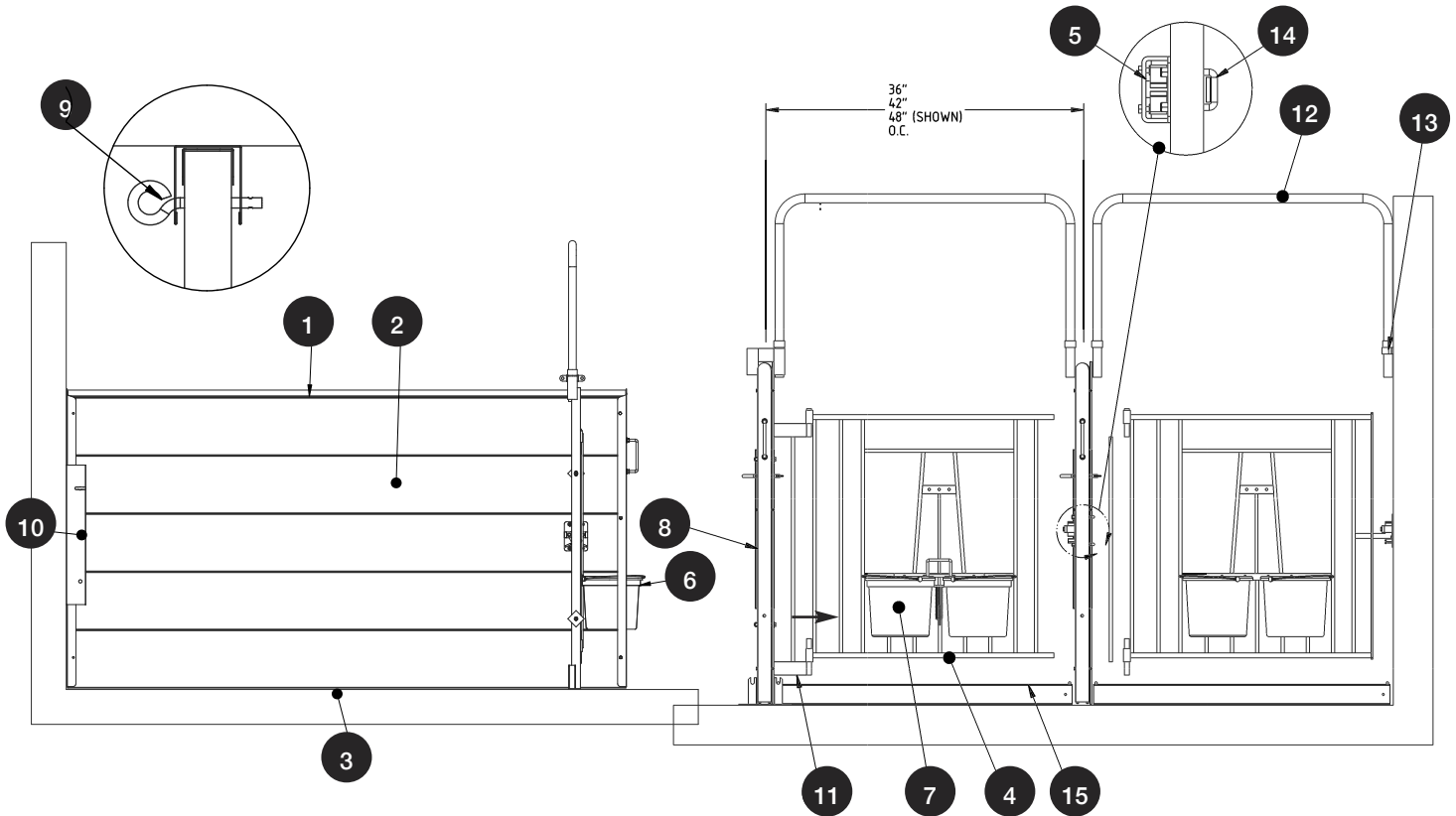


ASSEMBLY



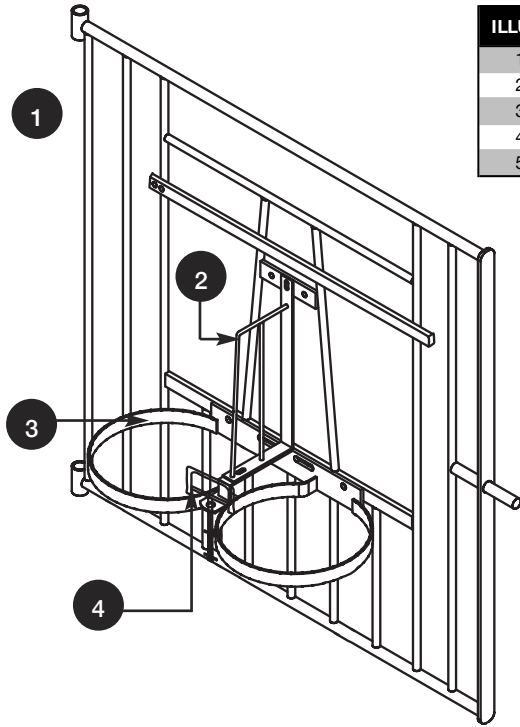
ILLUS.	DESCRIPTION	PART #
1	PL CAP 1.5" X 24' (cut to size)	2013124
2	PL PLANK 10" X 24' (cut to size)	2013024
3	BOTTOM PLUG/PLNK 20' LG (cut to size)	2013220
4	GALV. 36" O.C. CALF FRONT (shown)	1241136
N/S	GALV. 42" O.C. CALF FRONT (optional)	1241142
N/S	GALV. 48" O.C. CALF FRONT (optional)	1241148
5	GALV. 60" DBL POST BOLT DOWN	1240200
6	GALV 2-WAY CALF LATCH (1 ONLY)	1240100
7	GALV. DBL PAIL HOLDER + HDW.	1241210
8	PLASTIC CALF PAIL (WHITE)	1235033
9	41" SS CHANNEL (20 GA.)	1240041
N/S	51" SS CHANNEL (20 GA.)	1240051
10	BAG OF 5 QUICK ATTACH (DBL POST)	1240225
11	SS 24" MOUNT CHANNEL (20 GA.)	1240226
12	BAG OF 5 HANDLES & HDW ZP	1240250

ASSEMBLY

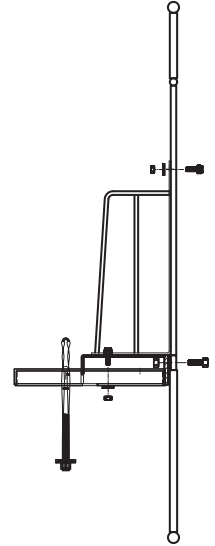
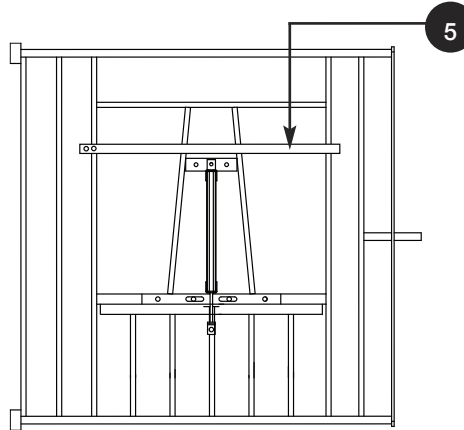


ILLUS.	DESCRIPTION	PART #
1	PLASTIC CAP 1.5" X 72" (OR 96" LG)	2013130-72 / 2013130-96
2	PLASTIC PLANK 10" X 72" LG (OR 96" LG)	2013030-72 / 2013030-96
3	BOTTOM PLUG / PLANK 20' LG (cut to size)	2013220
4	GALVANIZED CALF FRONT ONLY - 36" 42" 48"	1241136 1241142 1241148
5	GALVANIZED 2-WAY CALF LATCH	1240100
6	GALVANIZED DBL PAIL HOLDER + HDW	1241210
7	PLASTIC CALF PAIL (WHITE)	1235033
8	STAINLESS STEEL CALF CHANNEL (20 GA) + PLATE 41" HIGH 51" HIGH	1270041 1270051
9	BAG OF 5 EYE PIN + HAIR PIN / QUICK RELEASE	1240225
10	STAINLESS STEEL 24" MOUNT CHANNEL / CALF SUITE	1240226
11	HINGE STRAP / CALF SUITE - 41" LG 51" LG	1275241 1275251
12	33" OD CALF ARCH (36" O.C. PEN) (42" O.C. PEN) (48" O.C. PEN)	1290136 1290142 1290148
13	FORMED CLAMP (1" PIPE) (FOR ROW END ONLY)	2060260
14	SQUARE U-BOLT 1.75" ID X 3" LG. (3/8" DIA.)	1270260
15	GALV RET. CHNL (36" OC SUITE) (42" OC SUITE) (48" OC SUITE)	1240264-36 1240264-42 1240264-48

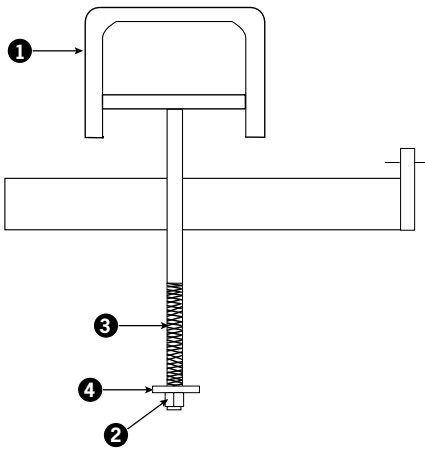
1241148 CALF PAIL HOLDER ASSEMBLY



ILLUS.	DESCRIPTION	PART #	QTY
1	SW CALF FRONT	1241148	1
2	NEW 1 PC STAINLESS STEEL PAIL DIVIDER + HDW	1241280SS-ND	1
3	GALV. DBL PAIL HOLDER ONLY	1240210A	1
4	CALF PAIL HOLD DOWN ASSEMBLY	1241011	1
5	CALF HOLE REDUCER	1241120	1



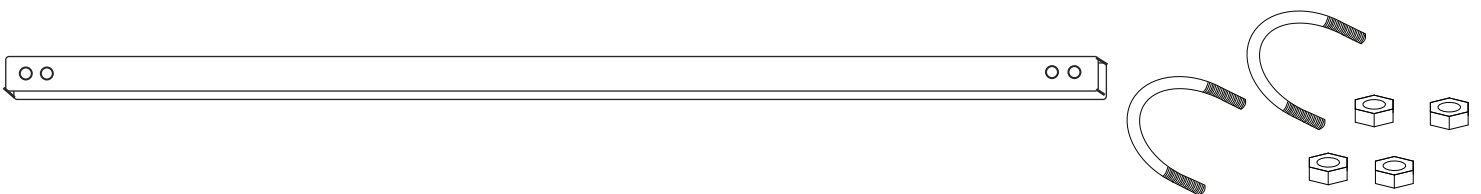
1241011 CALF PAIL HOLD DOWN ASSEMBLY



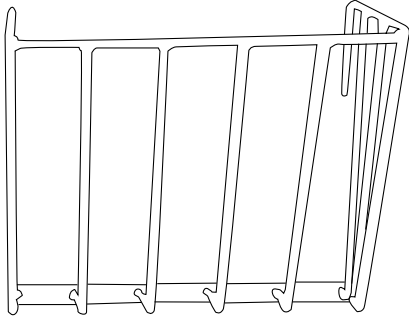
- 1) Insert hold down handle, through the hole in the angle.
- 2) Slide the spring on from the bottom.
- 3) Pull spring up and install heavy washer & lock nut.

ILLUS.	DESCRIPTION	PART #	QTY
1	HOLD DOWN HANDLE	1241011A	1
2	3/8" LOCK NUT	NUT3/8LN	1
3	SPRING	1310154	1
4	HEAVY WASHER	W-179	1

1241120 CALF HEAD HOLE REDUCER

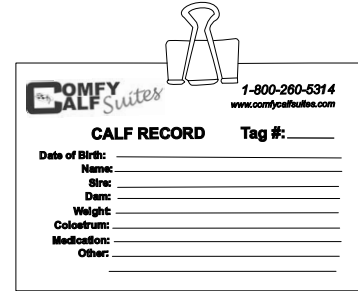


1235030
HAY FEEDER



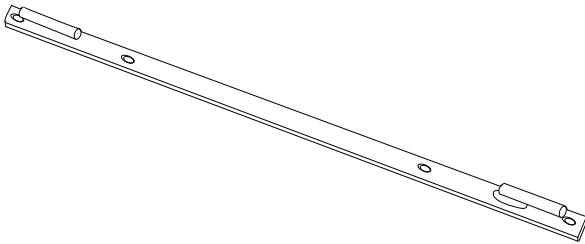
CALFCARD-50 - COMFY CALF
SUITE RECORD CARD (BOX 50)

2060892 - CARD
HOLDER CLIP

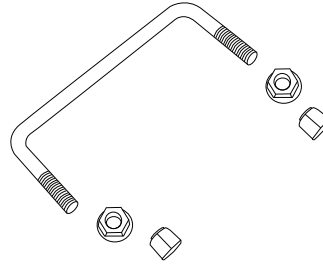


PARTS

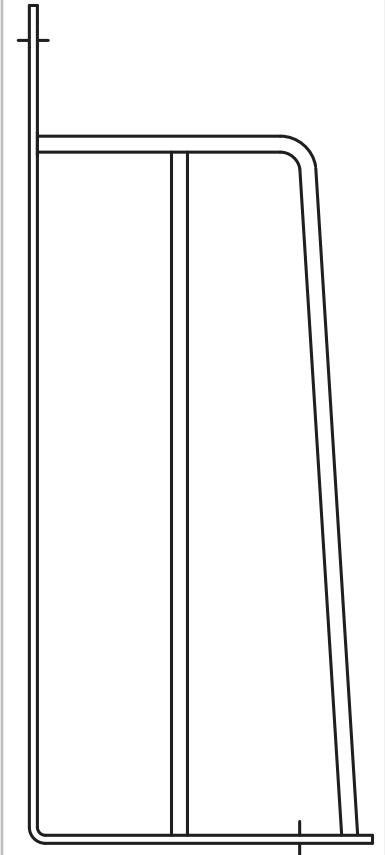
1240205
WALL STRAP & HINGE



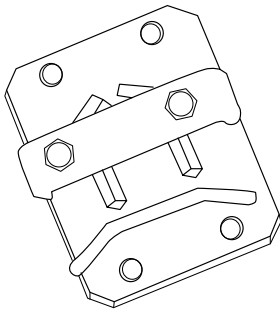
1240250
BAG OF 5 HANDLES



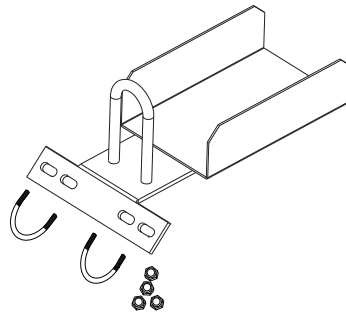
1241280SS - ND
CALF PAIL DIVIDER



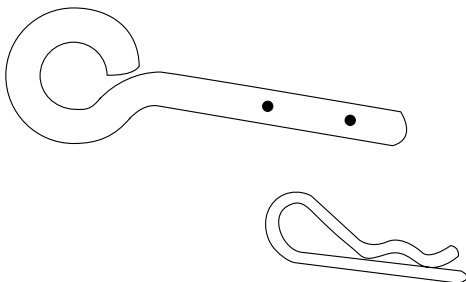
1240100
GALV. 2-WAY CALF LATCH (1 ONLY, NO U-BOLTS)



1240235
BOTTLE HOLDER + HDW

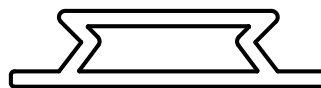


1240225
BAG OF 5 EYE PIN + HAIR PIN / QR



2013220
BOTTOM PLUG/20' PLANK

2013224
BOTTOM PLUG/24' PLANK



STATIONARY STYLE

** Easy order packages include double post, plank divider and hardware, calf front, latch, pails, pail holder, quick attach. Just add a row end if required. See Calf Suites Pricing - P1.**

NOTE: Back wall NOT INCLUDED in package.

COMFY CALF SUITES AS PARTS

1. Order fronts
 - Specify length
 - One for each suite

2. Order double posts & wall hinges
 - One double post for each pen & end of rowOR
 - Order 1 wall hinge for end of row, instead of double post

3. Order side panels
 - One for each double post
 - 6' & 8' panels can be purchased as complete packages
 - Other sizes should be ordered as parts

4. Order latches
 - These are available individually
 - Order u-bolts separately

5. Order hardware packages
 - Specify post style or hoop style

6. Order accessories
 - Pail holders, pails, pail hold-downs, pail dividers, hay feeders, anchors

7. Order optional parts
 1. Galvanized Manual Lock & Flipper - turns the calf front into a locking front for calf management duties
 2. Galvanized Bottle Holder - holds standard milk bottles (4" square)

HOOP STYLE COMFY CALF SUITES

INSTALLATION INSTRUCTIONS



See COMFY CALF SUITES
in action.
Visit our YouTube channel, our
product page or scan the QR code.



YouTube



Installation or product problems? Call 1-800-260-5314

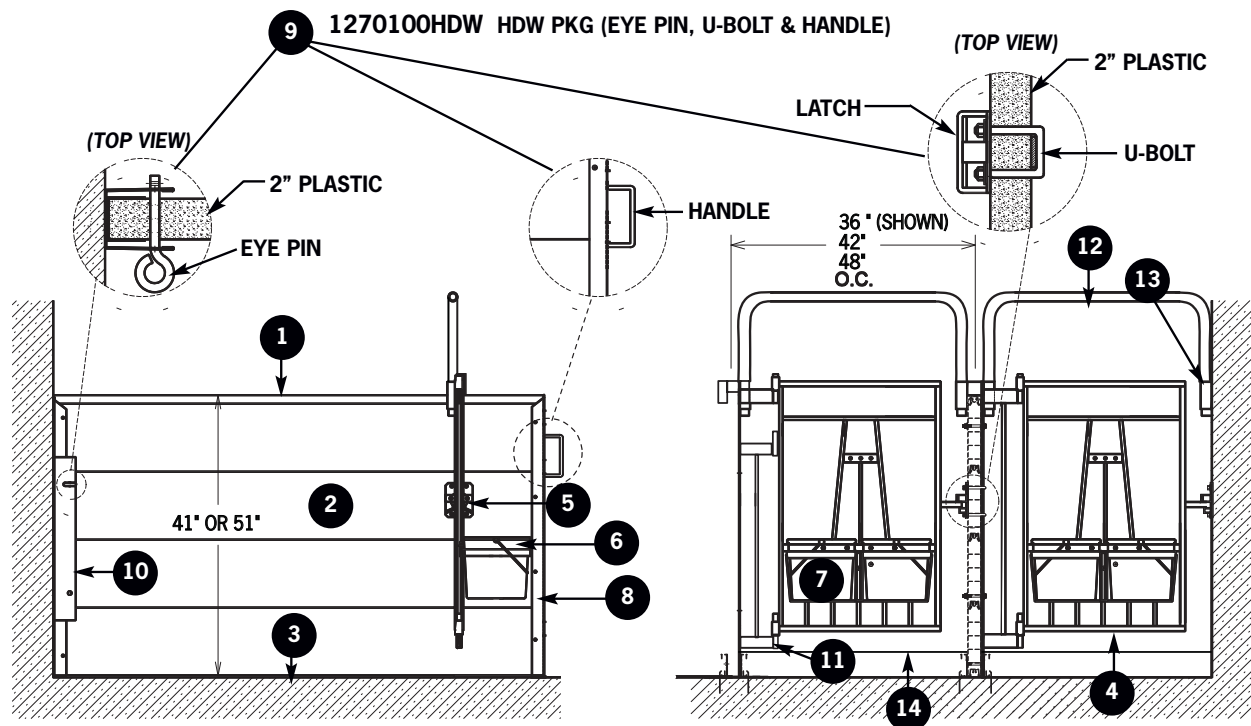
COMFY CALF SUITES - HOOP STYLE






Congratulations on the purchase of Comfy Calf Suites! These instructions will guide you through the installation process and identify parts and accessories so please read through them and save them for future reference.

ILLUS.	DESCRIPTION	PART #
1	PLASTIC CAP 1.5" X 72" (OR 96" LG)	2013130-72 / 2013130-96
2	PLASTIC PLANK 10" X 72" LG (OR 96" LG)	2013030-72 / 2013030-96
3	BOTTOM PLUG / PLANK 20' LG (cut to size)	2013220
4	GALVANIZED 24" FRONT (2 HOLE) (36" OC PEN)	1241136
	GALVANIZED 30" FRONT (2 HOLE) (42" OC PEN)	1241142
	GALVANIZED 36" FRONT (2 HOLE) (48" OC PEN)	1241148
5	GALVANIZED 2-WAY CALF LATCH	1240100
6	GALVANIZED DBL PAIL HOLDER ONLY	1241210A
7	PLASTIC CALF PAIL (WHITE)	1235033
8	STAINLESS STEEL CALF CHANNEL (20 GA) 41" HIGH	1240041
	51" HIGH	1240051
9	HDW PKG (HOOP SUITE) INCL U-BOLT, EYE PIN & HANDLE	1270100HDW
10	STAINLESS STEEL 24" MOUNT CHANNEL / CALF SUITE	1240226
11	HINGE STRAP / CALF SUITE - 41" LG	1275241
	51" LG	1275251
12	33" OD CALF ARCH (36" O.C. PEN)	1290136
	(42" O.C. PEN)	1290142
	(48" O.C. PEN)	1290148
13	FORMED CLAMP (1" PIPE) (FOR ROW END ONLY)	2060260
14	GALVANIZED 32 3/4" RETAINER CHANNEL (36" OC PEN)	1240264-36
	GALVANIZED 38 3/4" RETAINER CHANNEL (42" OC PEN)	1240264-42
	GALVANIZED 44 3/4" RETAINER CHANNEL (48" OC PEN)	1240264-48

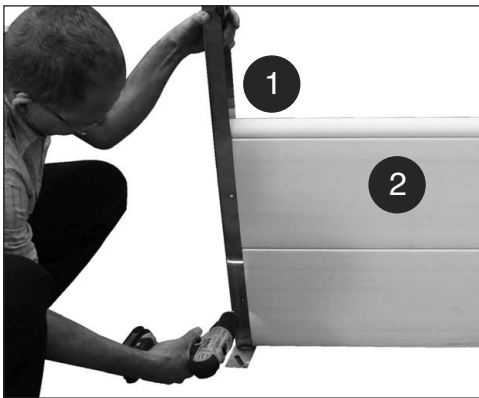
ILLUSTRATION 1



INSTALLATION:

- Step #1:  Install handle to front channel (2 flange nuts on outside and 2 nylon locks on inside of channel). ***TIGHTEN***. Snap planks together for dividers.
TIP: Slide hoop strap onto divide before putting channels on planks.
Install front and back channels, then snap on top cap. Drill through plastic with a 1/4" bit, then fasten channels with 1/4" x 2 1/2" hex bolts.
- Step #2:  Install hoop strap to divider panel approximately 10" from the front with 3/8" x 3" hex bolts and 2" square washers and lock nut which are to be installed on the plank side. Fasten the 24" SS channels to the back wall at **EXACTLY** 48"OC, 42"OC or 36"OC to match your front gates.
TIP: When mounting hoop straps, note which way your gate will swing out for animal flow.
Note: With our 2-way latch, you can always open gate into the pen.
- Step #3: Slide divider into the back 24" channel and drill 1/2" hole through divider, then attach divider to 24" channel with removable eye pin.
- Step #4:  Install front gate and block post up so it is level, locate latch and mark hole locations. Drill 4 through holes to mount latch with 2 square U-bolts (around hoop strap and through holes in divider plank).
TIP: Add 2 more 9/16" holes on latch side only to countersink the nuts of the latch.
- Step #5: Install pail holder with 2 washers per bolt between front and pail holder.
Step #6: Install **OPTIONAL** accessories (shown on back page).

VENTED BACK WALL INSTALLATION:



Step #1: Lag one channel post where you are starting your back wall.

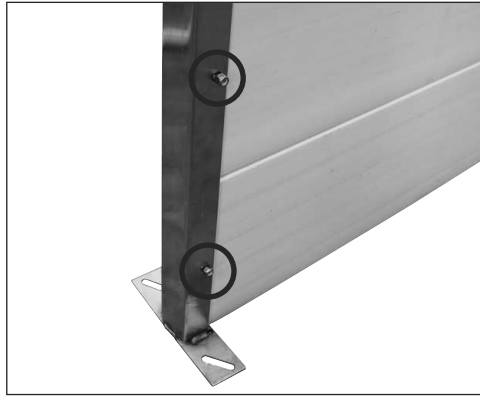
Step #2: Snap together two back wall planks. Snap top cap on the planks.



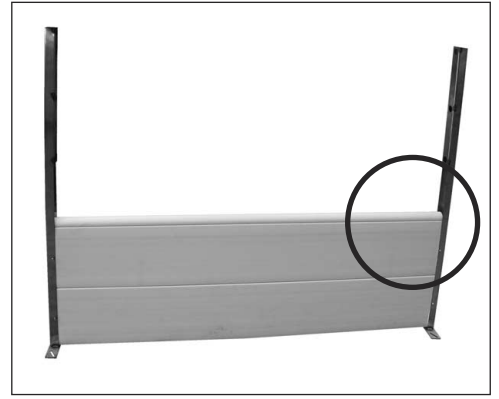
Step #3: Slide the planks into the channel post



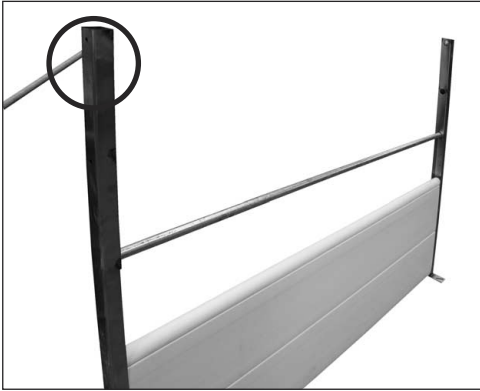
Step #4: Drill into plastic planks with 1/4" bit. (Make sure to start the hole coming from the front and the back. Don't try to go all the way through. You may not line the drill up with the hole on the backside.)



Step #5: Fasten 1/4" x 2 - 2 1/2" hex bolt and tighten.



Step #6: Slide the other channel post on to the other end of the plank. (Do not fasten to post yet.)



Step #7: Slide the rails in the holes at the tip of the posts.



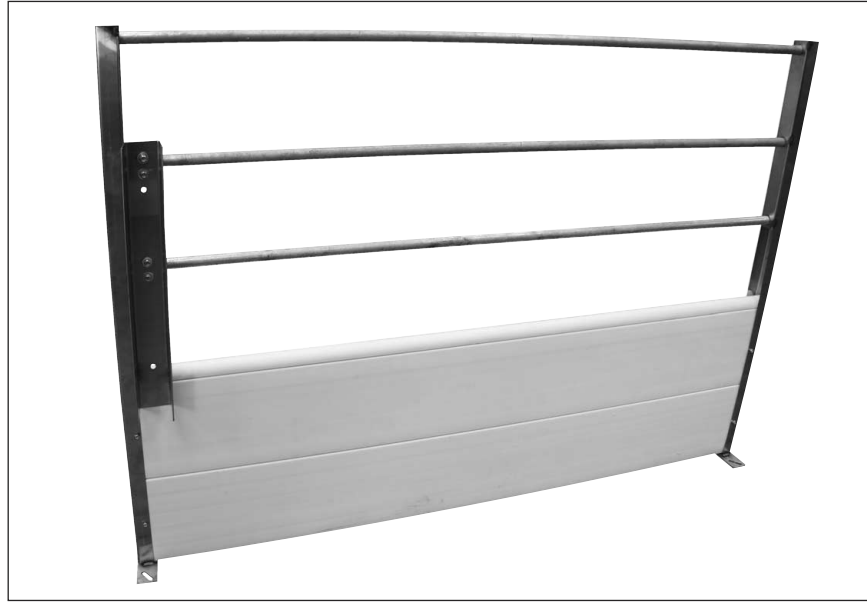
Step #8: Repeat step #4 and #5 and drill holes and fasten with bolts.



Step #9: Attach receiving channel with U-Bolts. (The channel should be attached to the bottom rails and on the inside of the calf suite)



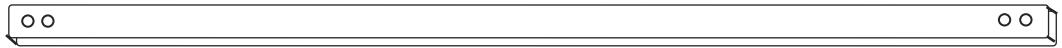
FINISHED VENTED BACK WALL



COMFY CALF SUITES - HOOP STYLE PARTS:

1241120

CALF HEAD HOLE REDUCER

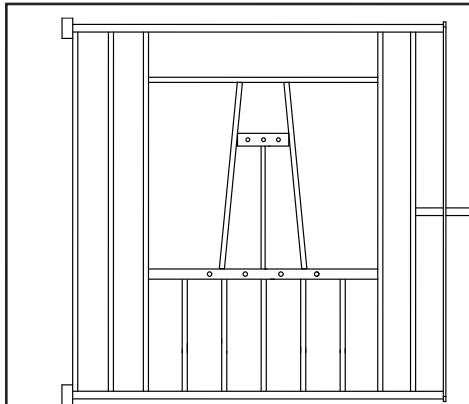


1240041

41" SS CHANNEL

1240051

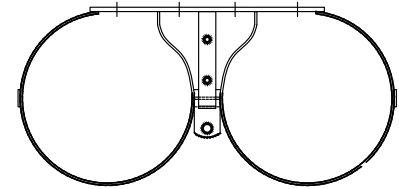
51" SS CHANNEL



1241136 36" OC CALF FRONT (24" LG)

1241142 42" OC CALF FRONT (30" LG)

1241148 48" OC CALF FRONT (36" LG)



1241210A PAIL HOLDER ONLY

1270100HDW
HDW PKG/HOOP SUITE INCL HANDLE

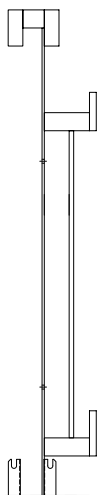
PART #	DESCRIPTION	QTY
124025A	HANDLE ONLY 5" I.D X 2.125" LG	1
1240221	ULTRASEAL EYEBOLT 3 3/4" LG	1
1270260	SQUARE U-BOLT US 1.75" ID X 3" LG 3/8	2
HP4	HAIR PIN (HP4)	1
BOL3/8 - 3H	+3/8 - 16 X 3 HEXBOLT US	2
BOL3/8 - 11/4H	+3/8 - 16 X 11/4 HEXBOLT US	2
NUT3/8FL	3/8" - 16 FLANGE NUT ULTRASEAL	2
NUT3/8LN	3/8 - 16 N.I. LOCK NUT, US	11
WAS3/8	+3/8" FLAT WASHER	7
BOL1/4 - 21/2HSS	1/4 - 20 X 2 - 1/2 SS HEX BOLT	6
NUT1/4LSS	1/4 - 20 N.I. LOCK NUT SS 304	7
1270101	2" X 2" GALV WASHER	2

1275241

41" HINGE STRAP/
HOOP SUITE

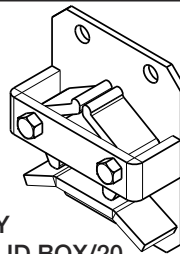
1275251

51" HINGE STRAP/
HOOP SUITE



1240100

GALV 2-WAY LATCH ONLY
20-620 - U-BOLTS 1 5/8" ID BOX/20
(U-BOLTS NOT INCLUDED)



PART #	DESCRIPTION
2013030-72	10" HIGH PLANK X 72" LG
2013030-96	10" HIGH PLANK X 96" LG
2013130-72	TOP CAP X 72" LG
2013130-96	TOP CAP X 96" LG
CALFCARD-50	PKG OF 50 CALF SUITE RECORD CARDS
1235033	PLASTIC CALF PAIL (WHITE)

1290136

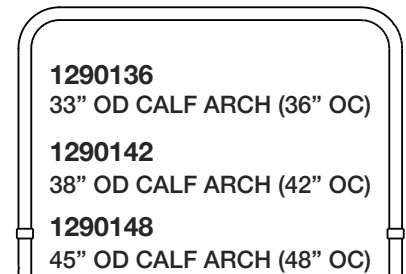
33" OD CALF ARCH (36" OC)

1290142

38" OD CALF ARCH (42" OC)

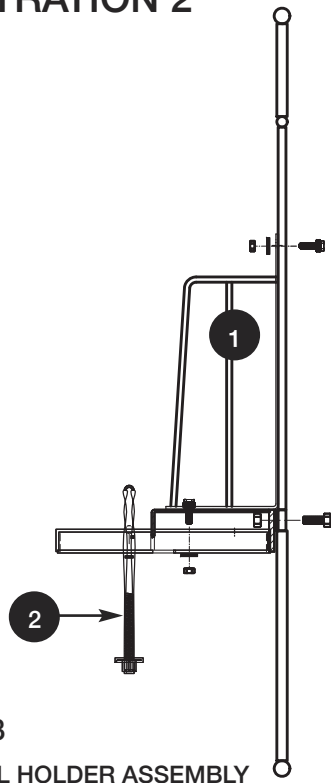
1290148

45" OD CALF ARCH (48" OC)



OPTIONAL ACCESSORIES

ILLUSTRATION 2



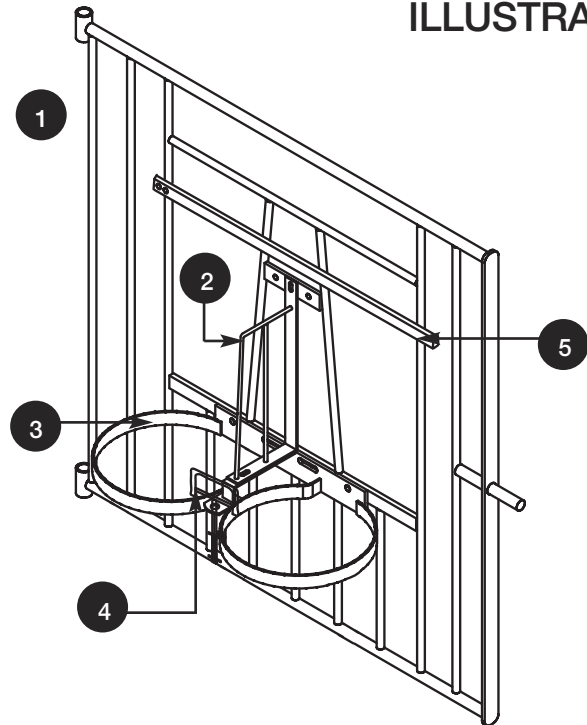
1241148

CALF PAIL HOLDER ASSEMBLY

ILLUS.	DESCRIPTION	PART #	QTY
1	SW CALF FRONT	1241148	1
2	1 PC STAINLESS STEEL PAIL DIVIDER + HDW	1241280SS-ND	1
3	GALV. DBL PAIL HOLDER ONLY	1240210A	1
4	CALF PAIL HOLD DOWN ASSEMBLY	1241011	1
5	CALF HOLE REDUCER	1241120	1

ILLUS.	DESCRIPTION	PART #
1	1 PC STAINLESS STEEL PAIL DIVIDER + HDW	1241280SS-ND
2	CALF PAIL HOLD DOWN ASSEMBLY	1241011

ILLUSTRATION 3



ONE PIECE STAINLESS PAIL DIVIDER

(1241280SS-ND) (Item #1 in above diagram)

Step #1: Insert bolts through holes in pail holder.

Step #2: Fasten nut and washer.

SS CALF PAIL HOLD DOWN (NO ANGLE)

(1241011) (Item #4 in above diagram)

Step #1: Remove nut washer and spring.

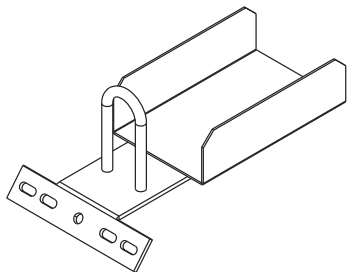
Step #2: Install hold down through hole in pail holder.

Step #3: Install spring, washer and nut.

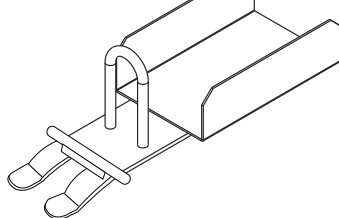


REMEMBER TO PUT TWO WASHER SPACERS BETWEEN PAIL HOLDER & FRONT

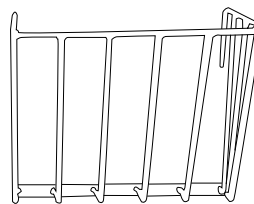
1240235-3
BOLT ON BOTTLE HOLDER



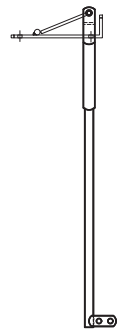
1241235
QUICK INSTALL BOTTLE HOLDER



1235030
HAY FEEDER



1240245PK
MANUAL LOCK



Please visit www.comfycalfsuites.com for more information on our Comfy Calf Suites and www.canarm.com for detailed information on all our Dairy and Ventilation products.

CANARM LTD. - Corporate Office
PO Box 367 2157 Parkedale Ave.,
Brockville, ON
Canada K6V 5V6
Tel: (613) 342-5424 Fax: 1-800-263-4598

Arthur Manufacturing Facility
#7686 Concession 16, RR 4
Arthur, ON
Canada N0G 1A0
Tel: (519) 848-3910 Fax: (519) 848-3948

CANARM LTD. - USA Warehouse
808 Commerce Park Drive
Ogdensburg, New York,
USA 13669
Tel: 1-800-267-4427 Fax: 1-800-263-4598

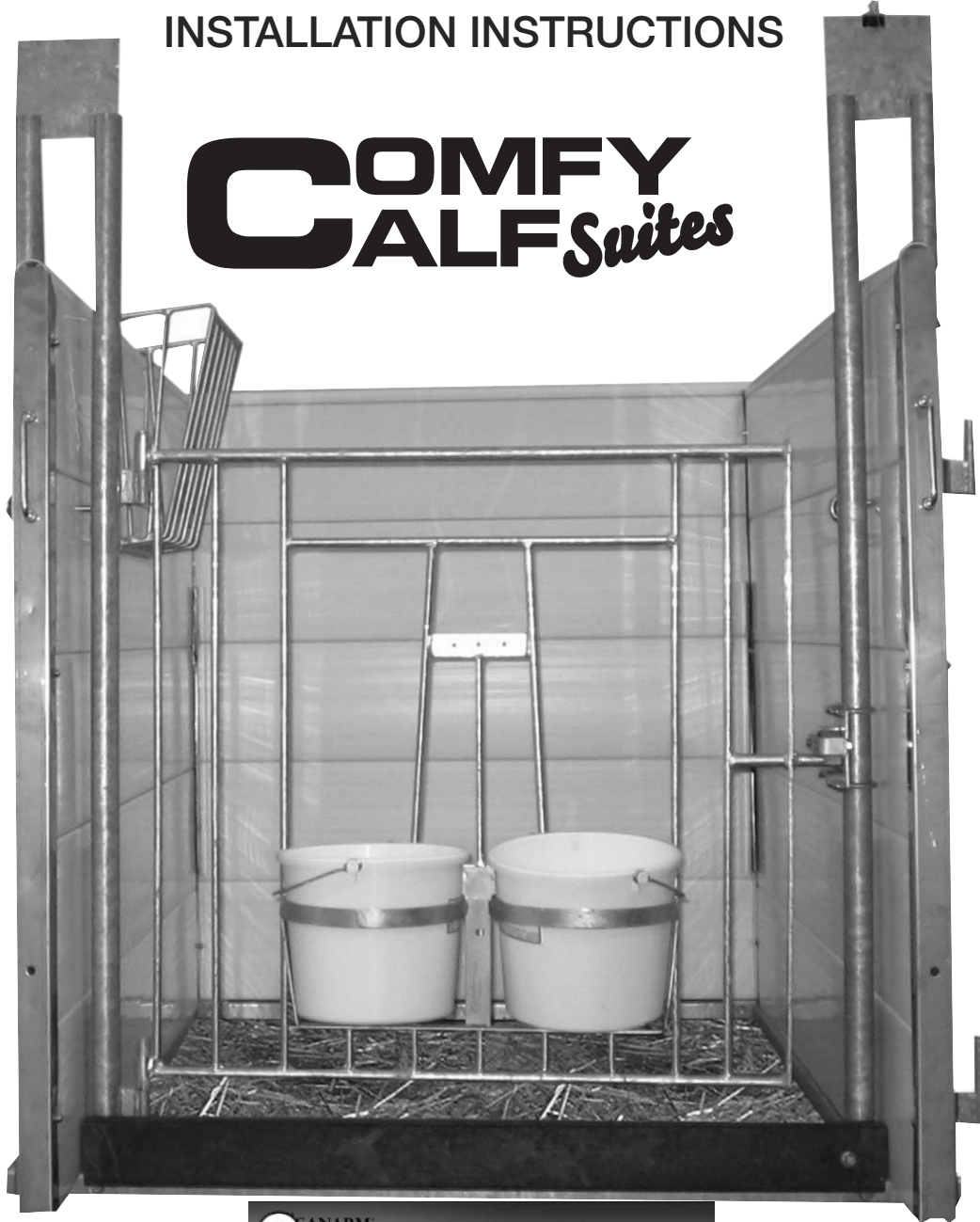
www.canarm.com

www.canarm.com/comfycalfsuites

POST STYLE COMFY CALF SUITES

INSTALLATION INSTRUCTIONS

COMFY CALF *Suites*



See COMFY CALF SUITES
in action.
Visit our YouTube channel, our
product page or scan the QR code.



YouTube



Installation or product problems? Call 1-800-260-5314

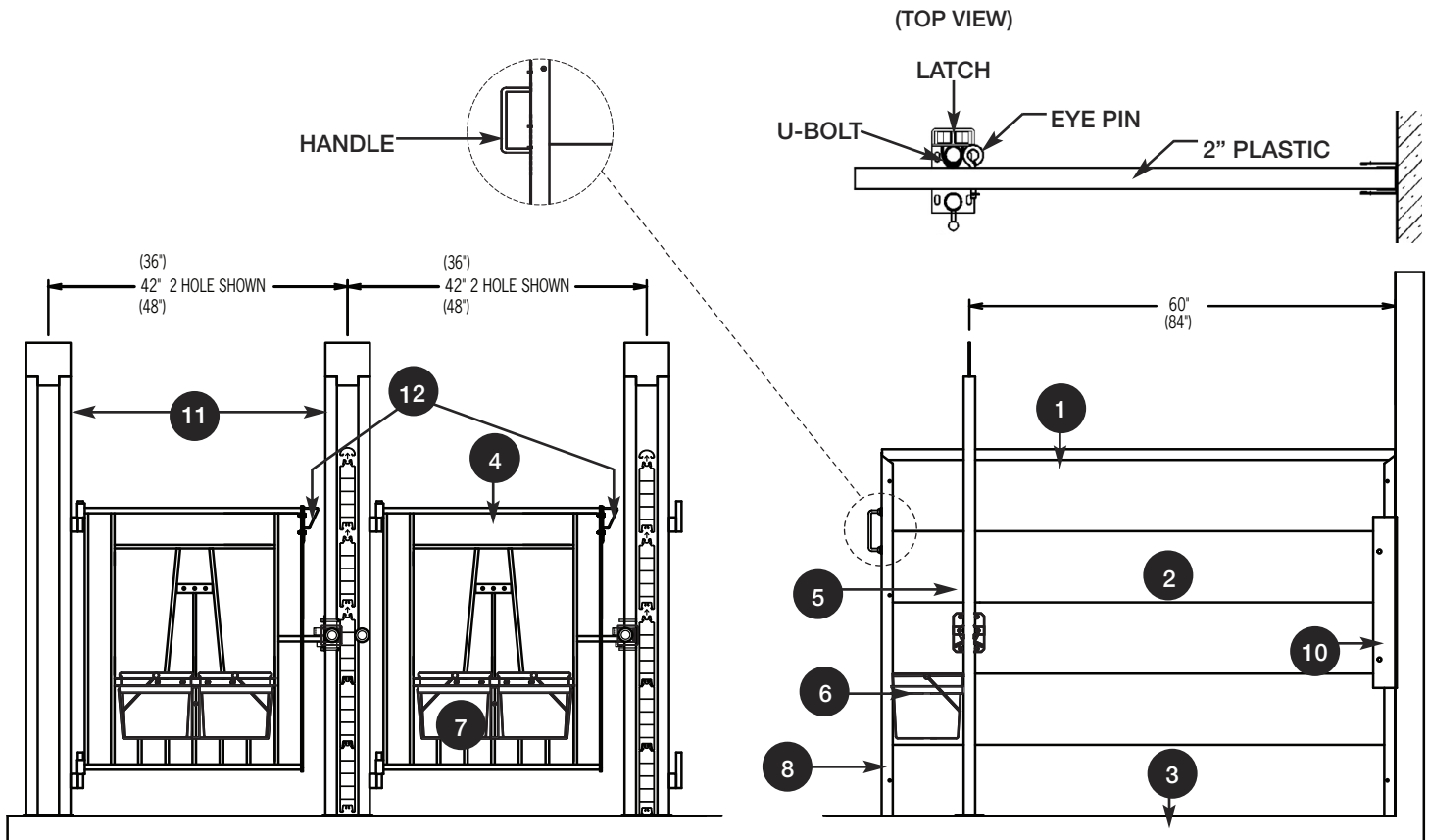
COMFY CALF SUITES - POST STYLE



Congratulations on the purchase of Comfy Calf Suites! These instructions will guide you through the installation process and identify parts and accessories so please read through them and save them for future reference.

ILLUS.	DESCRIPTION	PART #
1	PLASTIC CAP 1.5" X 72" (OR 96" LG)	2013130-72 / 2013130-96
2	PLASTIC PLANK 10" X 72" LG (OR 96" LG)	2013030-72 / 2013030-96
3	BOTTOM PLUG / PLANK 20' LG (cut to size)	2013220
4	GALVANIZED 24" FRONT (2 HOLE) (36" OC PEN)	1241136
	GALVANIZED 30" FRONT (2 HOLE) (42" OC PEN)	1241142
	GALVANIZED 36" FRONT (2 HOLE) (48" OC PEN)	1241148
5	GALVANIZED 2-WAY CALF LATCH	1240100
6	GALVANIZED DBL PAIL HOLDER ONLY	1241210A
7	PLASTIC CALF PAIL (WHITE)	1235033
8	STAINLESS STEEL CALF CHANNEL (20 GA) 41" HIGH	1240041
	51" HIGH	1240051
9	HDW PKG (POST SUITE) INCL U-BOLT, EYE PIN & HANDLE	1240100HDW
10	STAINLESS STEEL 24" MOUNT CHANNEL / CALF SUITE	1240226
11	60" GALVANIZED DOUBLE CALF SUITE POST	1240200
12	CALF SUITE BOLT ON GAP FILLER	1240222

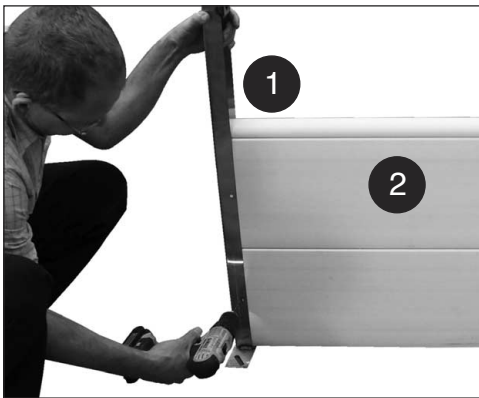
ILLUSTRATION 1 9 1240100HDW HDW PKG (EYE PIN, U-BOLT & HANDLE)



INSTALLATION:

- Step #1: Install handle to front channel (2 flange nuts on outside and 2 nylon locks on inside of channel). ***TIGHTEN***. Snap planks together for dividers, install front and back channels, then snap on top cap. Drill through plastic with a 1/4" bit, then fasten channels with 1/4" x 2 1/2" hex bolts.
- Step #2: Anchor front posts to floor and 24" SS channels to the back wall at EXACTLY 48"OC, 42"OC OR 36"OC to match your fronts.
- !** **TIP:** When mounting posts, note which way your gate will swing out for animal flow.
Note: With our 2-way latch, you can always open gate into the pen.
- Step #3: Slide divider panel between double post and into the back channel. Drill 1/2" hole just behind the post and insert eye pin to keep the divider in place.
- Step #4: Install front gate and block post up so it is level, then attach latch to post with 2 U-bolts.
- Step #5: Install pail holder with 2 washers per bolt between front and pail holder.
- Step #6: Install OPTIONAL accessories (shown on back page).

VENTED BACK WALL INSTALLATION:

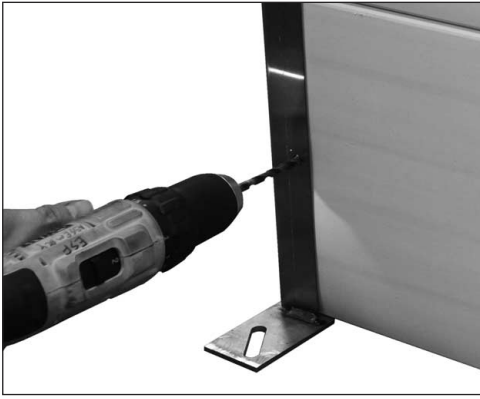


Step #1: Lag one channel post where you are starting your back wall.

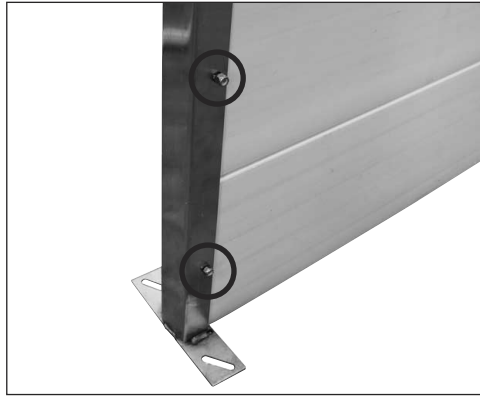
Step #2: Snap together two back wall planks. Snap top cap on the planks.



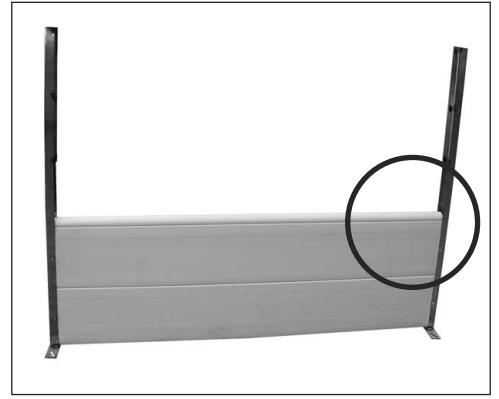
Step #3: Slide the planks into the channel post.



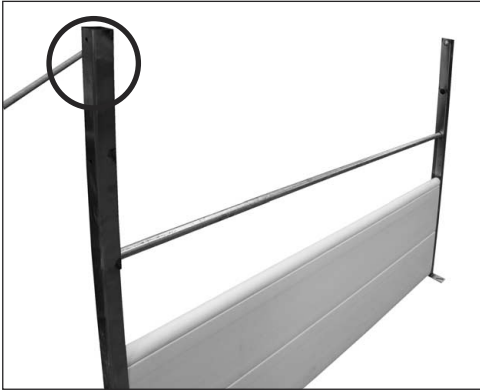
Step #4: Drill into plastic planks with ¼” bit. (Make sure to start the hole coming from the front and the back. Don’t try to go all the way through. You may not line the drill up with the hole on the backside.)



Step #5: Fasten ¼” x 2 - 2½” hex bolt and tighten.



Step #6: Slide the other channel post on to the other end of the plank. (Do not fasten to post yet.)



Step #7: Slide the rails in the holes at the tip of the posts.



Step #8: Repeat step #4 and #5 and drill holes and fasten with bolts.



Step #9: Attach receiving channel with U-Bolts. (The channel should be attached to the bottom rails and on the inside of the calf suite)



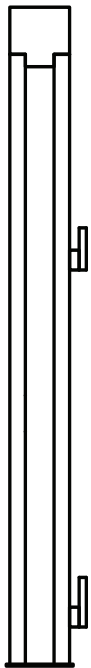
FINISHED VENTED BACK WALL



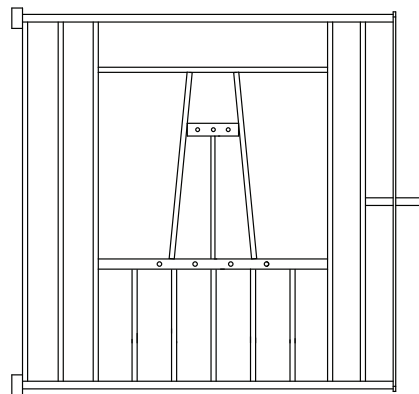
COMFY CALF SUITES - POST STYLE PARTS:

1241120

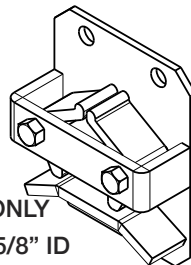
CALF HEAD HOLE REDUCER



1240200
GALV 60" DBL POST BOLT DOWN



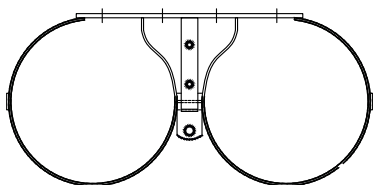
1241136 36" OC CALF FRONT (24" LG)
1241142 42" OC CALF FRONT (30" LG)
1241148 48" OC CALF FRONT (36" LG)



1240100
GALV 2-WAY LATCH ONLY
20-620 - U-BOLTS 1 5/8" ID
BOX/20
(U-BOLTS NOT INCLUDED)



1240041 41" SS CHANNEL
1240051 51" SS CHANNEL



1241210A PAIL HOLDER ONLY

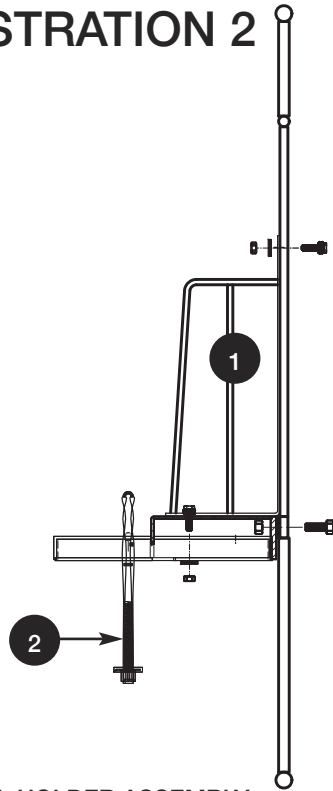
PART #	DESCRIPTION
2013030-72	10" HIGH PLANK X 72" LG
2013030-96	10" HIGH PLANK X 96" LG
2013130-72	TOP CAP X 72" LG
2013130-96	TOP CAP X 96" LG
CALFCARD-50	PKG OF 50 CALF SUITE RECORD CARDS
1235033	PLASTIC CALF PAIL (WHITE)

1240100HDW
HDW PKG/POST SUITE INCL HANDLE

PART NUMBER	DESCRIPTION	QTY
2060892	CARD HOLDER CLIP	1
1240250A	HANDLE ONLY 5" I.D. X 2.125" LG	1
20-6A	U-BOLT ONLY 1/75" IDX 2 9/16" L	2
1240221	ULTRASEAL EYEBOLT 3 3/4" LG	1
HP4	HAIR PIN (HP4)	1
BOL3 / 8-11 / 4H	+3/8 - 16 X 11/4 HEXBOLT US	2
NUT3 / 8FL	3/8" - 16 FLANGE NUT ULTRASEAL	2
NUT3 / 8LN	3/8 - 16 N.I. LOCK NUT, US	9
WAS3 / 8	+3/8" FLAT WASHER, US	4
BOL1 / 4 - 21 / 2HSS	1 / 4 - 20 X 2 - 1 / 2 SS HEXBOLT	6
NUT1 / 4LSS	1 / 4 - 20 N.I. LOCK NUT SS 304	7

OPTIONAL ACCESSORIES

ILLUSTRATION 2



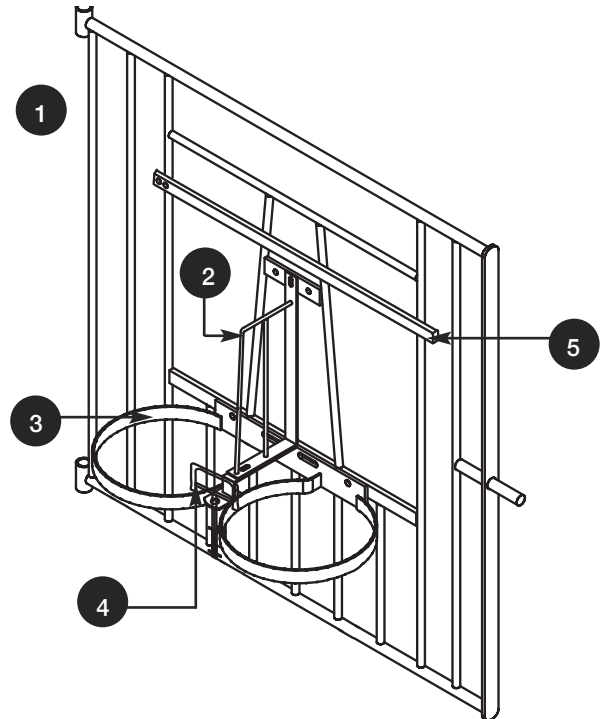
1241148

CALF PAIL HOLDER ASSEMBLY

ILLUS.	DESCRIPTION	PART #
1	1 PC STAINLESS STEEL PAIL DIVIDER + HDW	1241280SS-ND
2	CALF PAIL HOLD DOWN ASSEMBLY	1241011

ILLUSTRATION 3

ILLUS.	DESCRIPTION	PART #	QTY
1	SW CALF FRONT	1241148	1
2	1 PC STAINLESS STEEL PAIL DIVIDER + HDW	1241280SS-ND	1
3	GALV. DBL PAIL HOLDER ONLY	1240210A	1
4	CALF PAIL HOLD DOWN ASSEMBLY	1241011	1
5	CALF HOLE REDUCER	1241120	1



ONE PIECE STAINLESS PAIL DIVIDER (1241280SS-ND) (Item #1 in above diagram)

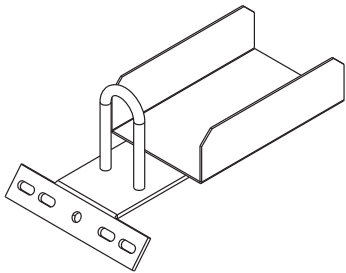
Step #1: Insert bolts through holes in pail holder.
Step #2: Fasten nut and washer.

SS CALF PAIL HOLD DOWN (NO ANGLE) (1241011) (Item #4 in above diagram)

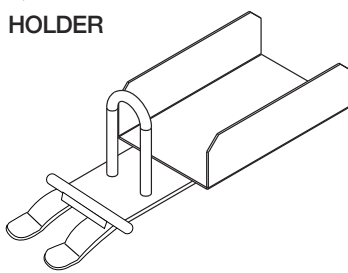
Step #1: Remove nut washer and spring.
Step #2: Install hold down through hole in pail holder.
Step #3: Install spring, washer and nut.

! REMEMBER TO PUT TWO WASHER SPACERS BETWEEN PAIL HOLDER & FRONT

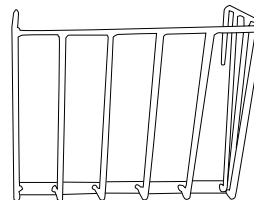
1240235-3
BOLT ON BOTTLE HOLDER



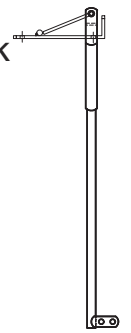
1241235
QUICK INSTALL BOTTLE HOLDER



1235030
HAY FEEDER



1240245PK
MANUAL LOCK



CANARM LTD. - Corporate Office
PO Box 367 2157 Parkedale Ave.,
Brockville, ON
Canada K6V 5V6
Tel: (613) 342-5424 Fax: 1-800-263-4598

Arthur Manufacturing Facility
#7686 Concession 16, RR 4
Arthur, ON
Canada N0G 1A0
Tel: (519) 848-3910 Fax: (519) 848-3948

CANARM LTD. - USA Warehouse
808 Commerce Park Drive
Ogdensburg, New York,
USA 13669
Tel: 1-800-267-4427 Fax: 1-800-263-4598