



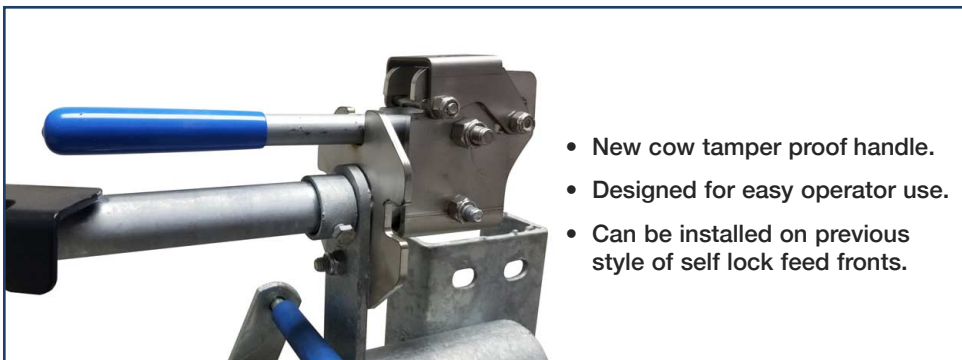
FEATURES

- Quick & easy individual or group lock and release.
- Available in 8', 10' or 12'.
- Counterweight system ensures swingers stay open when empty.
- Strong, durable, hot dipped galvanized metal for extreme longevity.
- Dual action swinger provides safe operation for cattle.
- Completely customizable.

Save time and increase animal comfort when handling your cows, heifers and calves with Canarm AgSystems' Open Top Self Locking Feed Fronts. They ensure cow health & safety with individual panic release buttons on each headlock. Lock all your cows down at once or individually to easily identify and treat them in one location. Our unique counterweight system ensures your stalls stay open when empty.

QUIET

**SUPERIOR
COW HEALTH
AND SAFETY**



- New cow tamper proof handle.
- Designed for easy operator use.
- Can be installed on previous style of self lock feed fronts.



Proudly
Made in Canada

CANARM LTD. - Corporate Office
PO Box 367 2157 Parkedale Ave.,
Brockville, ON
Canada K6V 5V6
Tel: (613) 342-5424 Fax: 1-800-263-4598

Arthur Manufacturing Facility
#7686 Concession 16, RR 4
Arthur, ON
Canada N0G 1A0
Tel: (519) 848-3910 Fax: (519) 848-3948

Montréal Warehouse
2555 Rue Bernard Lefebvre
Laval, PC
Canada H7C 0A5
Tel: (450) 655-2535 Fax: (450) 665-0910

CANARM LTD. - USA Warehouse
808 Commerce Park Drive
Ogdensburg, New York,
USA 13669
Tel: 1-800-267-4427 Fax: 1-800-263-4598



SELF LOCKING FEED FRONTS FOR CALVES

FEATURES

- Quick & easy individual or group lock and release.
- Available in 8', 10' or 12'.
- Counterweight system ensures swingers stay open when empty.
- Strong, durable, hot dipped galvanized metal for extreme longevity.
- Dual action swinger provides safe operation for calves.
- Completely customizable.
- For calves up to 6 months old.

ANGLED FEED FRONT

FEATURES

- Designed to reduce feed wastage.
- In order to back out of the angled feed front, the cow must turn its head sideways, making it difficult for the animal to pull feed through the openings into the pen.
- Uprights are clamped, therefore the neck openings can be easily adjusted to the exact size required.
- Also available with welded uprights.
- Options available for all stages of development.



ADJUSTABLE RAIL BRACKET

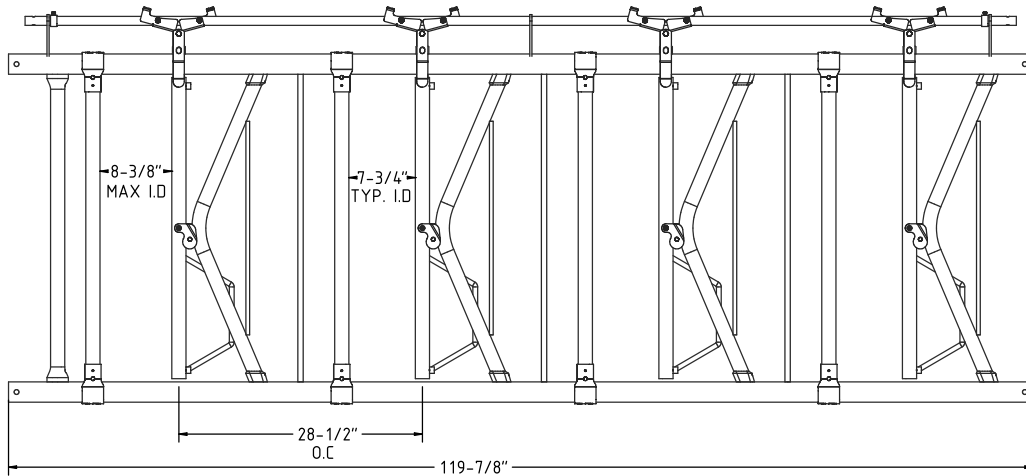
FEATURES

- Cost efficient.
- Adjustable to meet the needs of your cows.
- Open concept for your cows.
- May be removed at a later date and self locking feed front installed on existing posts.



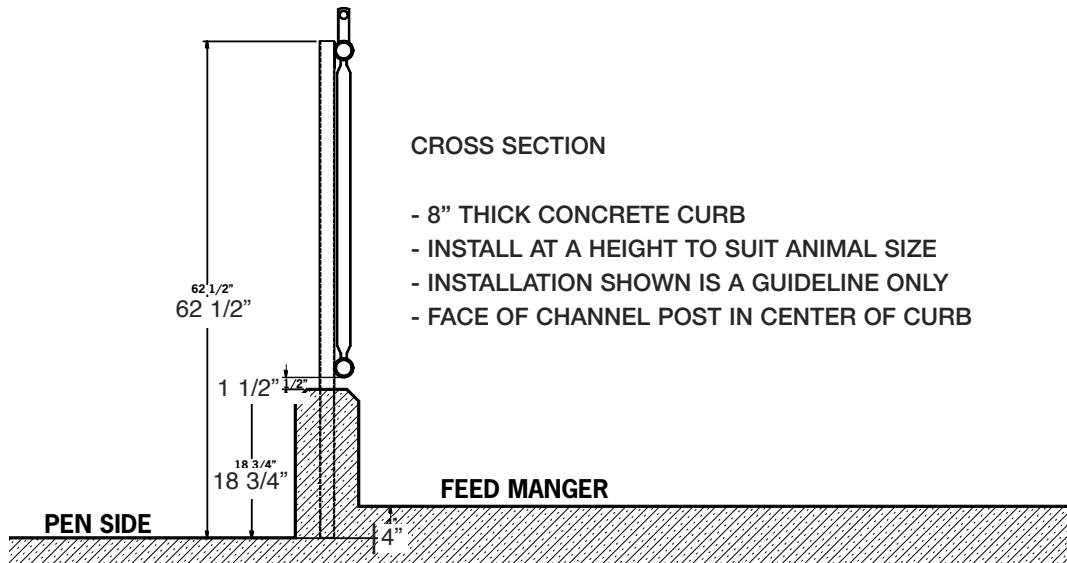
8' SELF LOCK - 1380008 (3 OPENINGS)
12' SELF LOCK - 1380012 (5 OPENINGS)

10' SELF LOCK - 1380010 (4 OPENINGS)



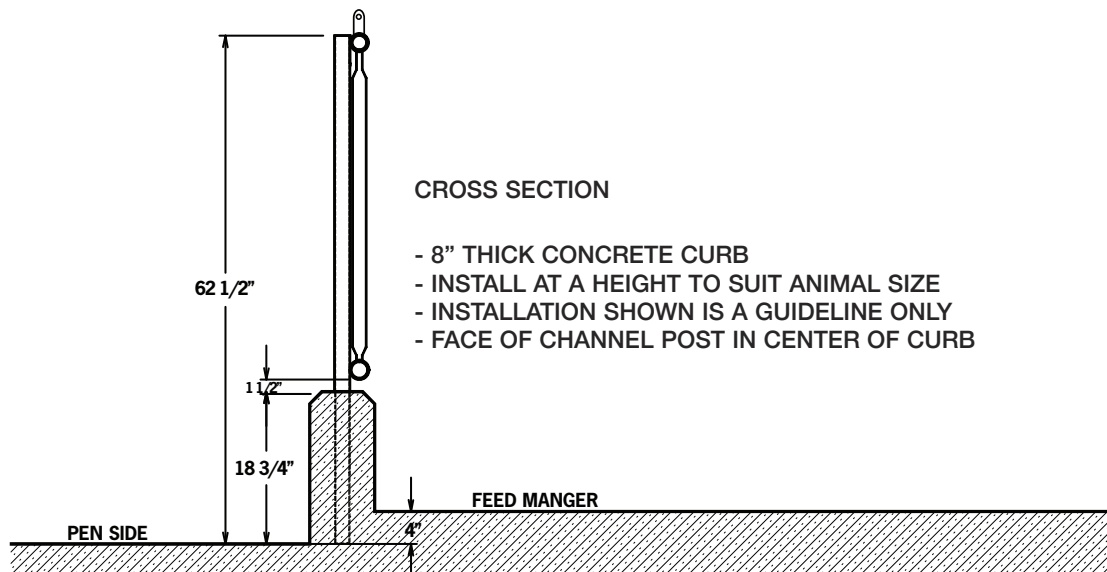
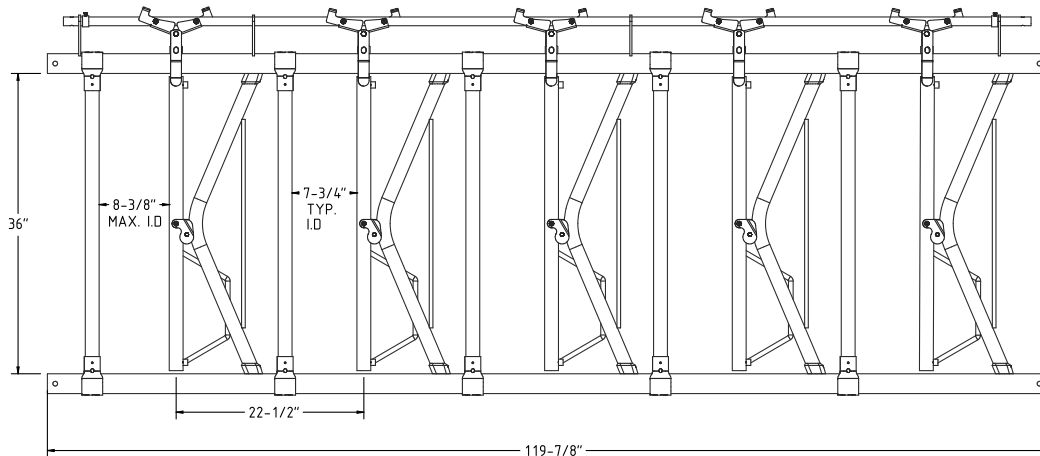
CROSS SECTION

- 8" THICK CONCRETE CURB
- INSTALL AT A HEIGHT TO SUIT ANIMAL SIZE
- INSTALLATION SHOWN IS A GUIDELINE ONLY
- FACE OF CHANNEL POST IN CENTER OF CURB



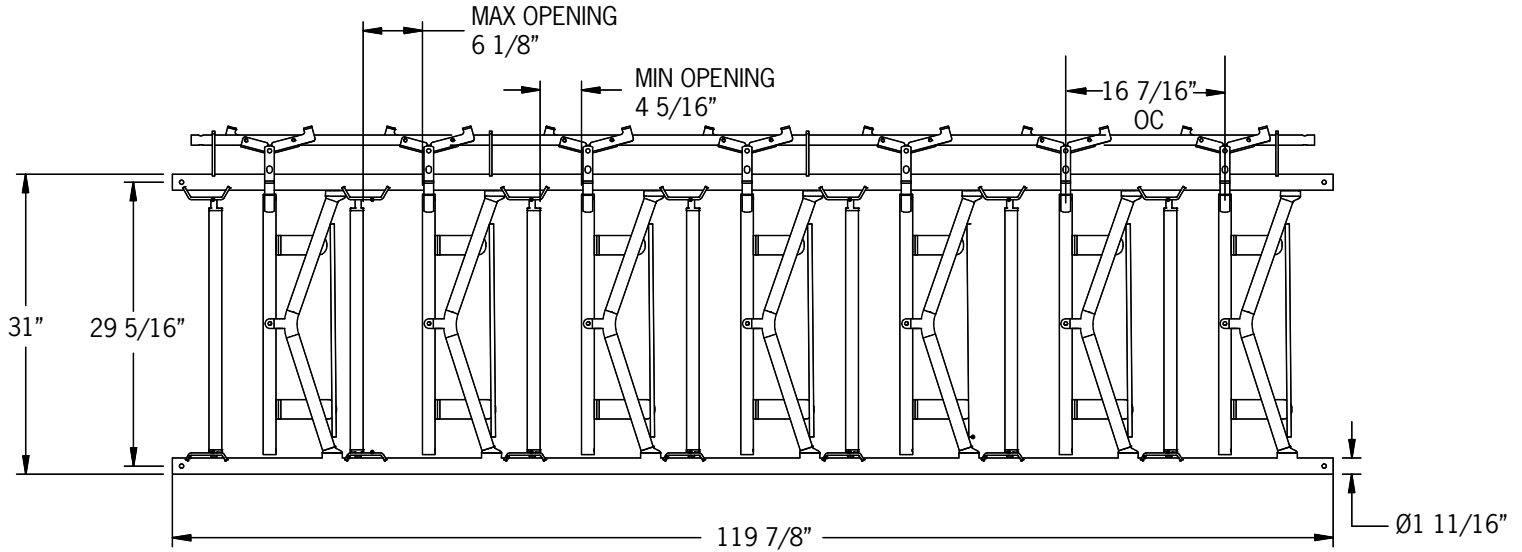
8' SELF LOCK - 1370008 (4 OPENINGS)
12' SELF LOCK - 1370012 (6 OPENINGS)

10' SELF LOCK - 1370010 (5 OPENINGS)



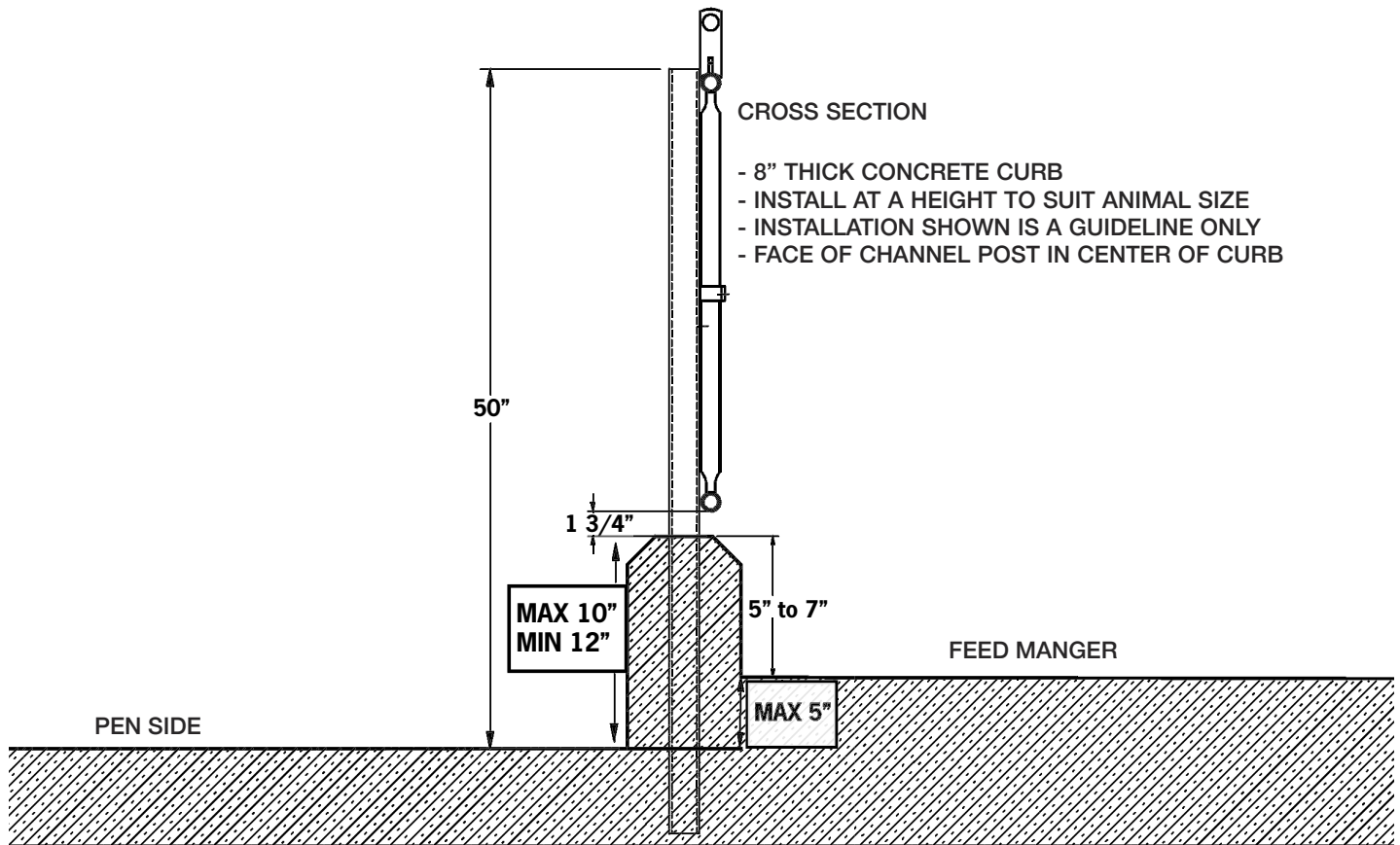
ASSEMBLY

(1360010) 10' SELF LOCK FRONT

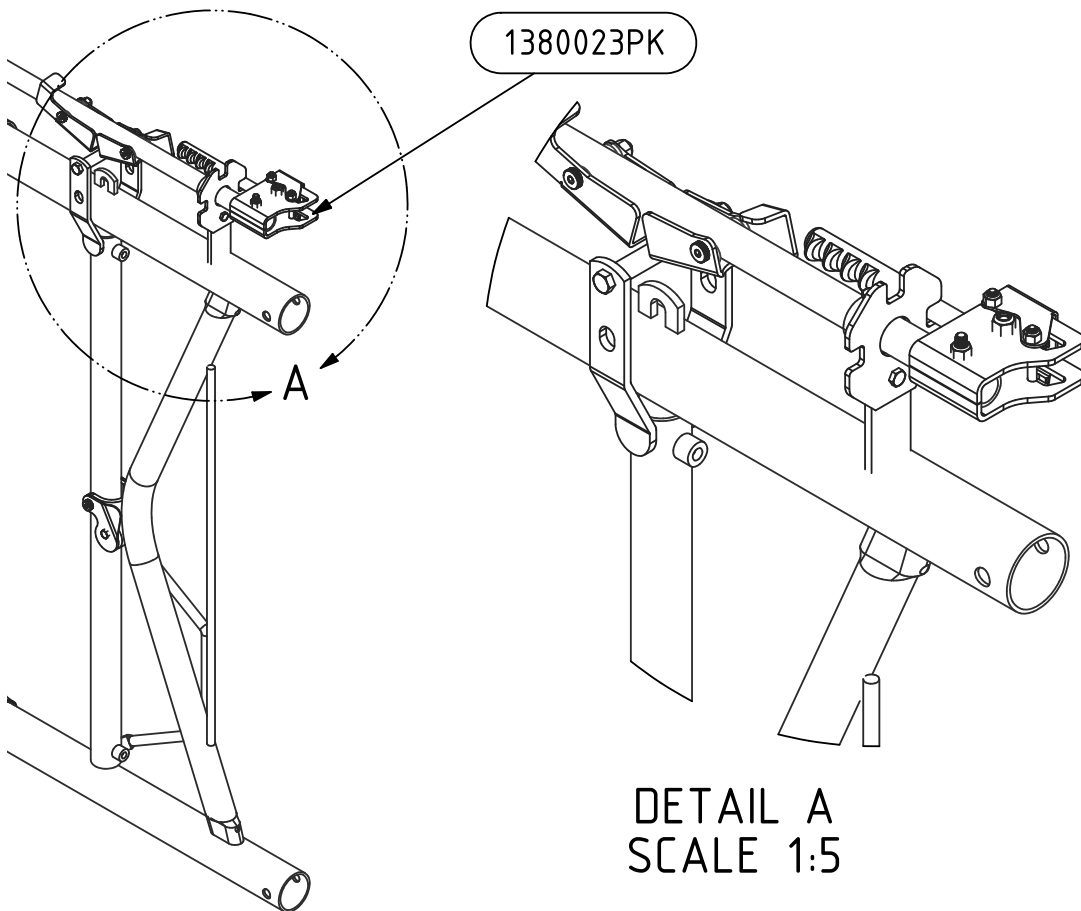


CROSS SECTION

- 8" THICK CONCRETE CURB
- INSTALL AT A HEIGHT TO SUIT ANIMAL SIZE
- INSTALLATION SHOWN IS A GUIDELINE ONLY
- FACE OF CHANNEL POST IN CENTER OF CURB



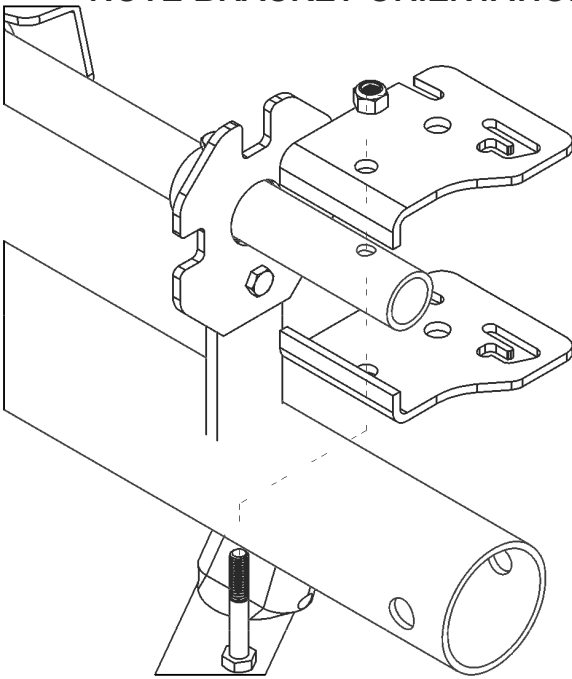
SELF LOCK HANDLE



INSTALLATION INSTRUCTIONS

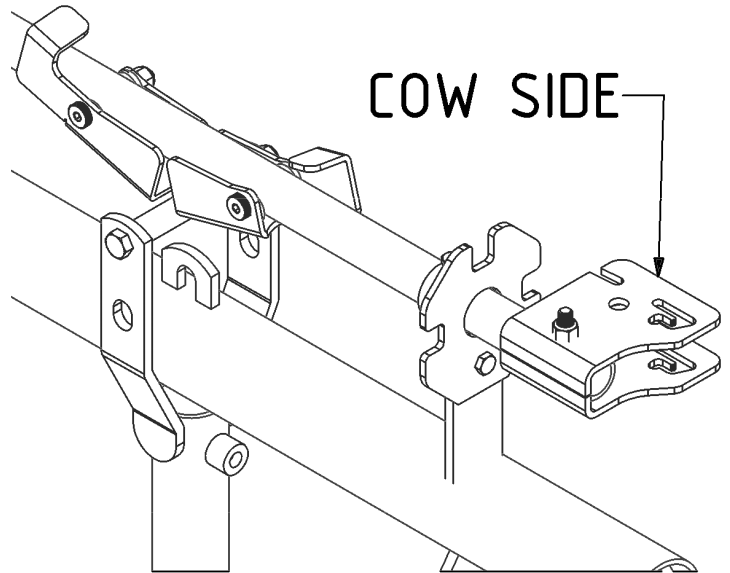
STEP #1

NOTE BRACKET ORIENTATION

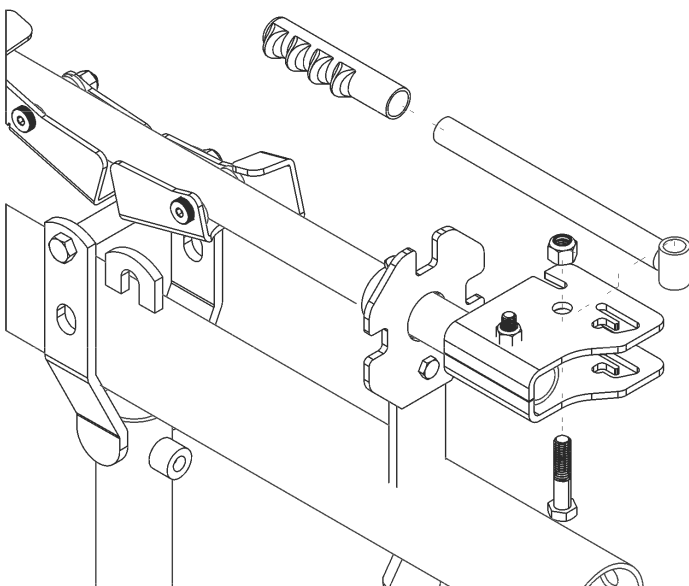


STEP #2

COW SIDE

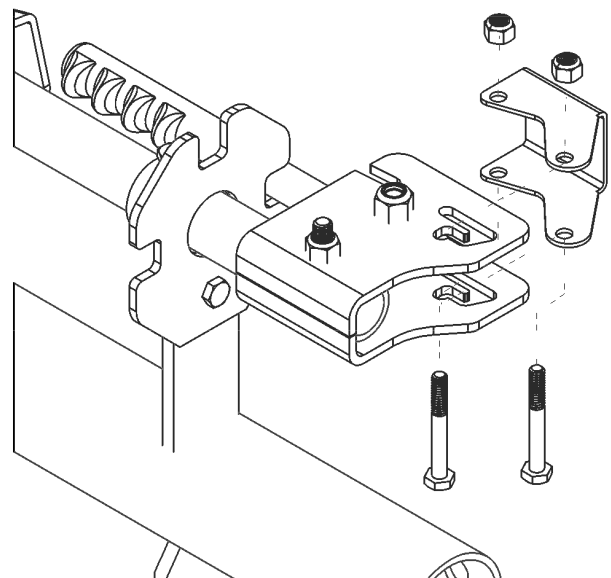


STEP #3

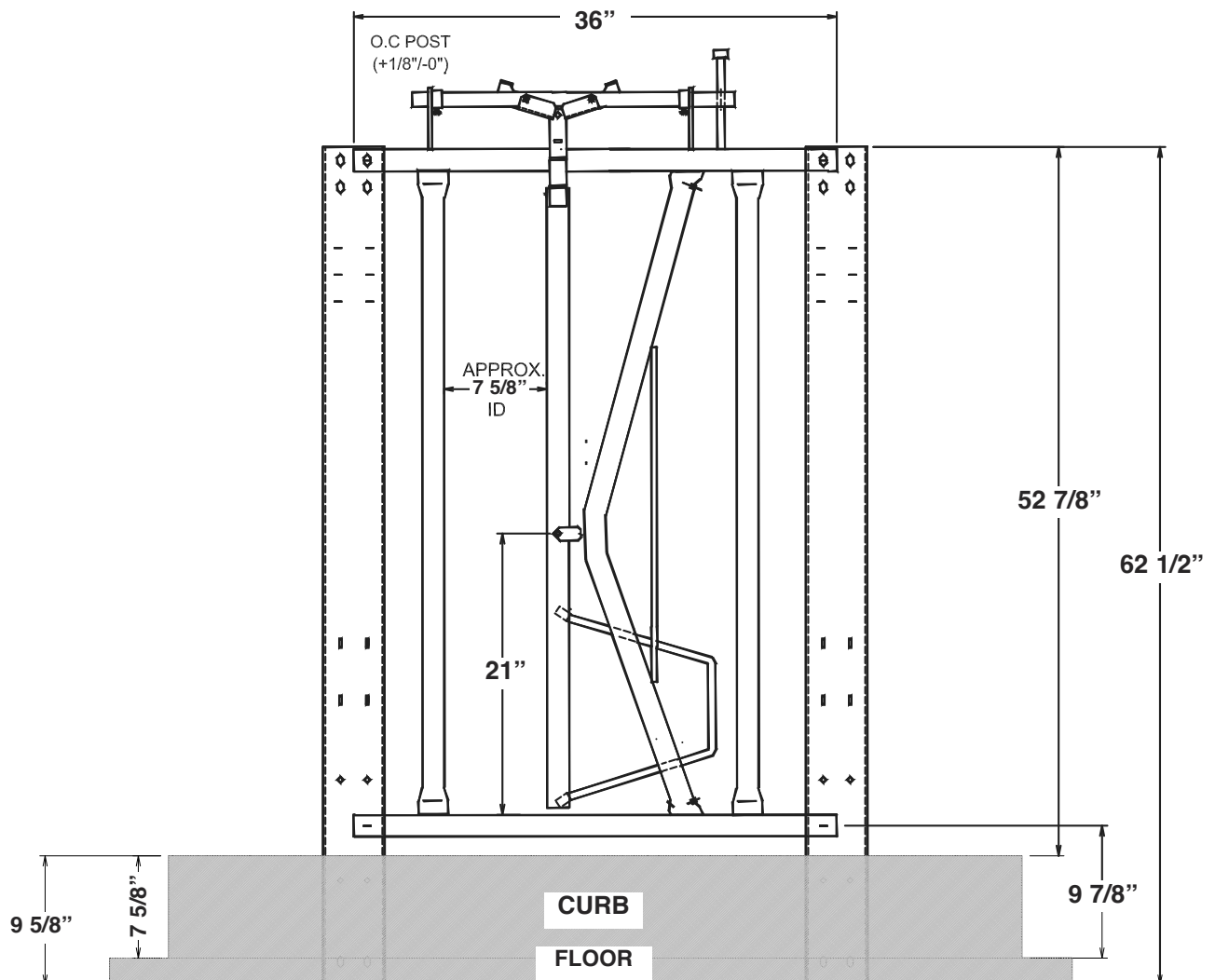


STEP #4

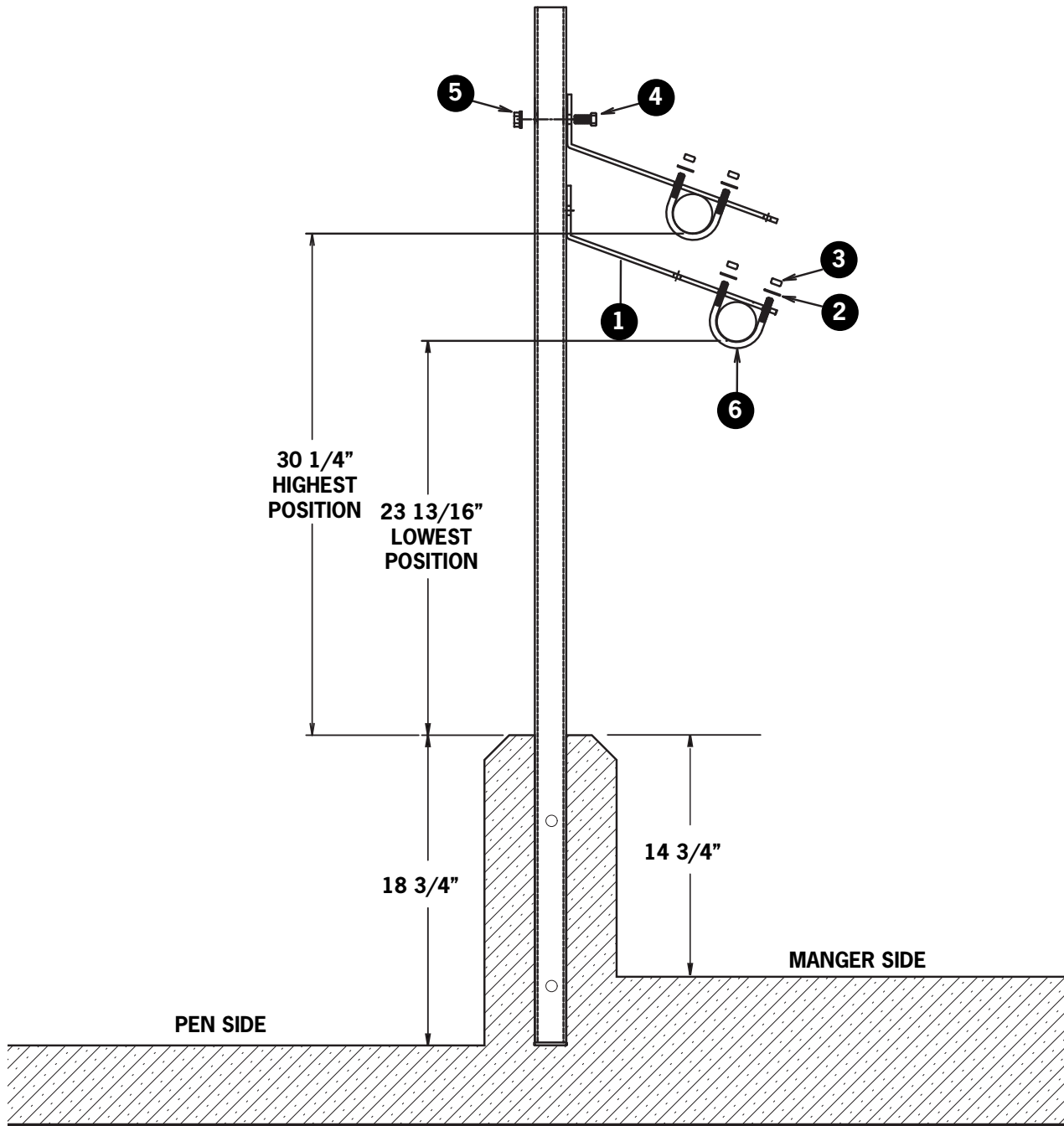
NOTE BRACKET ORIENTATION



1390030



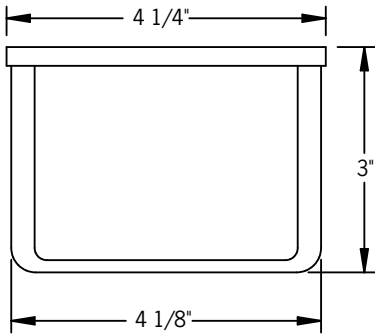
ASSEMBLY



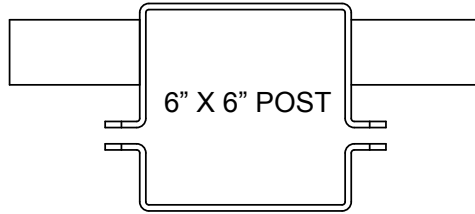
ADJ RAIL BKT - 2 3/8"FL (BX/3) 1316706-3

ILLUS.	DESCRIPTION	QTY/PKG
1	ADJ. RAIL BRACKET	3
2	520 WASHER	12
3	520 WASHER	12
4	BOL 1/2-1 HSS	6
5	NUT 1/2 FSS	6
6	520 U BOLT	6

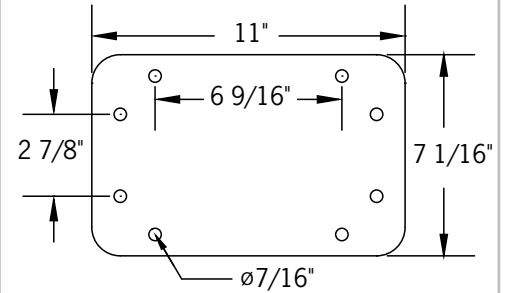
1325123 - 3" SELF CHANNEL POST TOP SPACER



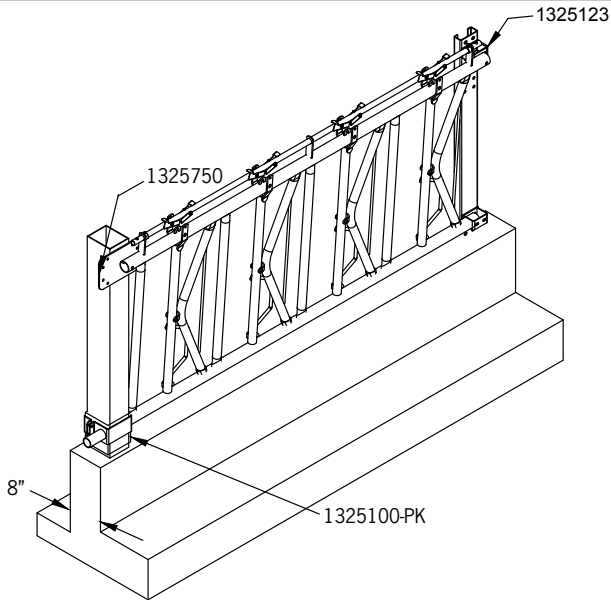
1325100-PK - POST CLAMP FOR SELF ON 6"x 6" POST WITH SLEEVES



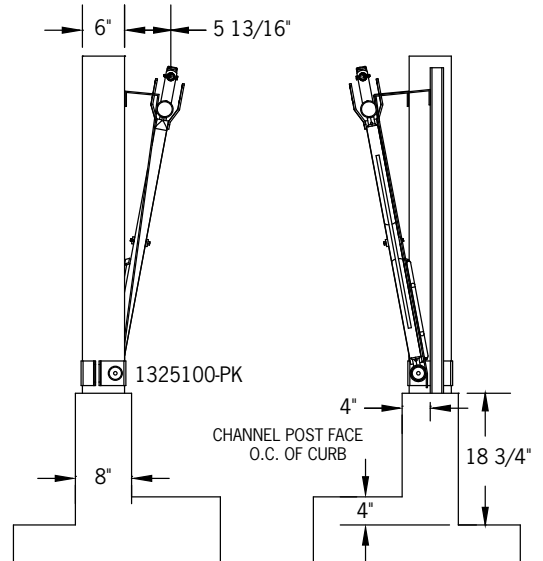
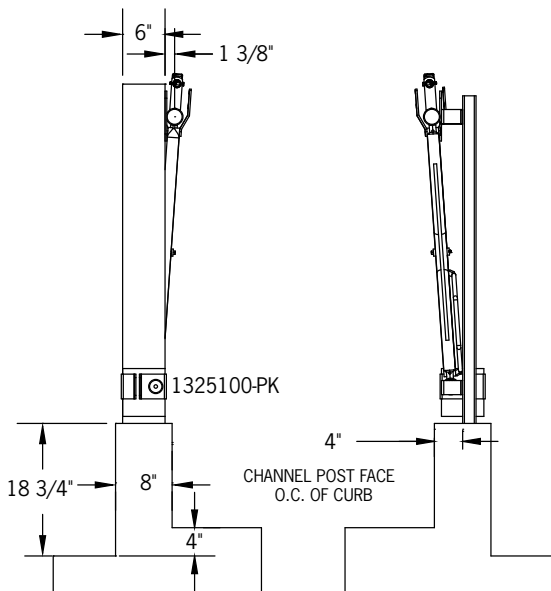
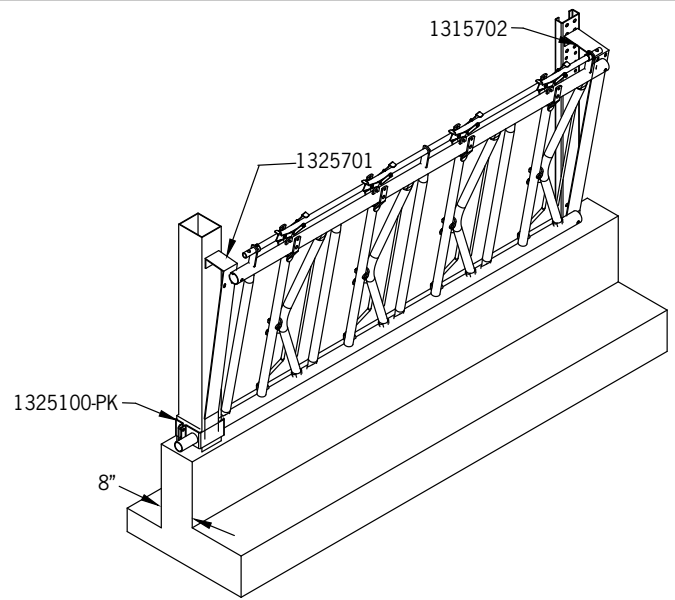
1325750 - GALV SELF MOUNT PLATE FOR 6" POST



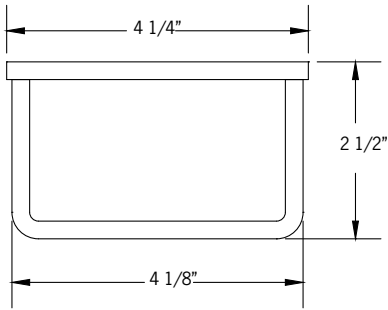
**STRAIGHT MOUNT
6" X 6" POST**



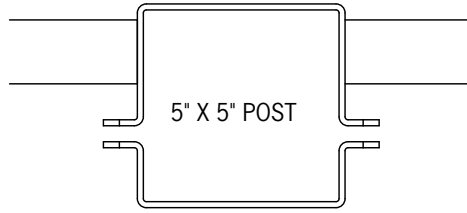
**ANGLE MOUNT
6" X 6" POST**



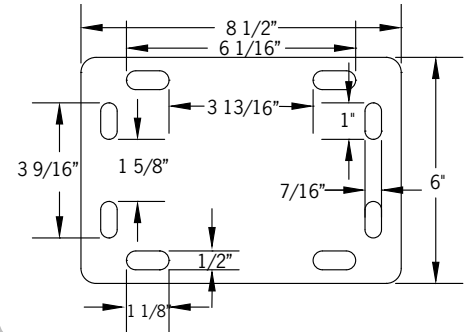
1325122 - 2" SELF CHANNEL POST TOP SPACER



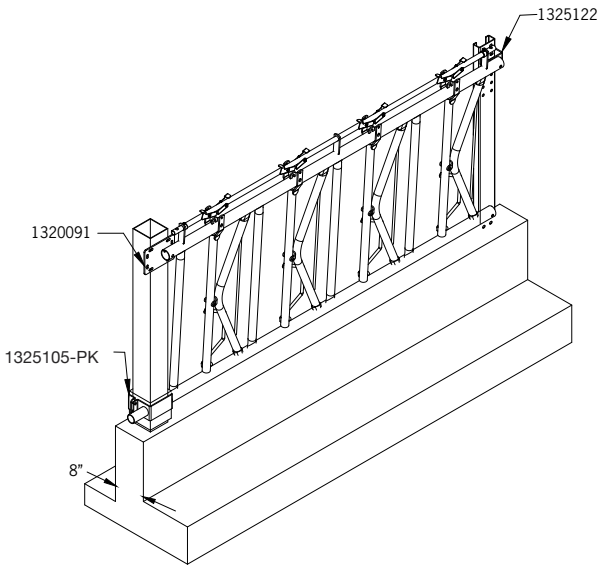
1325105-PK - POST CLAMP FOR SELF ON 5"x 5" POST WITH SLEEVES



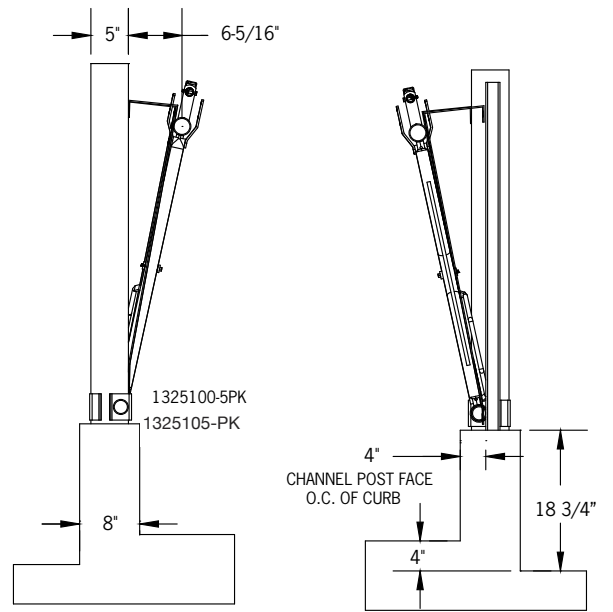
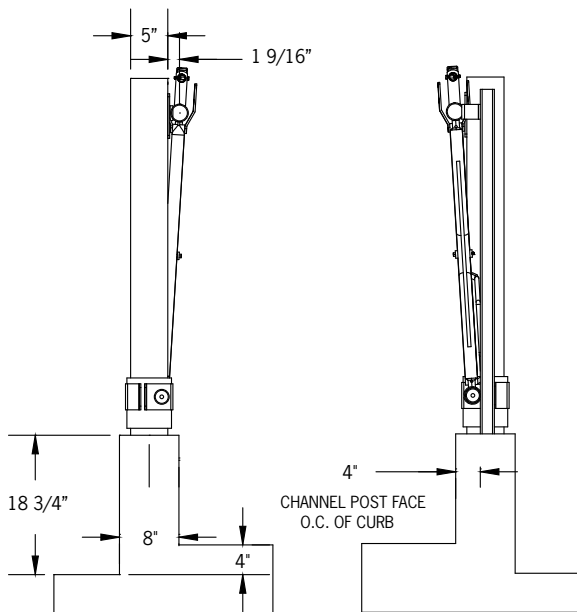
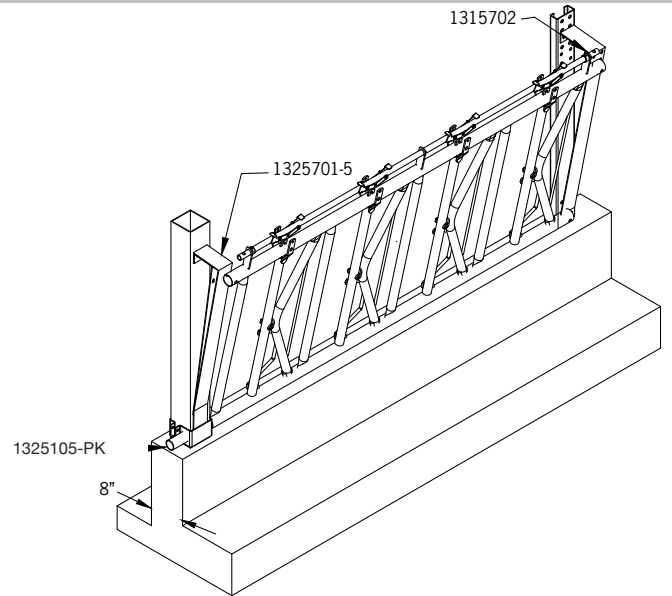
1320091 - GALV SELF MOUNT PLATE FOR 4" OR 5" POST



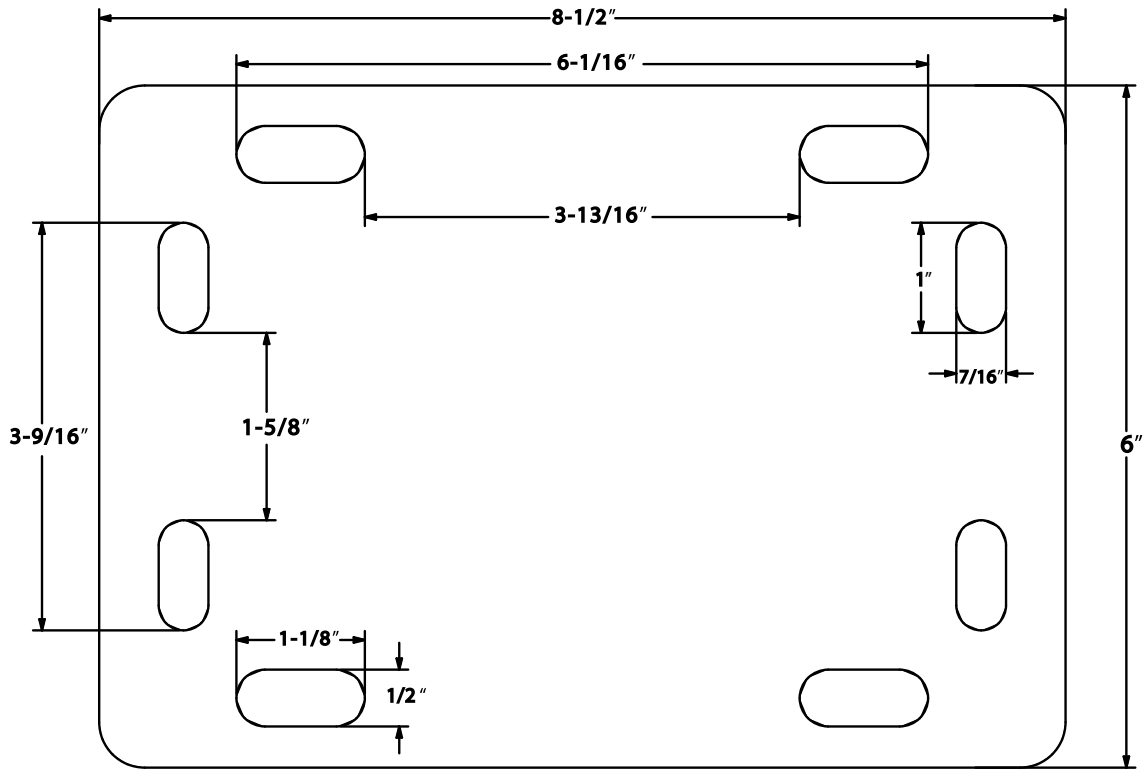
**STRAIGHT MOUNT
5" X 5" POST**



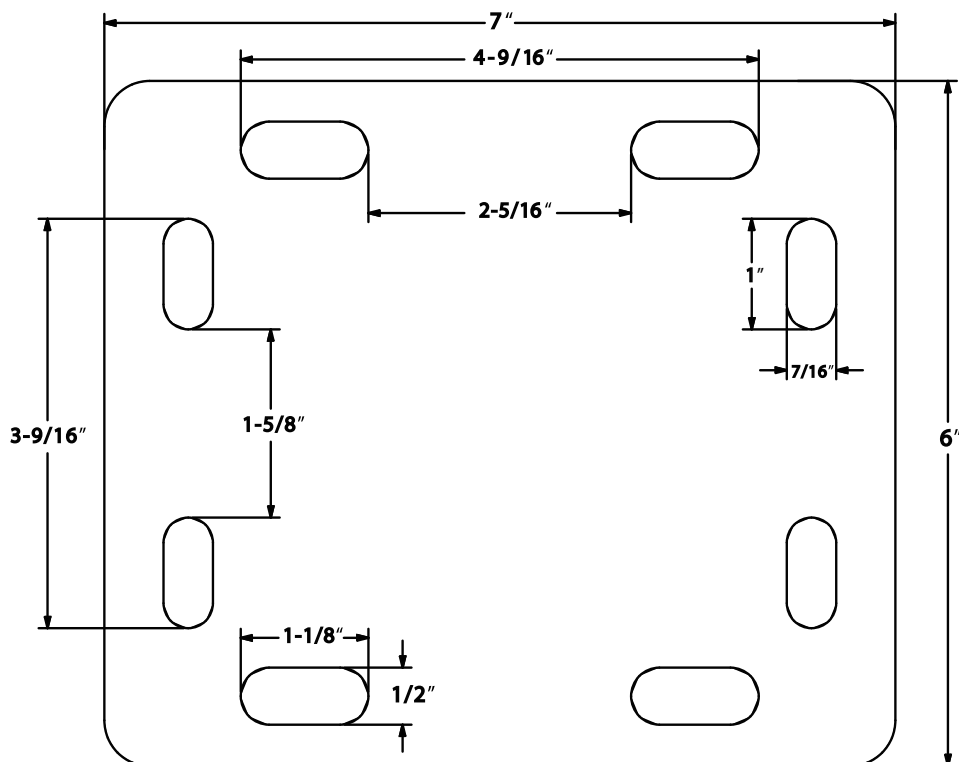
**ANGLE MOUNT
5" X 5" POST**



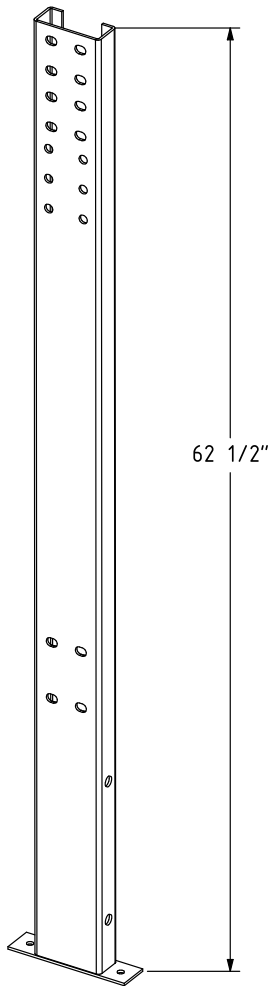
1320091
GALV SLF MOUNT PLATE 4" POST OR 5" POST



1320090
GALV SLF MOUNT PLATE 2 1/2" POST OR 3 1/2" POST



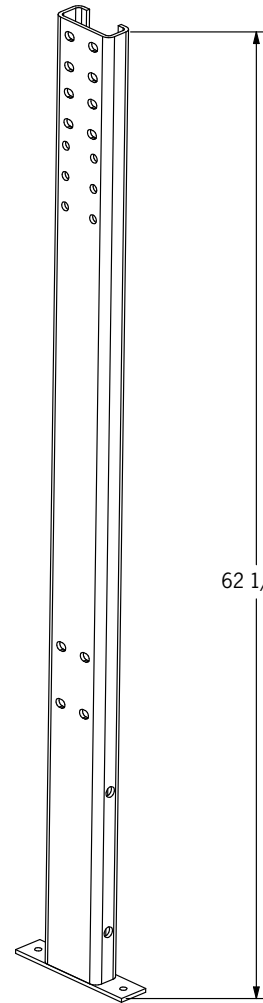
1315700N-09
8 GA. POST & PLATE



NOTE: 4 9/16" WIDE
1 7/8" DEEP

62 1/2"

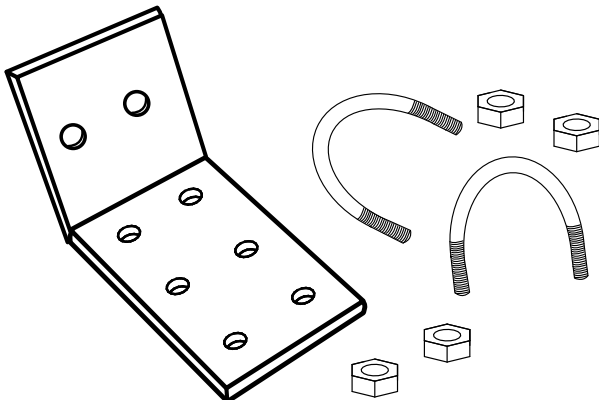
1315700H
1/4" POST & PLATE



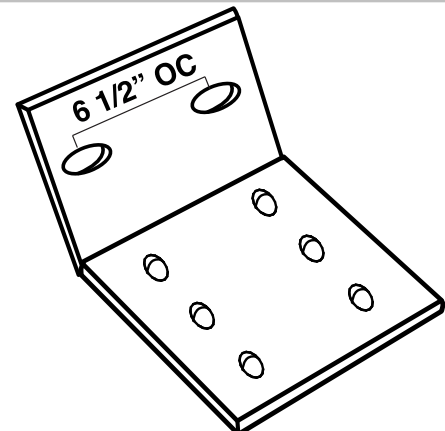
NOTE: 6" WIDE
2" DEEP

62 1/2"

1316706-3 - ADJUSTABLE RAIL BRACKET
(PKG OF 3) (FOR STANDARD CHANNEL POST)

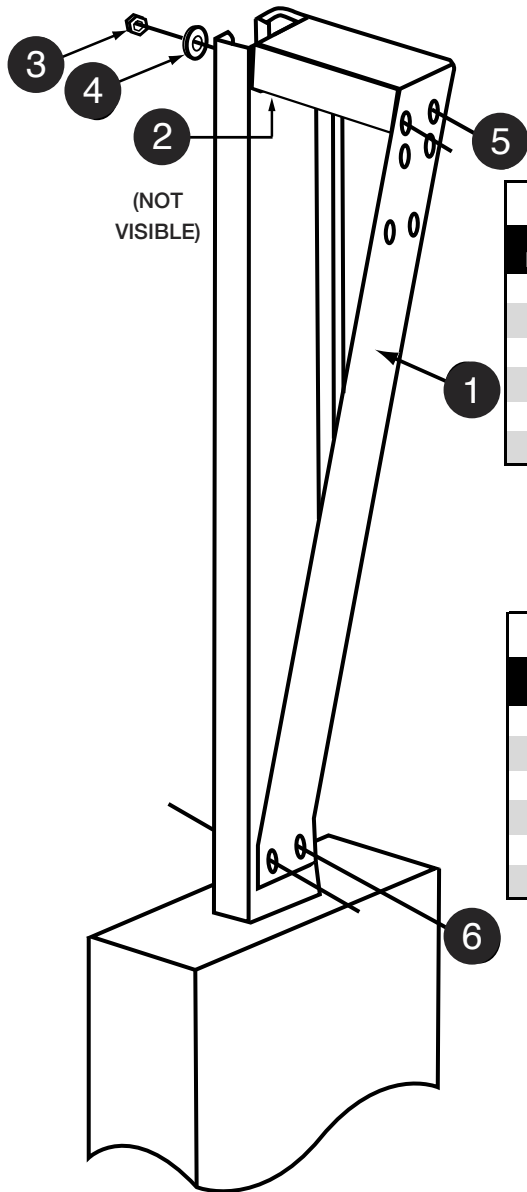


1316707 - ADJUSTABLE RAIL BRACKET -
6 X 6 POST



* ALSO AVAILABLE FOR OTHER POST SIZES

ASSEMBLY



(NOT
VISIBLE)

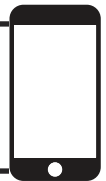
CALF (1315802)

ILLUS.	DESCRIPTION	PART #	QTY
1	S.L.F. CALF ANGLE MOUNT (BKT ONLY)	1315801	1
2	3/8" X 1" CAR, BOLT (not visible)	BOL3/8-1C	2
3	3/8" NUT	NUT3/8	2
4	7/16" WASHER	WAS7/16	2
5	SELF LOCK BOLTS, 3/8" X 3" HEX	INCL. WITH S.L.F.	
6	SELF LOCK BOLTS, 3/8" X 2 1/2" HEX	INCL. WITH S.L.F.	

COW & HEIFER (1315702)

ILLUS.	DESCRIPTION	PART #	QTY
1	S.L.F. COW/HEIFER ANGLE MOUNT (BKT ONLY)	1315701	1
2	3/8" X 1" CAR, BOLT (not visible)	BOL3/8-1C	2
3	3/8" NUT	NUT3/8	2
4	7/16" WASHER	WAS7/16	2
5	SELF LOCK BOLTS, 3/8" X 3" HEX	INCL. WITH S.L.F.	
6	3/8" X 3 1/2" HEX BOLT	BOL3/8-3 1/2H	2

**CALL A CANARM AGSYSTEMS' CUSTOMER
SERVICE REPRESENTATIVE FOR MORE
MOUNTING OPTIONS.**

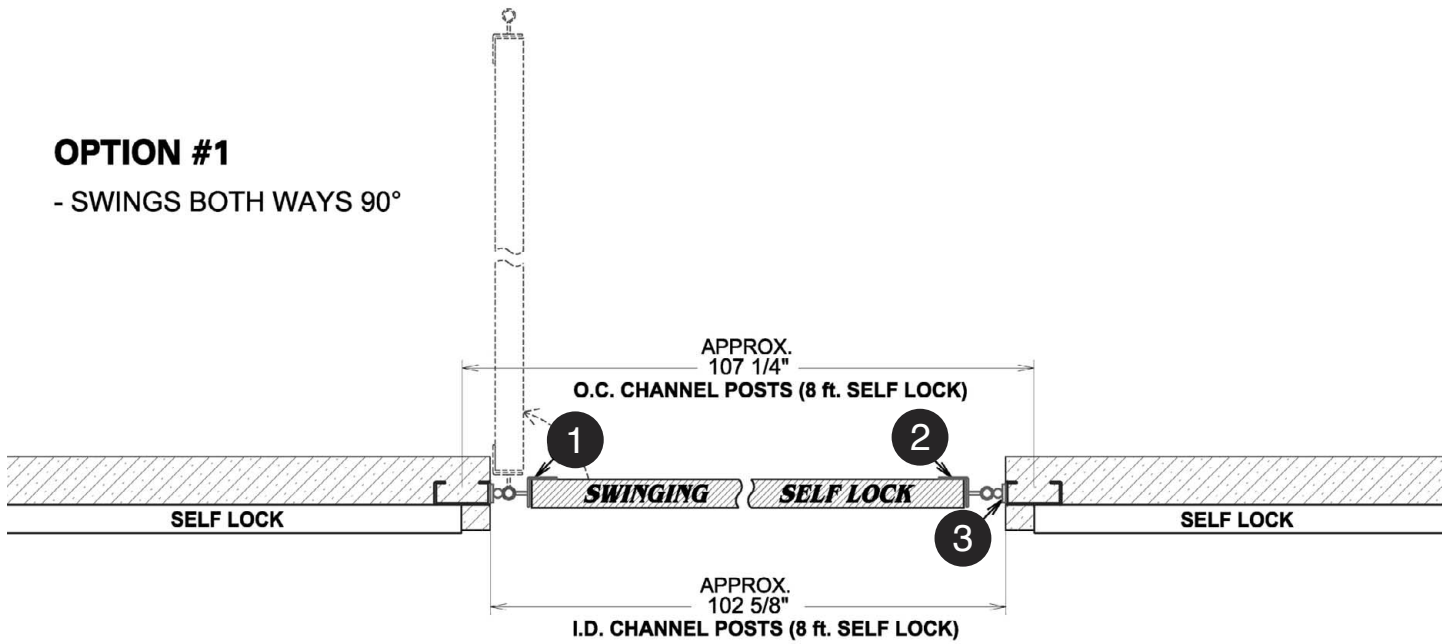


- 1) BOLT THE TOP OF THE BRACKET TO THE TOP OF THE POST WITH THE TWO 3/8" X 1" CAR. BOLTS INCLUDED WITH EACH BRACKET.
- 2) USE BOLT #6 TO FASTEN THE S.L.F. BOTTOM PIPE AND ANGLE MOUNT BRACKET TO THE CHANNEL POST.
- 3) BOLT TOP RAIL OF SELF LOCK TO THE MOUNTING BRACKET WITH THE 3/8" X 3" HEX. BOLTS.

ASSEMBLY

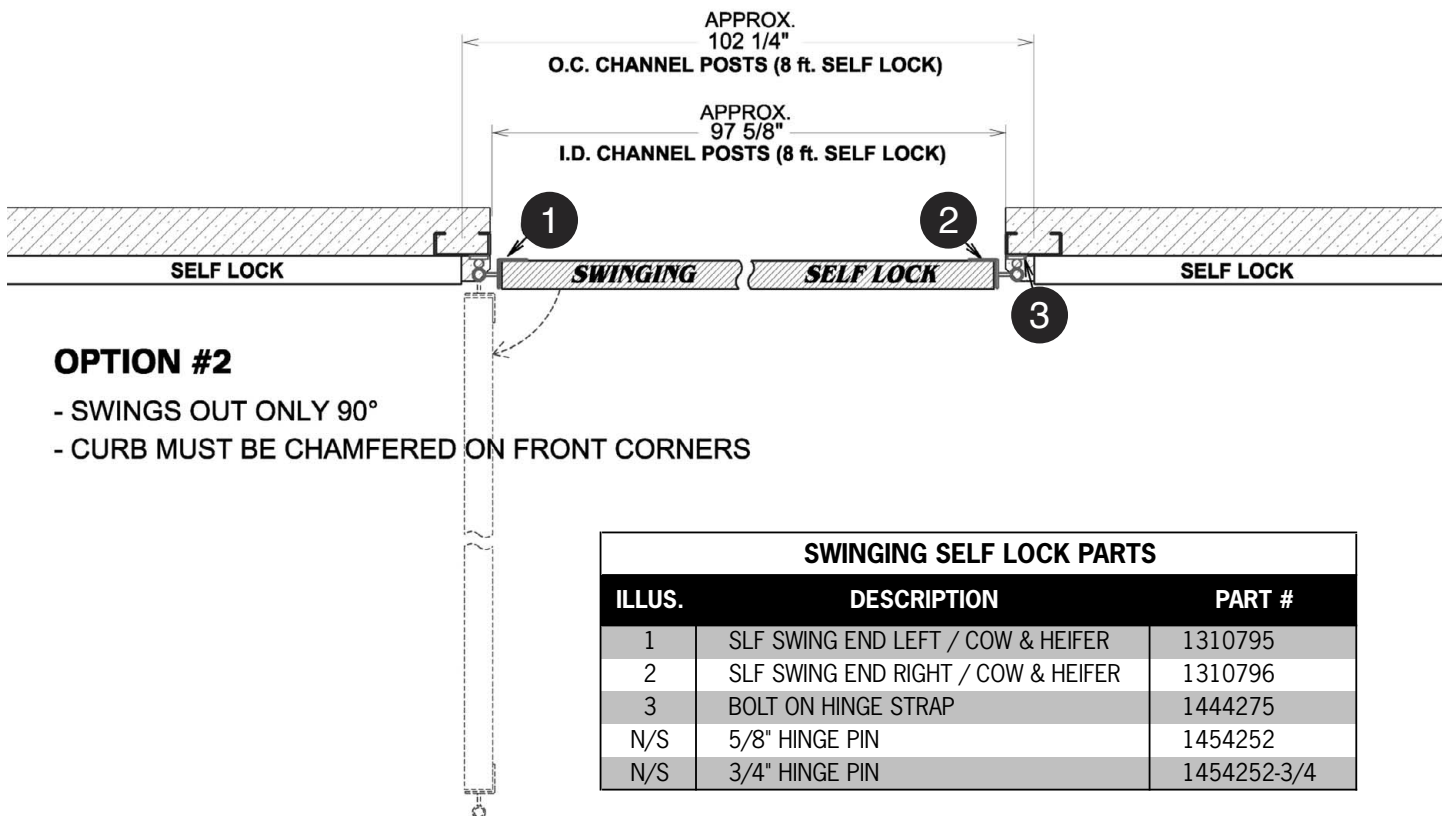
OPTION #1

- SWINGS BOTH WAYS 90°



OPTION #2

- SWINGS OUT ONLY 90°
- CURB MUST BE CHAMFERED ON FRONT CORNERS



SWINGING SELF LOCK PARTS

ILLUS.	DESCRIPTION	PART #
1	SLF SWING END LEFT / COW & HEIFER	1310795
2	SLF SWING END RIGHT / COW & HEIFER	1310796
3	BOLT ON HINGE STRAP	1444275
N/S	5/8" HINGE PIN	1454252
N/S	3/4" HINGE PIN	1454252-3/4

**1310795 - SLF SWING END
LEFT / COW & HEIFER (50" LG.)**



**1310796 - SLF SWING END
RIGHT / COW & HEIFER (50" LG.)**



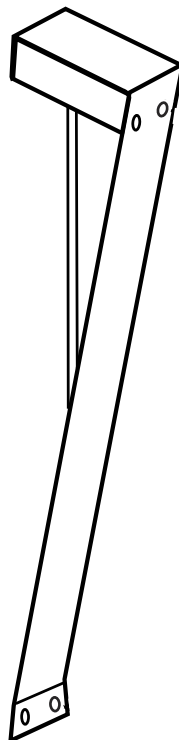
**1454252 - 3/4
3/4" HINGE PIN**



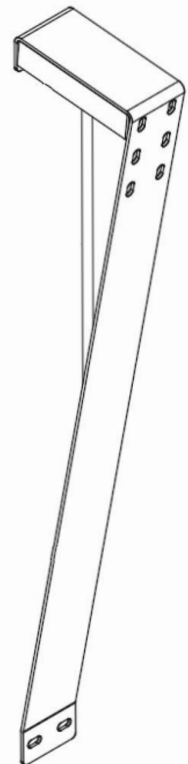
**1444275
BOLT ON HINGE STRAP**



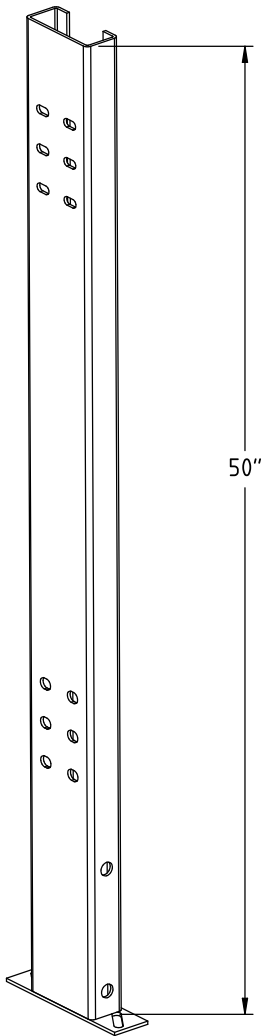
**1315802 - SLF ANGLE MOUNT
KIT, CALF 32"**



**1315702 - COW/HEIFER SLF ANGLE
MNT, C/W HDW**



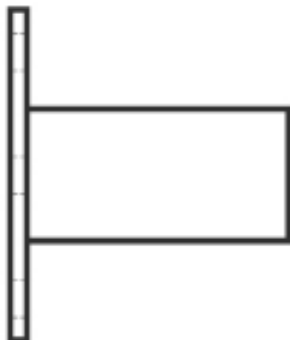
1315805
CALF CHANNEL POST / 50"



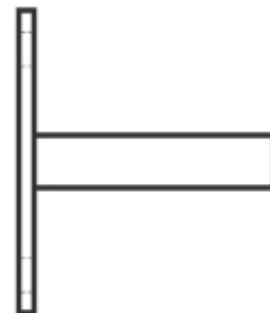
1380023PK
SELF LOCKING FEED FRONT HANDLE



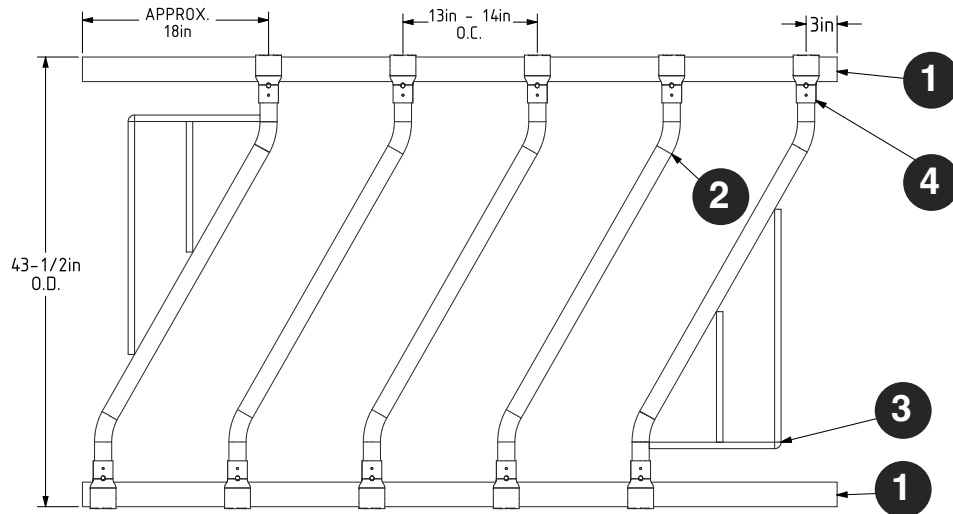
1110476-5
END JOINER (2 3/8" OD PIPE) PKG 5



1310442-5
END JOINER (1 5/8" BOX) BOX 5



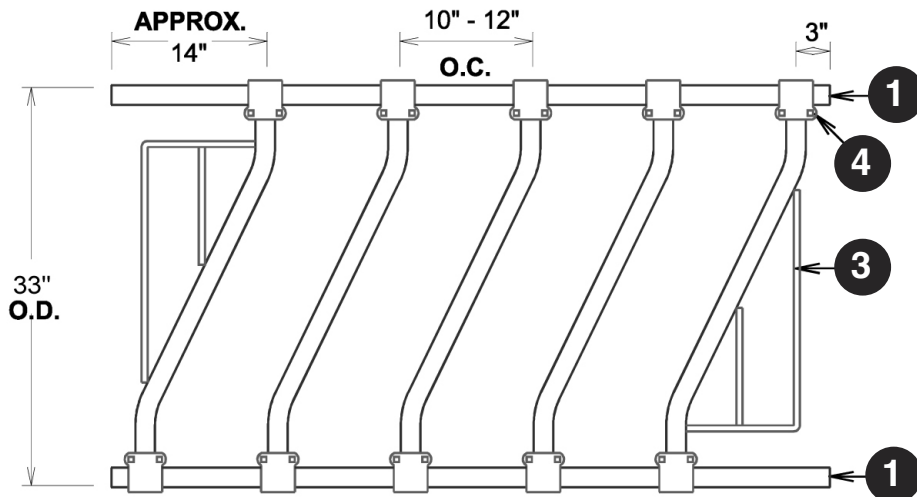
ASSEMBLY - (COW & HEIFER)



ANGLED FEED FRONT - COW & HEIFER

ILLUS.	DESCRIPTION	PART #
1	2 3/8" OD GLV. PIPE - 21' LENGTH	1110475-1
2	CLAMPED IN ANGLED UPRIGHT (38" OD)	1310310
3	38" END UPRIGHT C/W FILLER (COW ANGLED FRONT)	1310310E
4	T-CLAMP 2 3/8" - 1 5/8" T-CLAMP (PC) (USE WITH GALV. PIPE)	CL-90240043

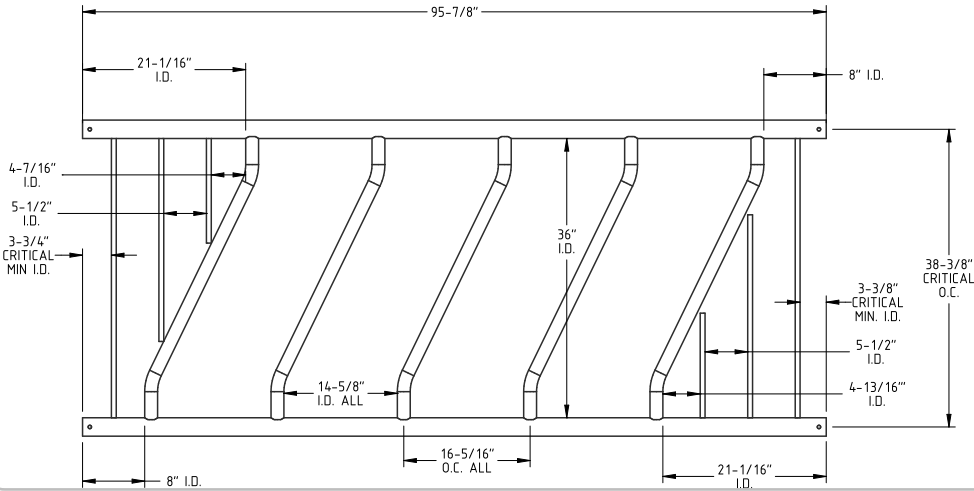
ASSEMBLY - (CALF)



ANGLED FEED FRONT - CALF

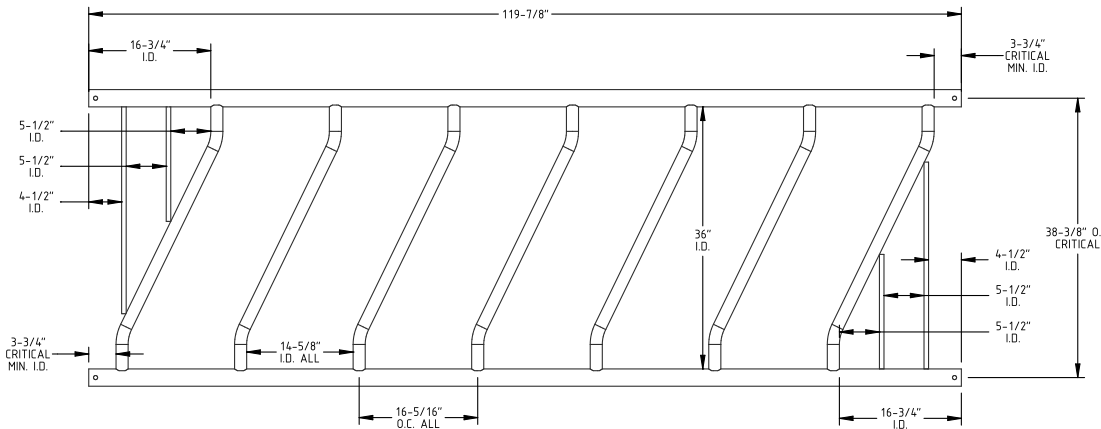
ILLUS.	DESCRIPTION	PART #
1	1 5/8" OD GLV PIPE - 21' LENGTH	1110400-1
2	CLAMPED IN ANGLED UPRIGHT / CALF	1310330N
3	CLAMPED IN ANGLED UPRIGHT END PC. / CALF	1310331N
4	T-CLAMP 1 5/8" - 1 5/8" (BOX OF 10) (USE WITH GALV. PIPE)	101110E-10

1394008
SP 8' LG WELDED ANGLE FEED FRONT (2 3/8" TOP - BOTTOM)



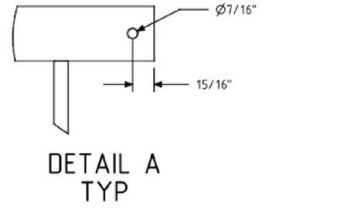
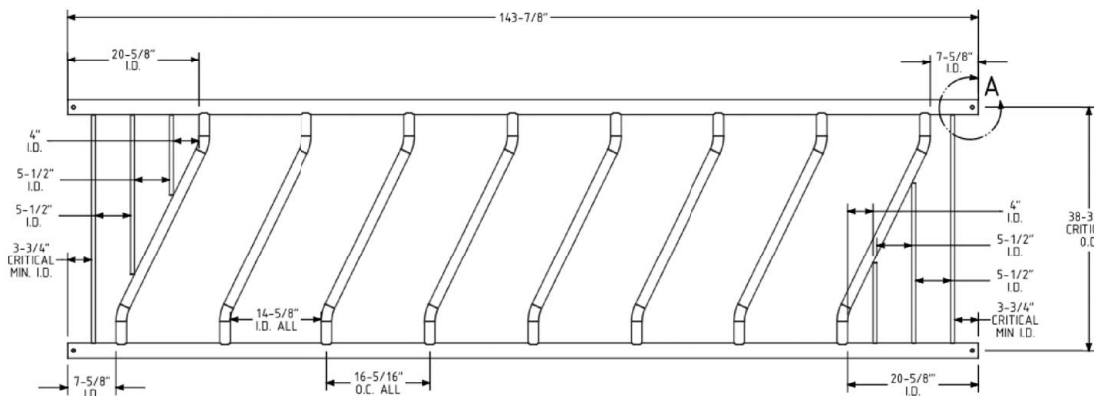
**CALL FOR
AVAILABILITY
AND PRICING.**

1394010
SP 10' LG WELDED ANGLE FEED FRONT (2 3/8" TOP - BOTTOM)



**CALL FOR
AVAILABILITY
AND PRICING.**

1394012
SP 12' LG WELDED ANGLE FEED FRONT (2 3/8" TOP - BOTTOM)



**CALL FOR
AVAILABILITY
AND PRICING.**

INSTALLATION GUIDELINES FOR FREESTALLS & SELF LOCKING FEED FRONTS

HEIFER SIZE & WEIGHT			FREESTALLS					SELF LOCK FEED FRONTS				
			Freestall Arch Length	PLATFORM LENGTH		Stall Width (o.c.)	(iii) Brisket Locator	(iv) Neckrail	(v) Stall Height	Total Height (Cow Side)	(vi) CURB HEIGHT	
Approx. Age (months)	Approx. Weight (lbs)	Height To Top Of Back	Single Stalls	Double Stalls						Cow Side	Feed Side	
Birth	100											
1	150	41"	55"	106"	26"	40"-43"	39"-41"	35"	44"	10"	5"	Adj. Calf
2	200											
3	275	41"	55"	106"	27"	42"-45"	41"-43"	36"	46"	10"	5"	Adj. Calf
4	350	42"	56"	106"	28"	44"-47"	43"-45"	37"	46"	12"	7"	Adj. Calf
5	400	44"	57"	111"	30"	45"-48"	44"-46"	37"	48"	12"	7"	Adj. Calf
6	450	48"	58"	111"	31"	47"-50"	46"-48"	40"	48"	12"	7"	Adj. Calf
7	500	49"	60"	132"	32"	49"-52"	47"-49"	42"	50"	15"	11"	Adj. SLF
8	550	49"	60"	132"	33"	50"-53"	48"-50"	42"	50"	15"	11"	Adj. SLF
9	600	50"	60"	134"	35"	52"-54"	50"-52"	43"	50"	15"	11"	Adj. SLF
10	700	50"	72"	136"	36"	52"-55"	54"-56"	43"	50"	15"	11"	Adj. SLF
11	750	51"	72"	136"	37"	56"-59"	54"-56"	44"	52"	15"	11"	Adj. SLF
12 (i)	800	51"	72"	139"	38"	56"-59"	55"-58"	44"	52"	15"	11"	Adj. SLF
13 (i)	850	52"	84"	139"	39"	56"-59"	55"-58"	45"	54"	15"	11"	Adj. SLF
14 (i)	900	53"	84"	159"	40"	57"-60"	57"-59"	45"	54"	15"	11"	Adj. SLF
15 (i)	950	55"	86"	159"	40"	58"-61"	57"-59"	46"	56"	15"	11"	Adj. SLF
16	1010	55"	86"	163"	42"	58"-62"	58"-61"	46"	56"	18"	14"	Adj. SLF
17	1060	55"	90"	163"	42"	58"-62"	59"-62"	46"	58"	19"	14"	Cow
18	1120	56"	90"	166"	44"	59"-62"	59"-62"	47"	58"	19"	14"	Cow
19	1150	56"	96"	166"	44"	59"-62"	60"-64"	47"	60"	19"	14"	Cow
20	1190	58"	100"	175"	46"	59"-62"	60"-64"	48"	60"	19"	14"	Cow
21	1230	60"	100"	175"	46"	62"-65"	64"-68"	48"	60"	19"	14"	Cow
22	1270	60"	102"	180"	46"	64"-67"	64"-68"	48"	61"	19"	14"	Cow
23	1310	60"	102"	180"	47"	65"-68"	66"-70"	49"	61"	19"	14"	Cow
24 (ii)	1350	60"	108"	192"	48" +	70"	70"-72"	49"-51"	62"-63"	19"	14"	Cow
Cows (std.)	85" loop	58"-60"	88"	216"	50"-52"	70"	70"-72"	50"-52"	62"-63"	19"	14"	Cow
Cows (std.)	94" loop	58"-60"	96"	216"	50"-52"	70"	70"-72"	50"-52"	62"-63"	19"	14"	Cow

USE CALF PENNING FOR ANIMALS UNDER 200 LBS. (See Calf Suites Section)

GUIDELINES ONLY! MUST INSTALL FREESTALLS TO MATCH ANIMAL SIZE

i = breeding age

ii = calving age

iii = horizontal distance from rear of platform to bottom of brisket bracket

iv = horizontal distance from rear of platform to o.c. neckrail

v = stall height from top of compressed bedding (or mat) to bottom of headrail

vi = 1 1/2" space between curb and bottom pipe of SLF

* new recommendations for 1600 lb. + cows (must use 101169-10 clamp for 85" & 94" loops)

SPREAD DIVIDERS TO MATCH THE INSTALLATION HEIGHTS GIVEN

FEED FRONTS

1. Order feed fronts
 - Specify 28 1/2" spacing or 22 1/2" spacing.
 - Cow is 41" high, and calf is 30" high.
2. Order channel posts
 - One more than number of sections (if in one row).
 - Order extra posts if adding walk throughs in row.
3. Order handles
 - One for each run of SLFF (max 80' per handle).

OPTIONAL:

1. Order angle mount brackets - one per channel post (tilt out self lock option).
2. Order end joiners if ending at a wall.

TO ORDER A SWINGING SLFF SECTION:

1. Order one of each SLFF swing ends (left and right).
2. Order one 3/4" pin - for hinge end.
Order one 5/8" pin - for latch end.
3. Order two bolt on hinge straps for walls and channel post.

ANGLED FEED FRONTS - COW

1. Order Uprights, T-clamps and end up-rights (c/w filler)

Example: 120" - (18" for start and finish) / (13" - 14" oc) = 7 openings

Parts needed: 6 uprights + 2 end uprights + 16 T-clamps

ANGLED FEED FRONTS - CALF

1. Order Uprights, T-clamps and end up-rights (c/w filler)

Example: 120" - (15" for start and finish) / (10" - 12" oc) = 9 openings

Parts needed: 8 uprights + 2 end uprights + 20 T-clamps

COW

		6'	8'	10'
1110475-1	21' LG GALV. 2 3/8" PIPE	.6	.7	.9
1310310	ANGLED UPRIGHT	3	4	6
1310310E	ANGLED UPRIGHT END FILLER	2	2	2
CL-90240043	T-CLAMP 2 3/8" x 1 5/8" 1 PC	10	12	16

CALF

		6'	8'	10'
1110400-1	21' LG GALV. 1 5/8" PIPE	.6	.7	.9
1310330N	ANGLED UPRIGHT	4	6	8
1310331N	ANGLED UPRIGHT END FILLER	2	2	2
101110E-10	T-CLAMP (BOX OF 10)	1.2	1.6	2.0