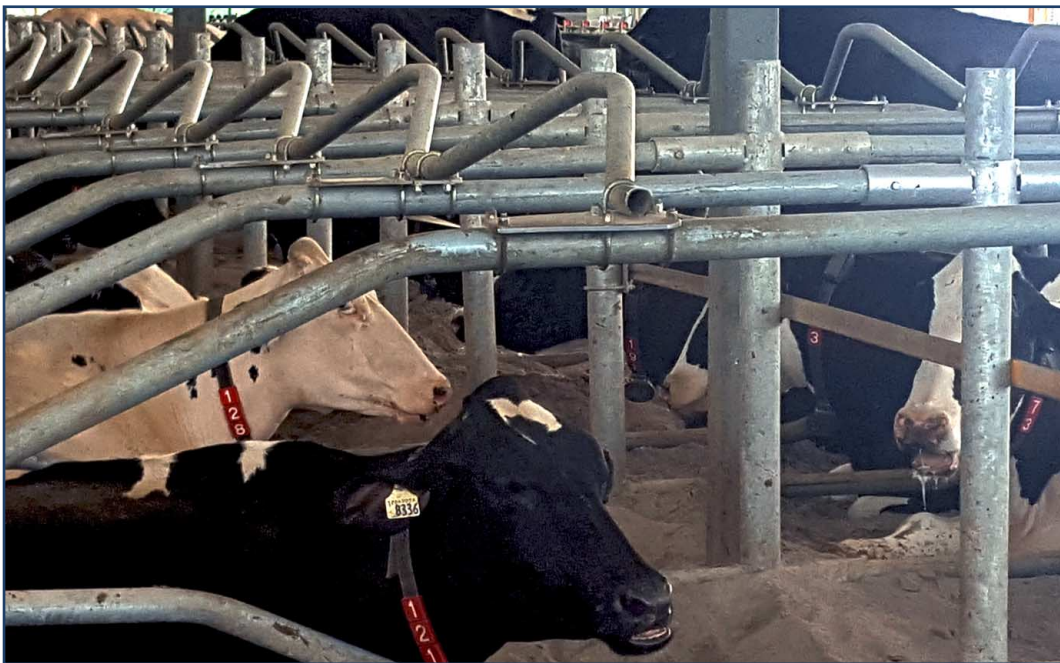




FEATURES

- Hot dipped galvanized or pre-galvanized loop option.
- Heavy galvanized 3 1/2" post.
- Easy installation.
- Adjustable height.
- Cow friendly loop profile to allow lunge space.
- Available in 79", 88", and 94" long loops.



CANARM LTD. - Corporate Office
PO Box 367 2157 Parkedale Ave.,
Brockville, ON
Canada K6V 5V6
Tel: (613) 342-5424 Fax: 1-800-263-4598

Arthur Manufacturing Facility
#7686 Concession 16, RR 4
Arthur, ON
Canada N0G 1A0
Tel: (519) 848-3910 Fax: (519) 848-3948

Montréal Warehouse
2555 Rue Bernard Lefebvre
Laval, QC
Canada H7C 0A5
Tel: (450) 655-2535 Fax: (450) 665-0910

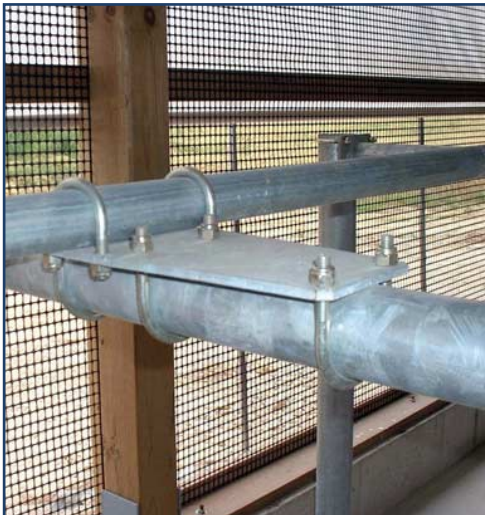
CANARM LTD. - USA Warehouse
808 Commerce Park Drive
Ogdensburg, New York,
USA 13669
Tel: 1-800-267-4427 Fax: 1-800-263-4598



FEATURES

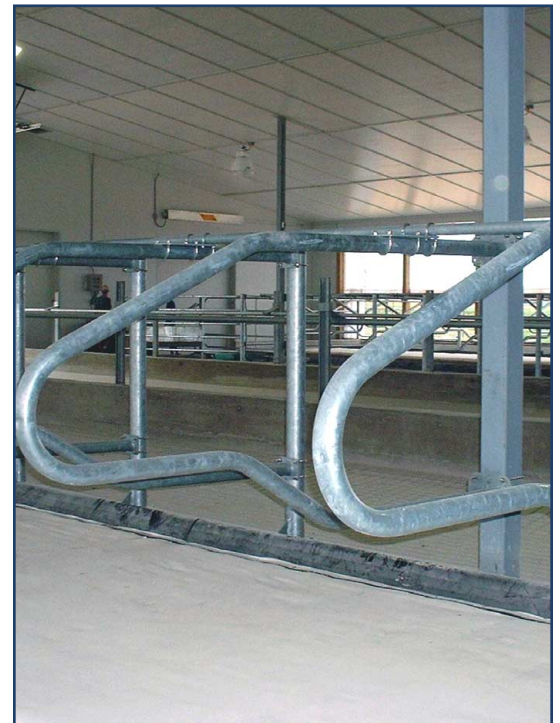
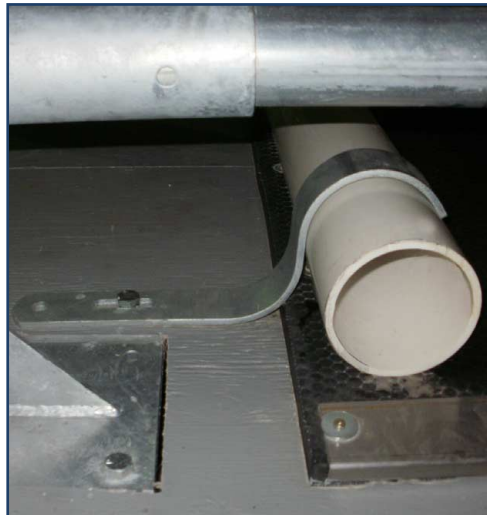
- Open concept design resulting in elevated comfort levels.
- Greater space between the pipes to minimize headswing restrictions.
- Large lower opening does not interfere with curb hip when lying down, bruising is prevented.
- Headrail installed at 48", therefore cow does not damage top of shoulder as she tries to stand.
- Maximizes forward mobility space.
- Plate mounted for increased strength and durability.
- Freestalls made of heavy duty 2 3/8"OD tube and hot dipped galvanized for longevity.
- Fully adjustable neckrail and brisket bracket.
- Heavy duty 3 1/2" post with gusset for increased strength.
- Available in 79.5", 88" & 94" lengths.
- Freestalls also available in calf and heifer models (1 5/8" OD pipe).

HEAVY-DUTY HEADRAIL CLAMP



- Heavy-duty headrail clamp significantly increases stall strength and stability.
- Brisket bracket attaches to the floor to eliminate any obstructions.
- Easily adjustable to accommodate different animal sizes.

BRISKET BRACKET





FEATURES

- Excellent front and side lunge.
- Available in 79.5", 88" & 94" lengths.
- Hot dipped galvanized or pre-galvanized loop option.
- Very cow friendly.
- Only 1 post required for every 4 stalls.
- Mounted to floor to create stability.



CANARM LTD. - Corporate Office
PO Box 367 2157 Parkedale Ave.,
Brockville, ON
Canada K6V 5V6
Tel: (613) 342-5424 Fax: 1-800-263-4598

Arthur Manufacturing Facility
#7686 Concession 16, RR 4
Arthur, ON
Canada N0G 1A0
Tel: (519) 848-3910 Fax: (519) 848-3948

Montréal Warehouse
2555 Rue Bernard Lefebvre
Laval, PC
Canada H7C 0A5
Tel: (450) 655-2535 Fax: (450) 665-0910

CANARM LTD. - USA Warehouse
808 Commerce Park Drive
Ogdensburg, New York,
USA 13669
Tel: 1-800-267-4427 Fax: 1-800-263-4598



FEATURES

- Fully adjustable width and height.
- Less concrete required.



CANARM LTD. - Corporate Office
PO Box 367 2157 Parkedale Ave.,
Brockville, ON
Canada K6V 5V6
Tel: (613) 342-5424 Fax: 1-800-263-4598

Arthur Manufacturing Facility
#7686 Concession 16, RR 4
Arthur, ON
Canada N0G 1A0
Tel: (519) 848-3910 Fax: (519) 848-3948

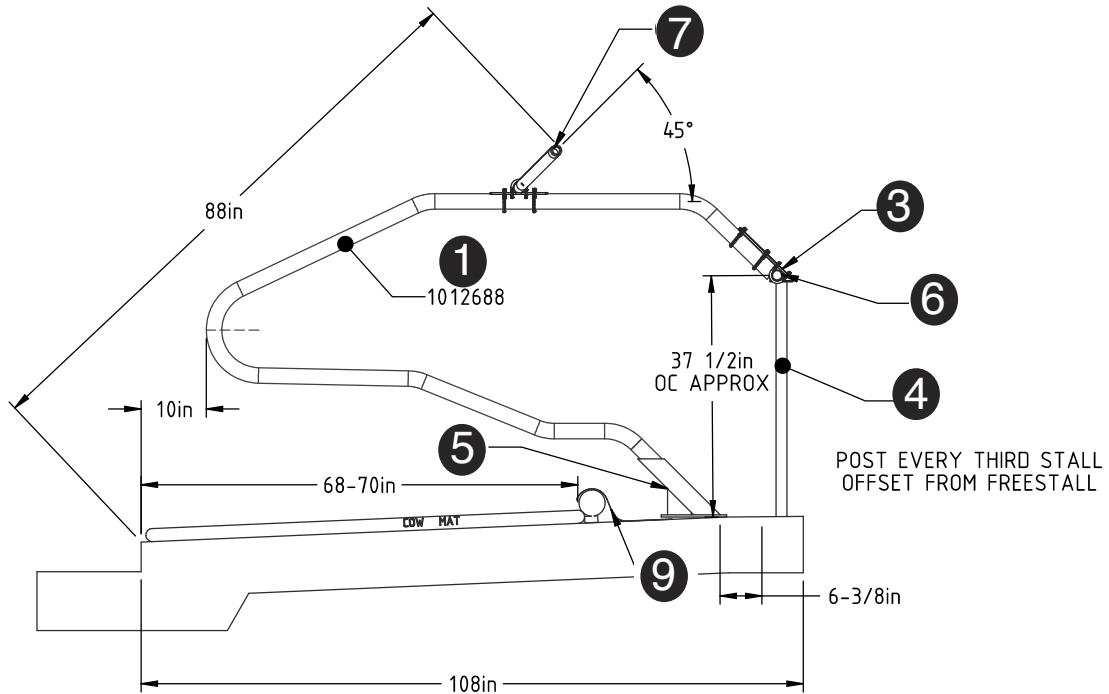
Montréal Warehouse
2555 Rue Bernard Lefebvre
Laval, QC
Canada H7C 0A5
Tel: (450) 655-2535 Fax: (450) 665-0910

CANARM LTD. - USA Warehouse
808 Commerce Park Drive
Ogdensburg, New York,
USA 13669
Tel: 1-800-267-4427 Fax: 1-800-263-4598

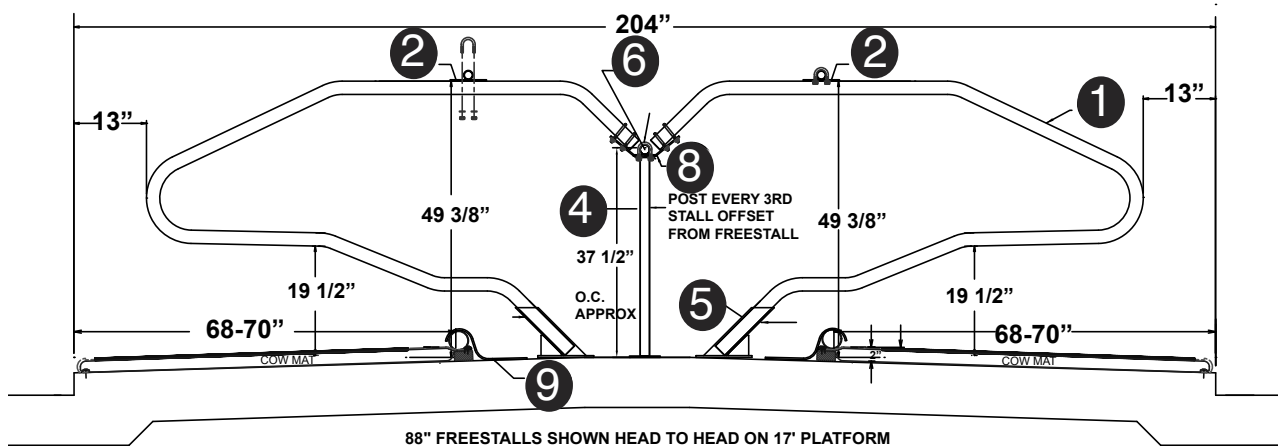
www.canarm.com
Subject to Change without notice.

agsales@canarm.ca
Printed in Canada

EEZY LUNGE DROP DOWN FRONT FREESTALL WITH CURVED HEAD RAIL SINGLE ROW



EEZY LUNGE DROP DOWN FRONT FREESTALL DOUBLE ROW

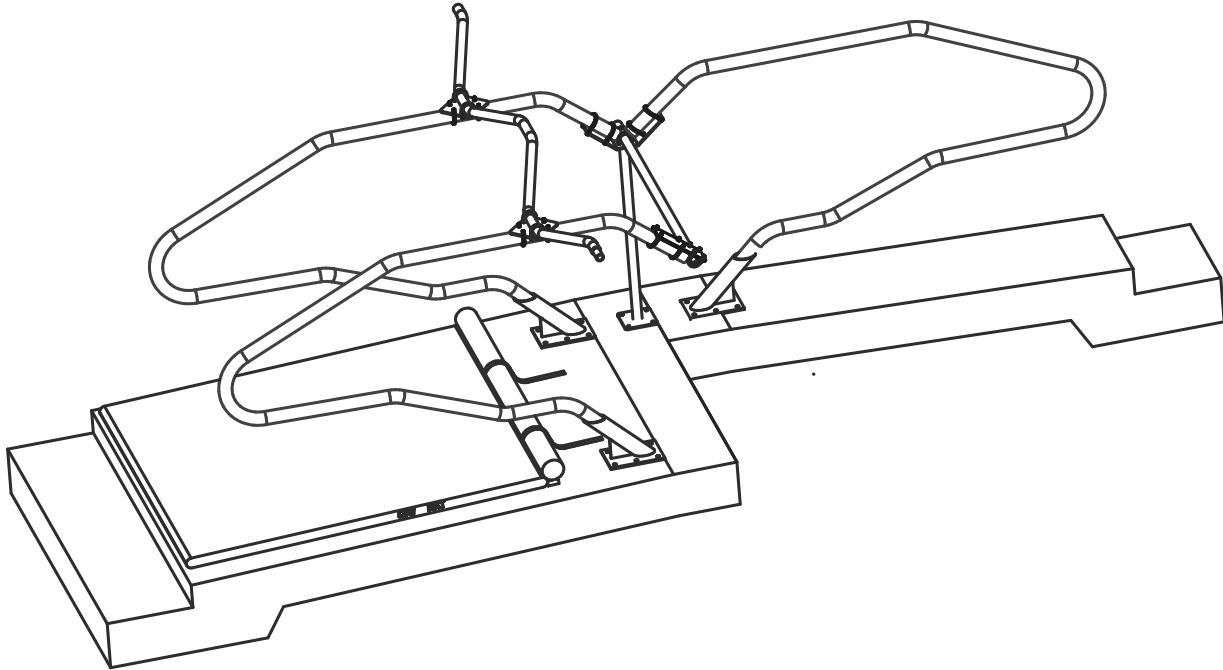


88" FREESTALLS SHOWN HEAD TO HEAD ON 17" PLATFORM

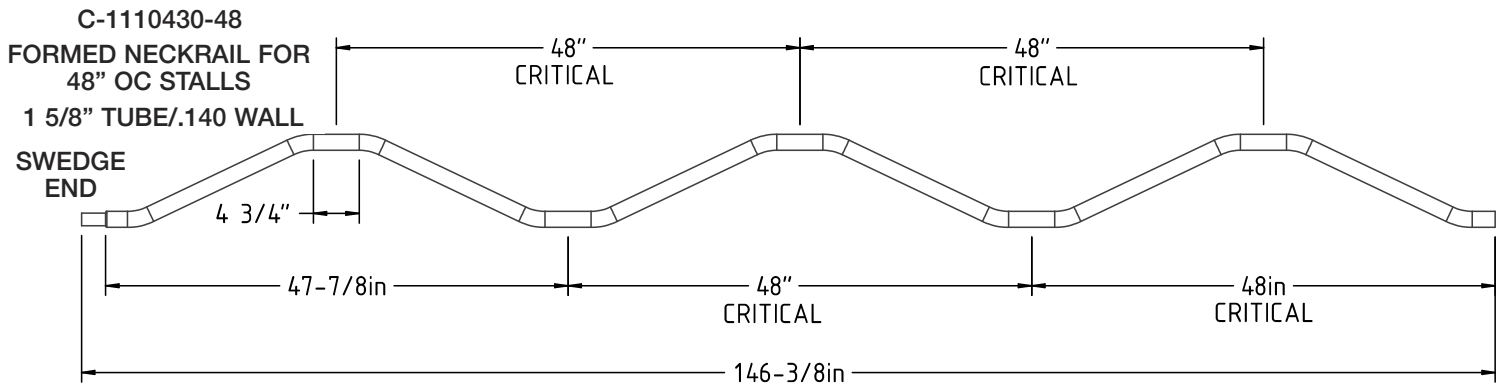
ILLUS.	DESCRIPTION	PART #
1	37.5" HIGH FRONT PIPE EEZY LUNGE 88" LONG	1012688
2	X-OVER 2 3/8 X 1 5/8 - 6.5 DIAMOND PLATE + 4 U-BOLTS	101179-10
3	PLATE FOR SINGLE ROW + U-BOLTS	1012688-CL1
4	POST FOR DROP FRONT EEZY LUNGE	1012688-PST
5	FLOOR MOUNT PLATE	1012221
6	1 5/8" PRE-GALV HEADRAIL PIPE	1110400-1
7	COMFY CURVE HEADRAIL	C-1011430-48
8	HEAD TO HEAD CLAMPS + U BOLTS	1012688-CL
9	FLOOR MAT BRISKET	1012570

NOTE: Now using all stainless steel hardware.

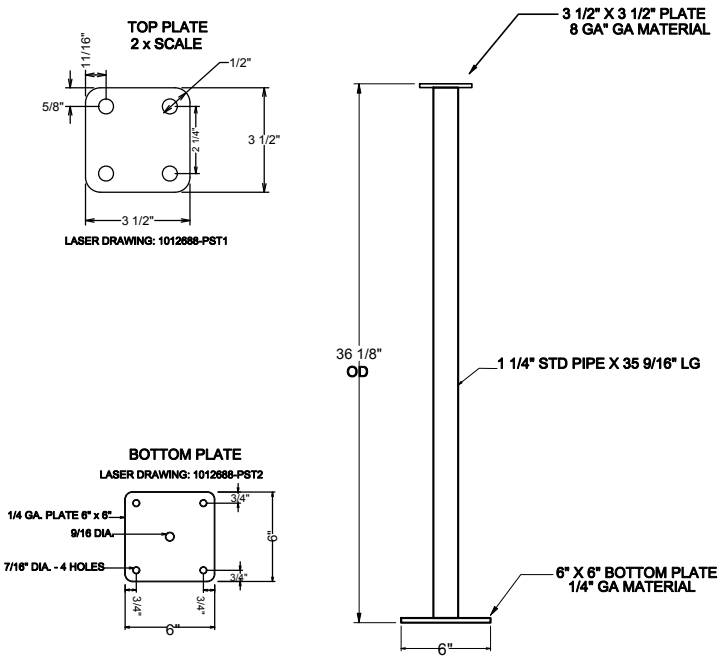
EEZY LUNGE DROP DOWN FRONT FREESTALL LAYOUT DOUBLE ROW / SINGLE ROW



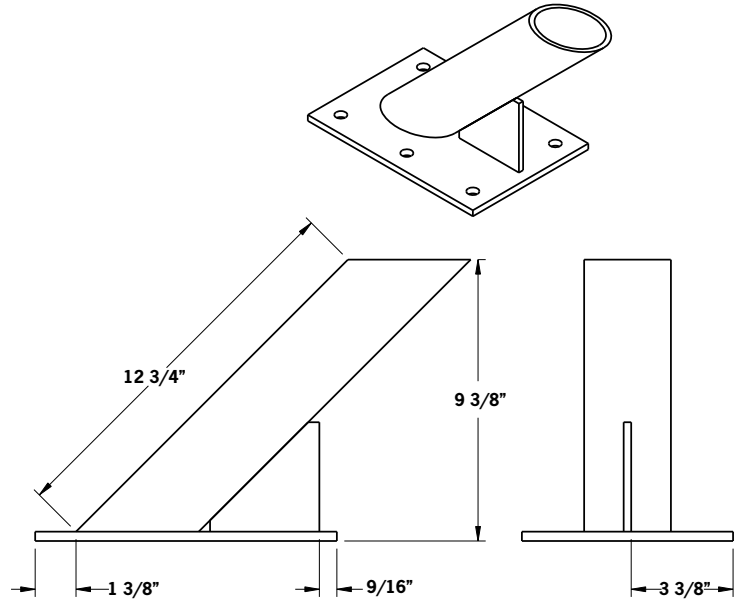
COMFY CURVED HEADRAIL
C-1110430-48



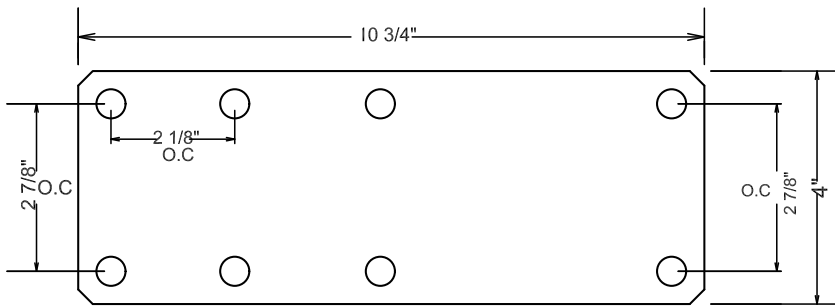
1012688 - PST
36 1/8" POST



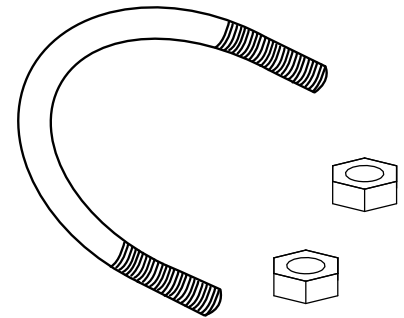
1012221
GALV. FLOOR MOUNT BRACKET/FREESTALL



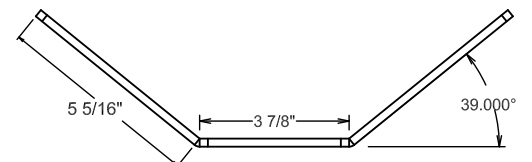
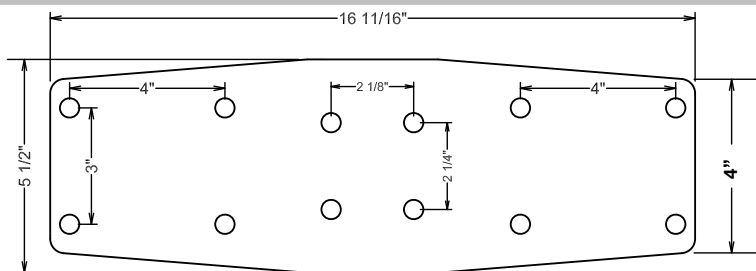
1012688-CL1
PLATE FOR SINGLE ROW + U-BOLTS



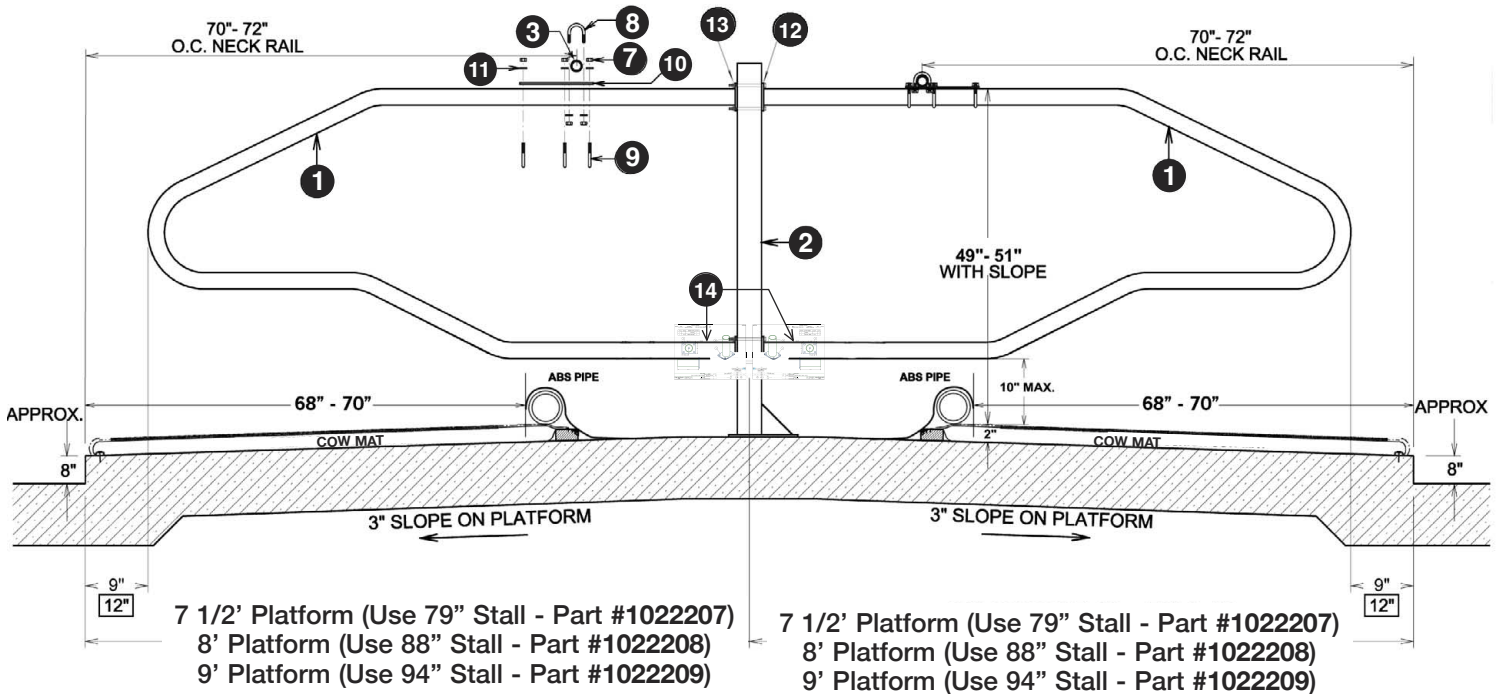
20-620
U-BOLTS 1.75" ID X 2 3/8" LG (PKG 20)



1012688-CL
HEAD TO HEAD CLAMPS + U-BOLTS



SUSPENDED FREESTALL (COW)
79", 88" & 94" HEAD TO HEAD POST SYSTEMS

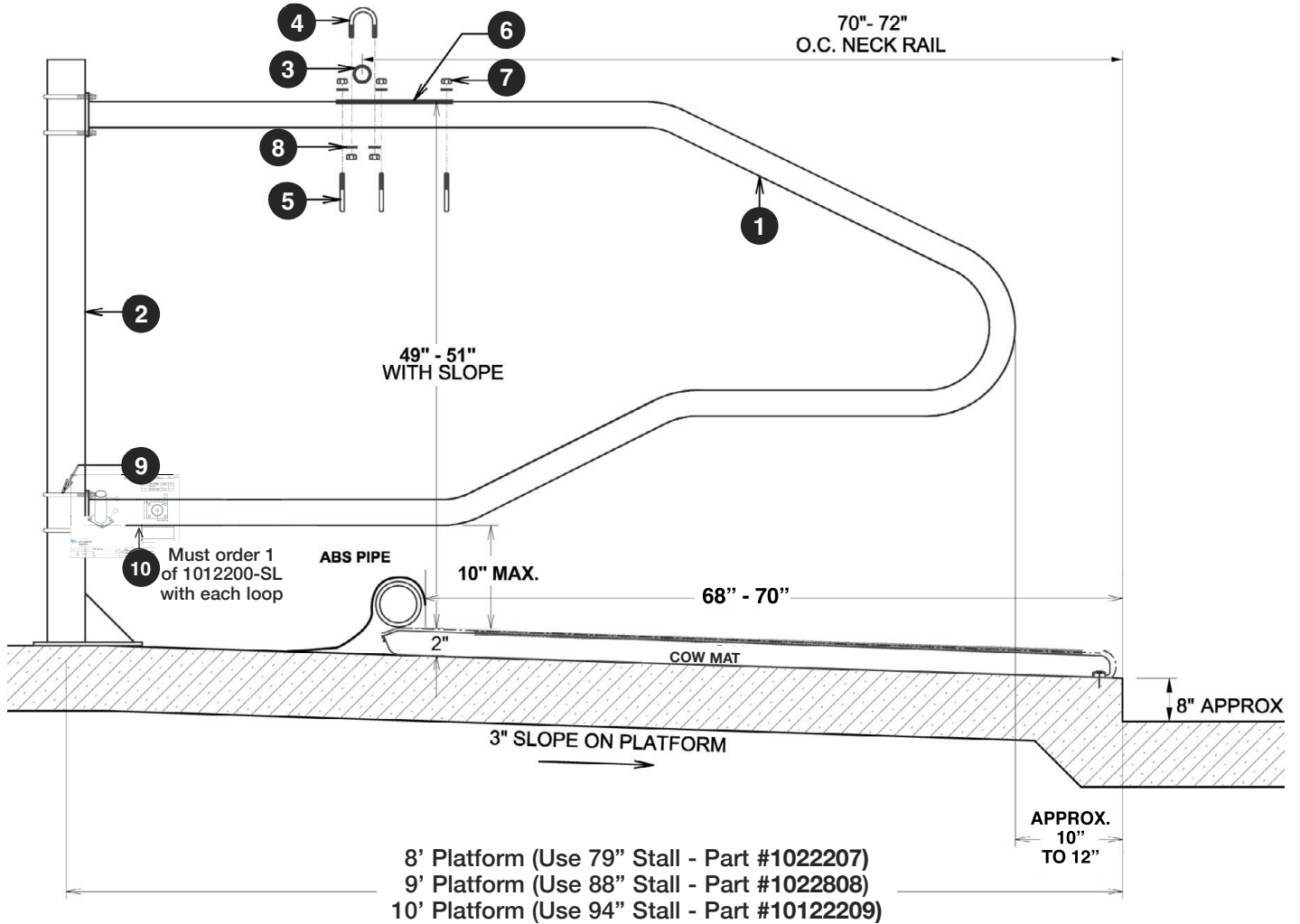


ILLUS.	DESCRIPTION	PART #
1	79" FREESTALL (5" PLATE) (39" HIGH) (9" OFFSET)	1022207
1	88" FREESTALL (5" PLATE) (39" HIGH) (9" OFFSET)	1022208
1	94" FREESTALL (5" PLATE) (39" HIGH) (9" OFFSET)	1022209
2	POST 56" (3.5" OD .150 WALL) BOLT DOWN	1012491
N/S	POST 64" (3.5" OD .150 WALL) CEMENT IN	1012490
3	1 5/8" GALV. HEADRAIL PIPE - 21 FT. LENGTH	1110400-1
14	FREESTALL MNT 8" COLLAR + PL (MUST ORDER 1 WITH EACH LOOP)	1012200-SL
8	U-BOLT ONLY 1.75" ID X 2 3/8" (20-6A)(20 pcs. /PKG)	
9	U-BOLT 3/8", 2.5" ID X 3.25"L US (20-5A)(30 pcs. /PKG)	
10	X-OVER PLATE ONLY 5" X 10" (10 pcs. /PKG)	101169-10
7	3/8" LOCK NUT (100 pcs. /PKG)	X-OVER 2 3/8" X 1 5/8" (10" PL + 5 U-BOLTS)
11	3/8" WASHER (100 pcs. /PKG)	
	SP 6.5" SQ X-OVER PL ONLY GALV (10 pcs. /PKG)	101179A
	U-BOLT ONLY 1.75" ID X 2 9/16" LG (20 pcs. /PKG)	20-6A
	U-BOLT 3/8, 2.5ID X 3.25L US (20 pcs. /PKG)	20-5A
	3/8-16 N.I. LOCK NUT, US (81 pcs. /PKG)	NUT3/8LN
	+3/8" FLAT WASHER, US (81 pcs. /PKG)	WAS3/8
12	US 1/2" X 5" HX BOLT (50 pcs./BOX)	90B1/2-5
13	US 1/2" NYLON LOCKNUT (50 pcs./BOX)	90N1/2L

FOR INFORMATION ON BRISKET BRACKET, ABS PIPE & ACCESSORIES (SEE FREESTALLS - 21-24)

*****NOTE: Now using all stainless steel hardware.*****

SUSPENDED FREESTALL (COW)
79", 88" & 94" POST SYSTEMS

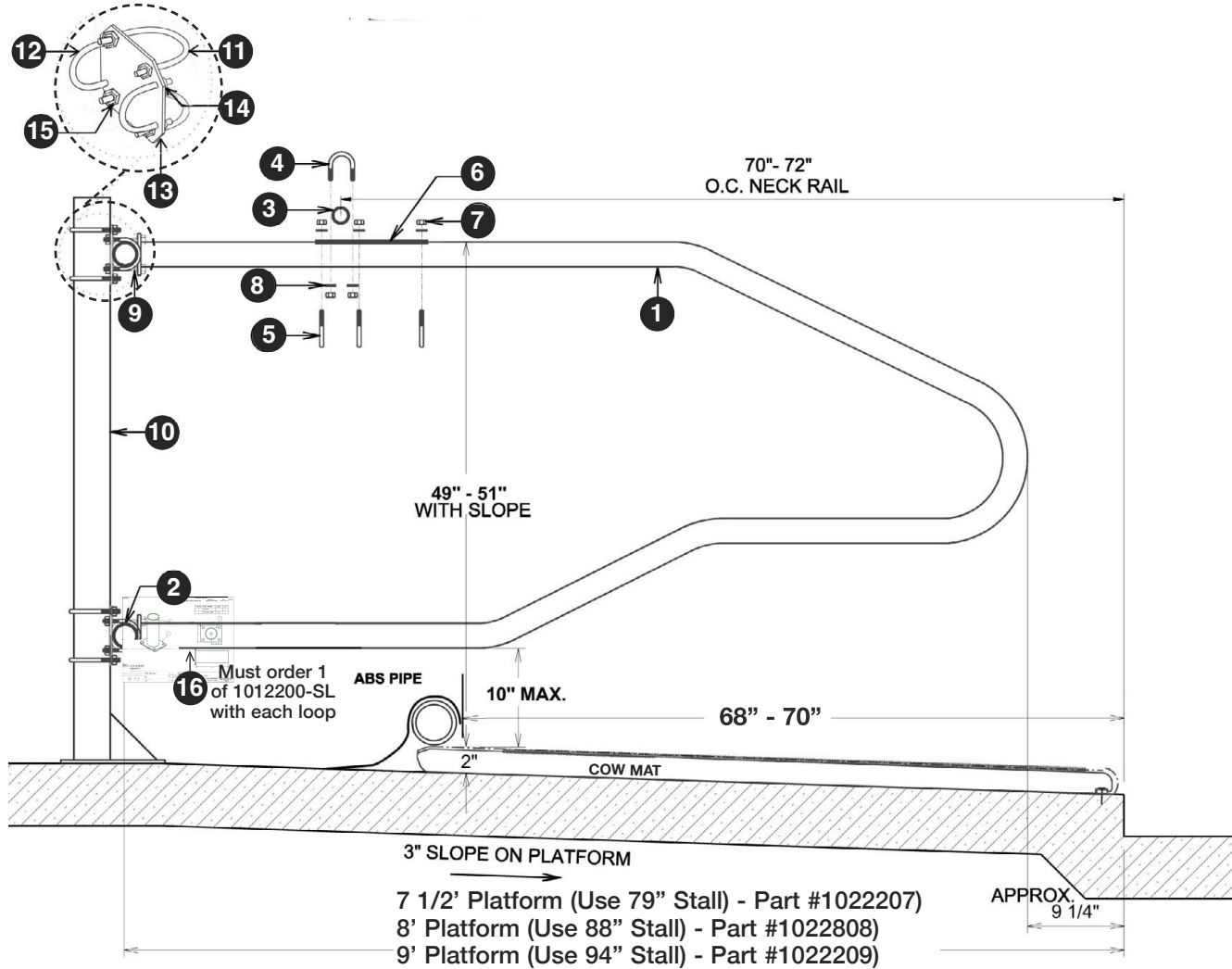


ILLUS.	DESCRIPTION	PART #
1	79" FREESTALL (5" PLATE) (39" HIGH) (9" OFFSET)	1022207
1	88" FREESTALL (5" PLATE) (39" HIGH) (9" OFFSET)	1022208
1	94" FREESTALL (5" PLATE) (39" HIGH) (9" OFFSET)	1022209
2	POST 56" (3.5" OD .150 WALL) BOLT DOWN	1012491
N/S	POST 64" (3.5" OD .150 WALL) CEMENT IN	1012490
3	GALV 1 5/8" HEADRAIL PIPE - 21 FT. LENGTH	1110400-1
10	FREESTALL MNT 8" COLLAR + PL (MUST ORDER 1 WITH EACH LOOP)	1012200-SL
4	U-BOLT 1.75" ID X 2 3/8" LG. (20-6A)(20 pcs. / PKG)	
5	U-BOLT 3/8", 2.5" ID X 3.25" LG. (20-5A)(30 pcs. /PKG)	
6	X-OVER PLATE ONLY 5" X 10" (10 pcs. /PKG)	101169-10
7	3/8" LOCK NUT (100 pcs. /PKG)	X-OVER 2 3/8" X 1 5/8" (10" PL + 5 U-BOLTS)
8	3/8" WASHER (100 pcs. /PKG)	
9	SP 6.5" SQ X-OVER PL ONLY GALV (10 pcs. /PKG)	101179A
	U-BOLT ONLY 1.75" ID X 2 9/16" LG (20 pcs. /PKG)	20-6A
	U-BOLT 3/8, 2.5ID X 3.25L US (20 pcs. /PKG)	20-5A
	3/8-16 N.I. LOCK NUT, US (81 pcs. /PKG)	NUT3/8LN
	3/8" FLAT WASHER, US (81 pcs. /PKG)	WAS3/8
9	U-BOLT 1/2", 3 9/16" ID X 4 5/8" LG. (BOX/20)	20-720

FOR INFORMATION ON BRISKET BRACKET, ABS PIPE & ACCESSORIES (SEE FREESTALLS - 21-24)

*****NOTE: Now using all stainless steel hardware.*****

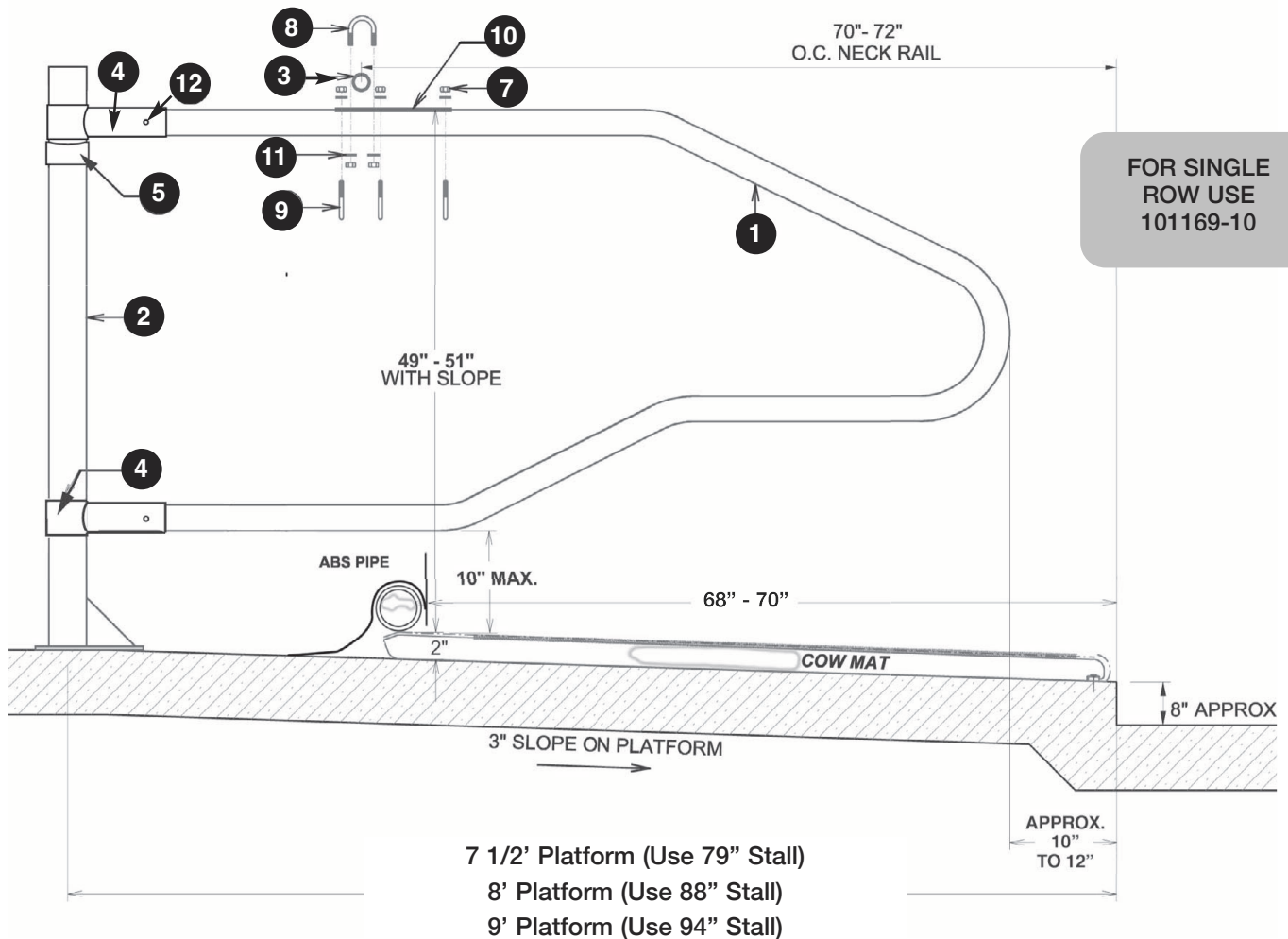
SUSPENDED FREESTALL (COW) 88" PIPE & RAIL SYSTEM



ILLUS.	DESCRIPTION	PART #
1	79" FREESTALL (5" PL) (39" H) (9" OFFSET)	1022207
1	88" FREESTALL (5" PL) (39" H) (9" OFFSET)	1022208
1	94" FREESTALL (5" PLATE) (39" HIGH) (9" OFFSET)	1022209
2	2 3/8" OD GALV. PIPE - 21' LENGTH	1110475-1
3	PRE GALV 1 5/8" HEADRAIL PIPE - 21 FT. LENGTH	1110400-1
4	U-BOLT 1.75" ID X 2 3/8" LG. (20-6A)(20 pcs. /PKG)	101169-10
5	U-BOLT 3/8", 2.5" ID X 3.25" LG. (20-5A)(30 pcs. /PKG)	
6	X-OVER PLATE ONLY 5" X 10" (20-6A)(20 pcs. /PKG)	X-OVER 2 3/8" X 1 5/8" (10" PL + 5 U-BOLTS)
7	3/8" LOCK NUT (100 pcs. /PKG)	
8	3/8" WASHER (100 pcs. /PKG)	
9	3/8" U-BOLT 2.5" ID X 3.25" LG. (20-5A)(20 pcs. /PKG)	20-520
10	56" LG. FREESTALL BOLT DOWN POST (3.5" OD)	1012491
11	U-BOLT 1/2", 3 9/16" ID X 4 5/8" LG. (20 pcs. / PKG)	1011540-10
12	U-BOLT 3/8", 2.5" ID X 3.25" LG. (20 pcs. / PKG)	
13	X-OVER PL ONLY 3.5" TO 2 3/8" (10 pcs. / PKG)	X-OVER 3.5" X 2 3/8" BOX OF 10
14	3/8" LOCK NUT (40 pcs. / PKG)	
15	1/2" LOCK NUT (40 pcs. / PKG)	
N/S	3/8" WASHER (40 pcs. / PKG)	
16	FREESTALL MNT 8" COLLAR + PL (MUST ORDER 1 WITH EACH LOOP)	1012200-SL

FOR INFORMATION ON BRISKET BRACKET, ABS PIPE & ACCESSORIES (SEE FREESTALLS - 21-24)

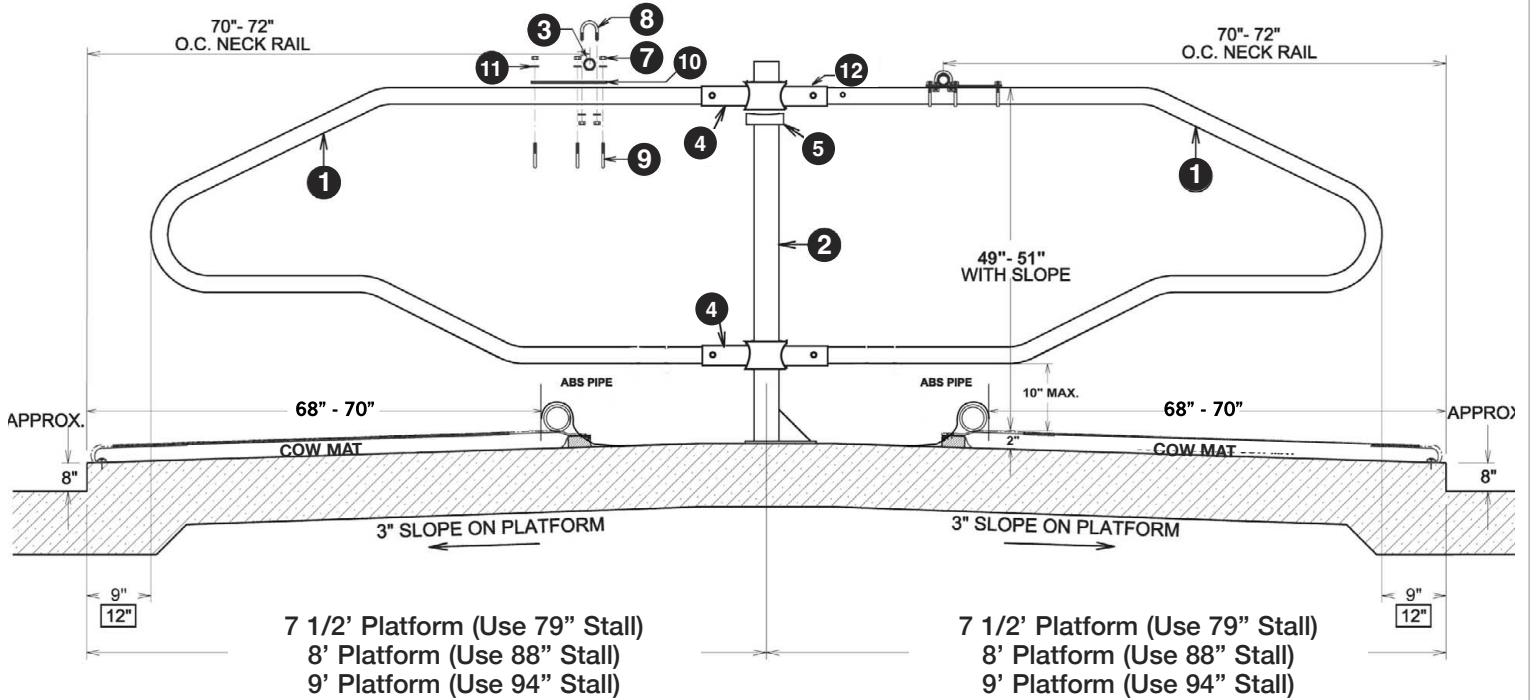
SLEEVE & COLLAR MOUNT FREESTALL SINGLE ROW



ILLUS.	DESCRIPTION	PART #	
1	79" GALV. SLEEVE & COLLAR MOUNT FREESTALL (39" HIGH) (9" OFFSET) - NO PLATE	1012487	
1	88" GALV. SLEEVE & COLLAR MOUNT FREESTALL (39" HIGH) (9" OFFSET) - NO PLATE	1012818	
1	94" GALV. SLEEVE & COLLAR MOUNT FREESTALL (39" HIGH) (9" OFFSET) - NO PLATE	1012489	
2	POST 56" (3.5" OD .150 WALL) BOLT DOWN	1012491	
N/S	POST 64" (3.5" OD .150 WALL) CEMENT IN	1012490	
3	PRE GALV 1 5/8" HEADRAIL PIPE - 21 FT. LENGTH	1110400-1	
4	GALV. SINGLE MOUNT/STALL	1012300S	
5	BOLT ON COLLAR	1440009CB	
8	U-BOLT 1.75" ID X 2 3/8" LG. (20-6A)(20 pcs./PKG)		
9	U-BOLT 3/8", 2.5" ID X 3.25" LG. (20-5A)(30 pcs./PKG)		
10	X-OVER PLATE ONLY 5" X 10" (10 pcs./PKG)		101169-10
7	3/8" LOCK NUT (100 pcs./PKG)		X-OVER 2 3/8" X 1 5/8"
11	3/8" WASHER (100 pcs./PKG)		(10" PL + 5 U-BOLTS)
	SP 6.5" SQ X-OVER PL ONLY GALV (10 pcs. /PKG)	101179A	
	U-BOLT ONLY 1.75" ID X 2 9/16" LG (20 pcs. /PKG)	20-6A	101179-10
	U-BOLT 3/8, 2.5ID X 3.25L US (20 pcs. /PKG)	20-5A	X-OVER 2 3/8" X 1 5/8"
	3/8-16 N.I. LOCK NUT, US (81 pcs. /PKG)	NUT3/8LN	(6.5" DIAMOND PLATE +
	+3/8" FLAT WASHER, US (81 pcs. /PKG)	WAS3/8	4 U-BOLTS)
12	3/8" X 3 1/2" HEX BOLT (50 pcs. /PKG)	90B1/2-5	

FOR INFORMATION ON BRISKET BRACKET, ABS PIPE & ACCESSORIES (SEE FREESTALLS - 21-24)

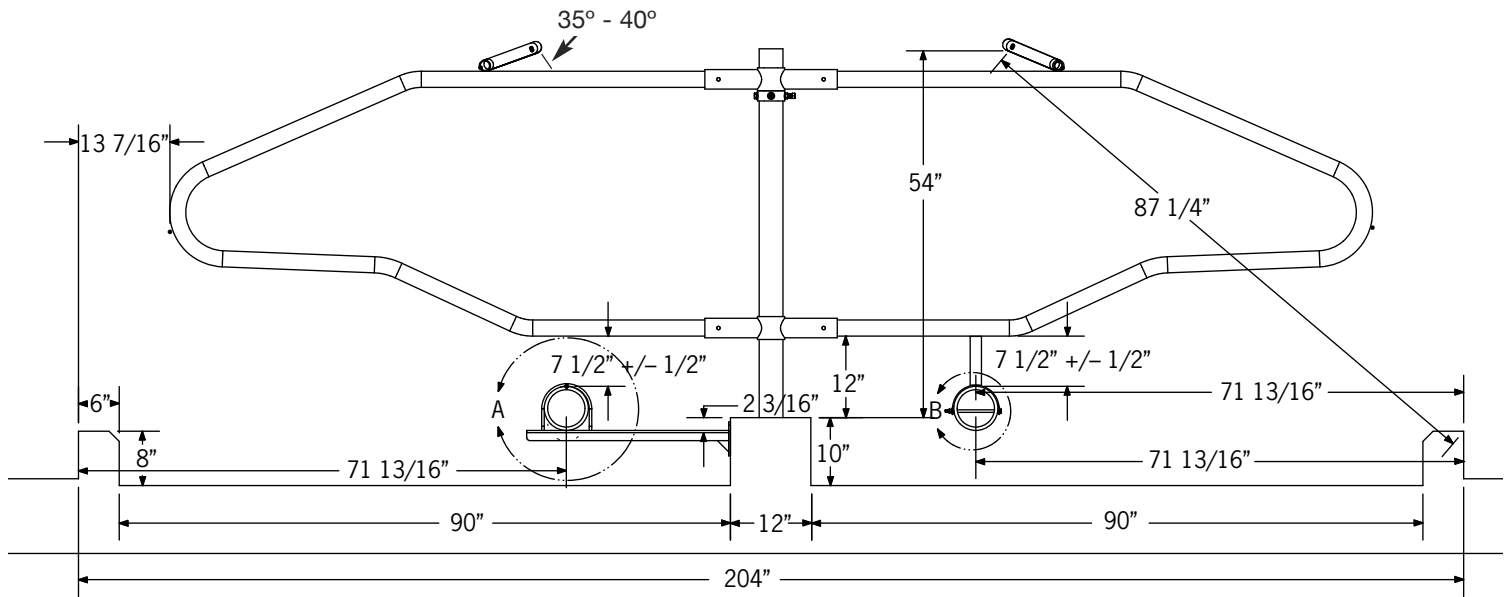
SLEEVE & COLLAR MOUNT FREESTALL DOUBLE ROW



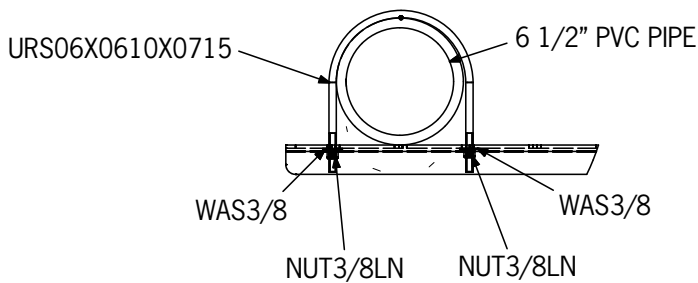
ILLUS.	DESCRIPTION	PART #
1	79" GALV. SLEEVE & COLLAR MOUNT FREESTALL (39" HIGH) (9" OFFSET) - NO PLATE	1012487
1	88" GALV. SLEEVE & COLLAR MOUNT FREESTALL (39" HIGH) (9" OFFSET) - NO PLATE	1012818
1	94" GALV. SLEEVE & COLLAR MOUNT FREESTALL (39" HIGH) (9" OFFSET) - NO PLATE	1012489
2	POST 56" (3.5" OD .150 WALL) BOLT DOWN	1012491
N/S	POST 64" (3.5" OD .150 WALL) CEMENT IN	1012490
3	PRE GALV 1 5/8" HEADRAIL PIPE - 21 FT. LENGTH	1110400-1
4	GALV. DBL MOUNT/STALL	1012300D
5	BOLT ON COLLAR	1440009CB
8	U-BOLT 1.75" ID X 2 3/8" LG. (20-6A)(20 pcs./PKG)	
9	U-BOLT 3/8", 2.5" ID X 3.25" LG. (20-5A)(30 pcs./PKG)	
10	X-OVER PLATE ONLY 5" X 10" (10 pcs./PKG)	
7	3/8" LOCK NUT (100 pcs./PKG)	
11	3/8" WASHER (100 pcs./PKG)	
	SP 6.5" SQ X-OVER PL ONLY GALV (10 pcs. /PKG)	101179A
	U-BOLT ONLY 1.75" ID X 2 9/16" LG (20 pcs. /PKG)	20-6A
	U-BOLT 3/8, 2.5ID X 3.25L US (20 pcs. /PKG)	20-5A
	3/8-16 N.I. LOCK NUT, US (81 pcs. /PKG)	NUT3/8LN
	+3/8" FLAT WASHER, US (81 pcs. /PKG)	WAS3/8
12	3/8" X 3 1/2" HEX BOLT (50 pcs. /PKG)	90B1/2-5

FOR INFORMATION ON BRISKET BRACKET, ABS PIPE & ACCESSORIES (SEE FREESTALLS - 21-24)

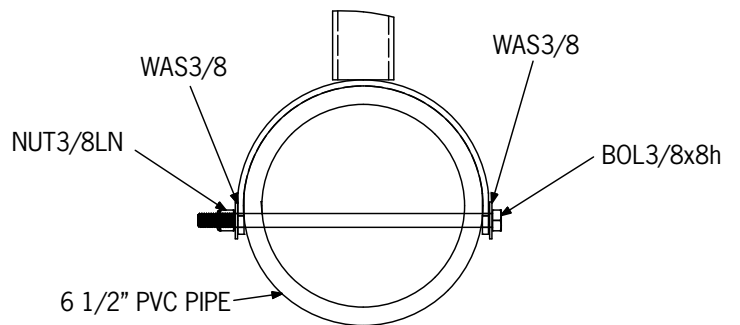
SLEEVE & COLLAR MOUNT FREESTALL DOUBLE ROW



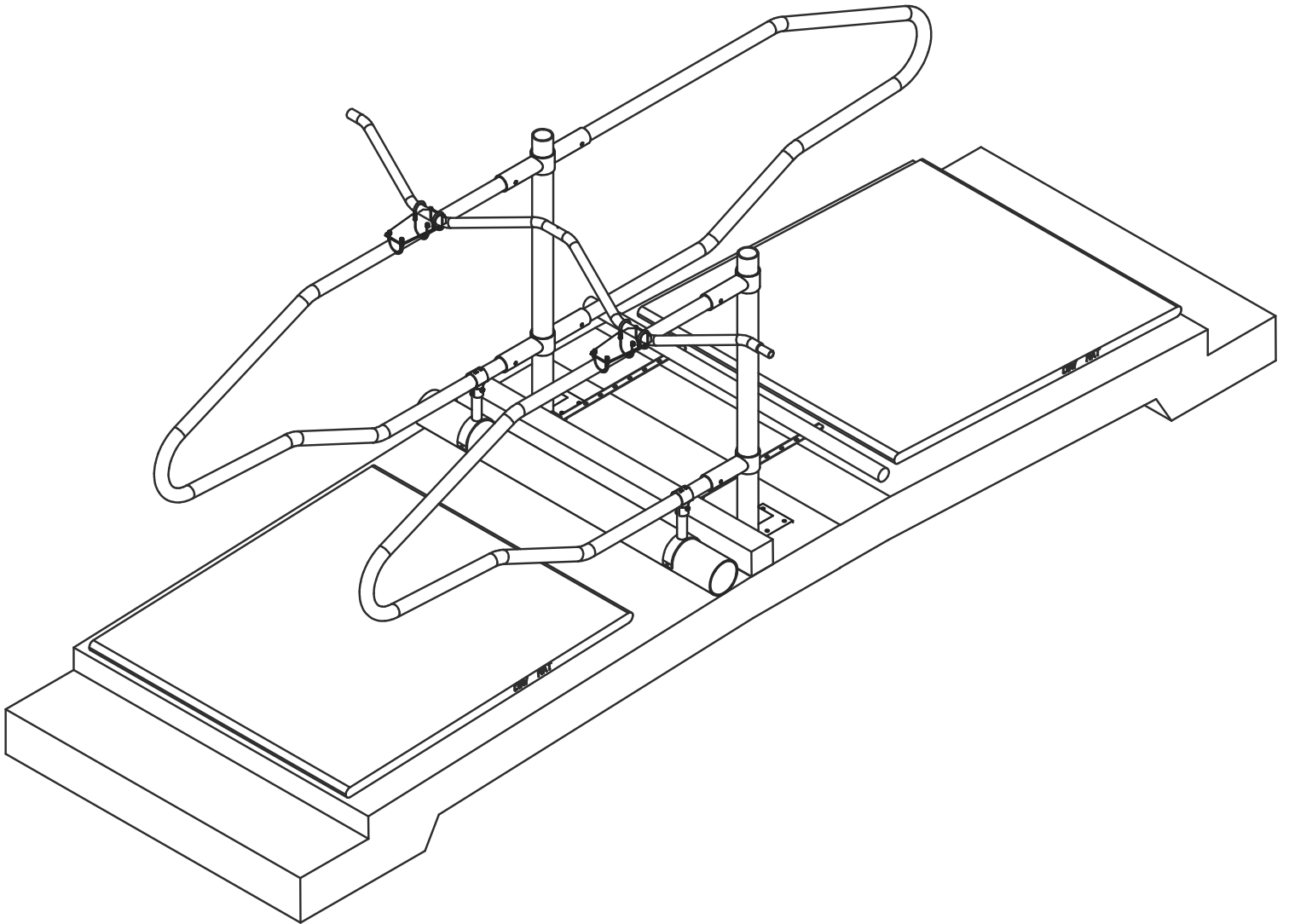
1012580 CURB MOUNT BRISKET BRACKET



1012576 BRISKET BRACKET

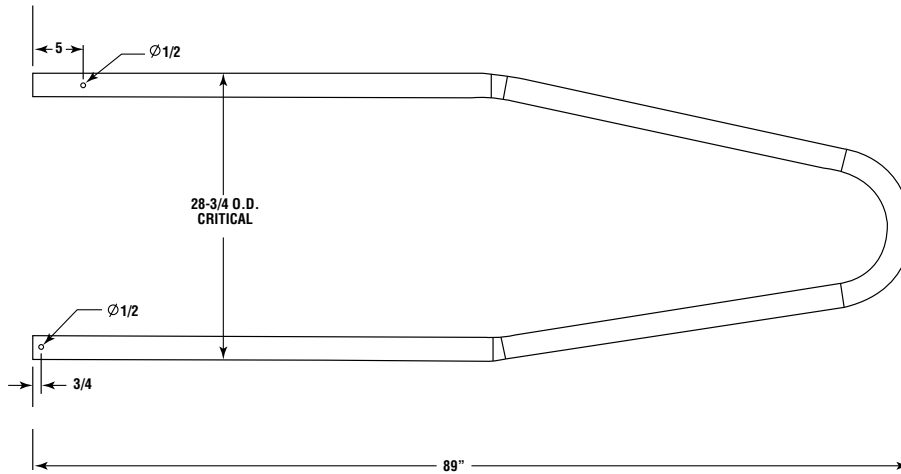


SLEEVE AND COLLAR FREESTALL LAYOUT
1012576 / 1012580



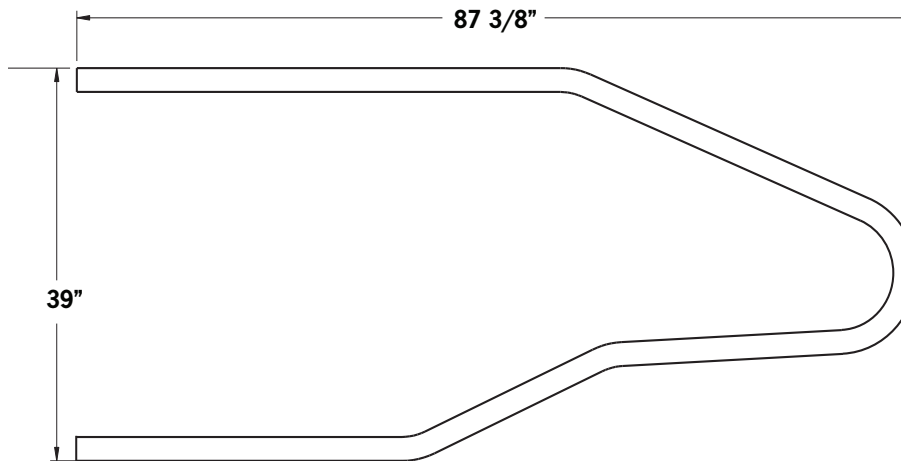
SAND LOOP NO PLATES
2 3/8" TUBE, .125 WALL

1012617 - 79" STALL
1012618 - 88" STALL
1012619 - 94" STALL

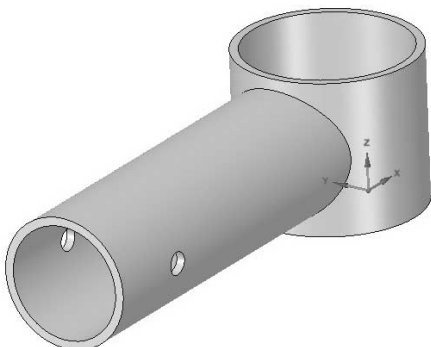


FREESTALL NO PLATES
2 3/8" TUBE, .125 WALL

1012487 - 79" STALL
1012818 - 88" STALL
1012489 - 94" STALL



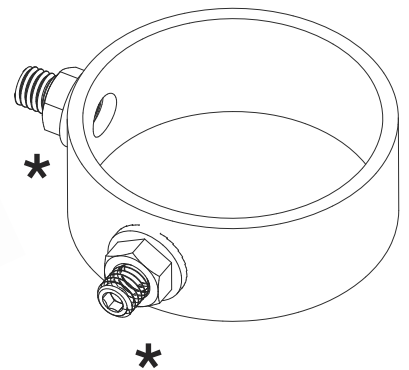
1012300S
GALV. SINGLE MOUNT COLLAR



1012300D
GALV. DOUBLE MOUNT COLLAR



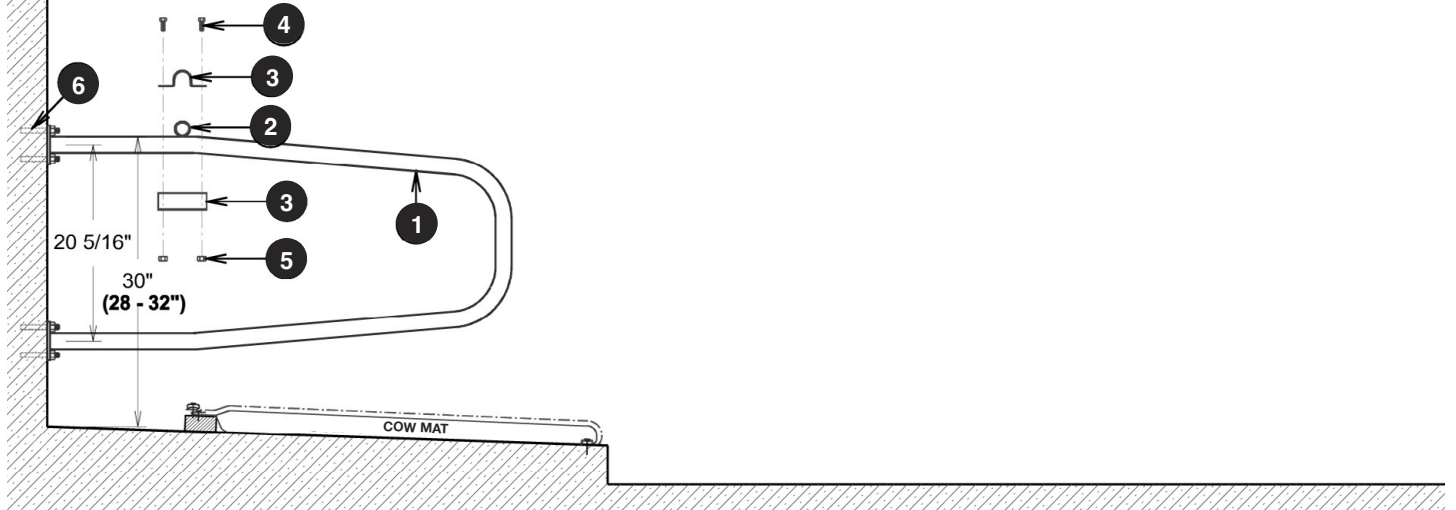
1440009CB - 4" OD 2" WIDE BOLT
ON COLLAR GALV. COLLAR



Canarm recommends using 2 holes 90°
from each other during installation

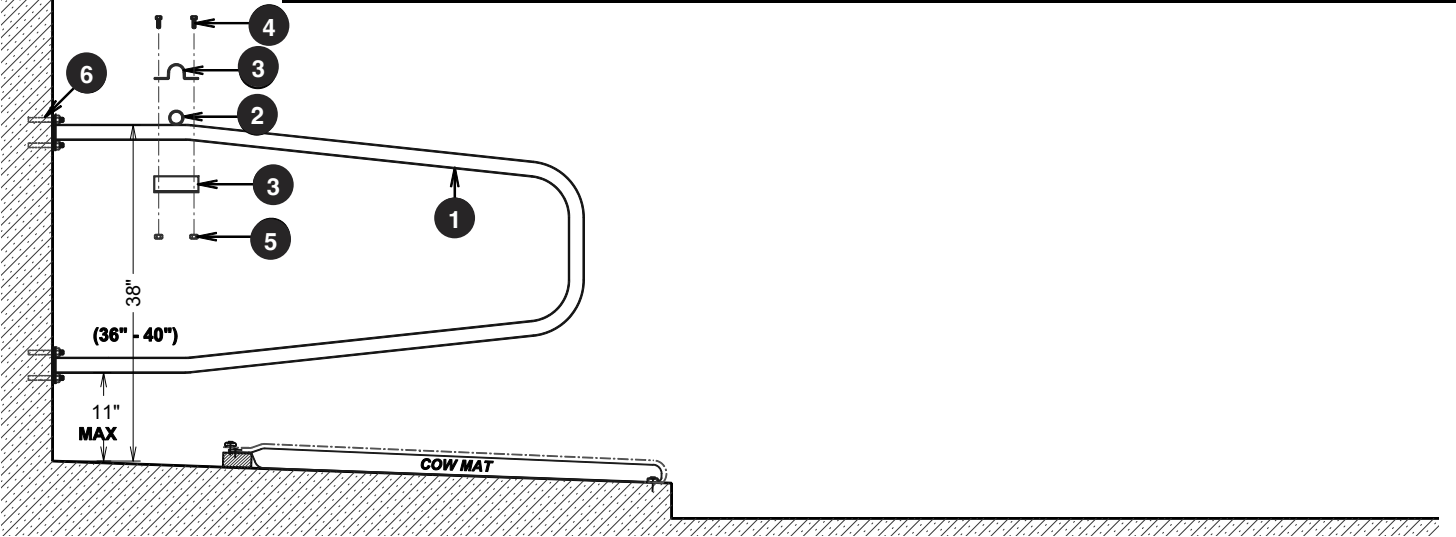
SUSPENDED FREESTALL 48" CALF STALL

ILLUS.	DESCRIPTION	PART #
1	48" CALF SUSPENDED FREESTALL	1012248
2	PRE GALV 1 5/8" HEADRAIL PIPE - 21 FT. LENGTH	1110400-1
3	1 5/8" U-FLANGE (65-AF)(20 pcs. / PKG)	101165-10
4	3/8" X 1" HEX BOLT (40 pcs. / PKG)	X-OVER CLAMP
5	3/8" NUT (40 pcs. / PKG)	1 5/8" X 1 5/8"
6	1/2" X 4" WEDGE ANCHOR (PKG of 50 - 12354-50)	1235004

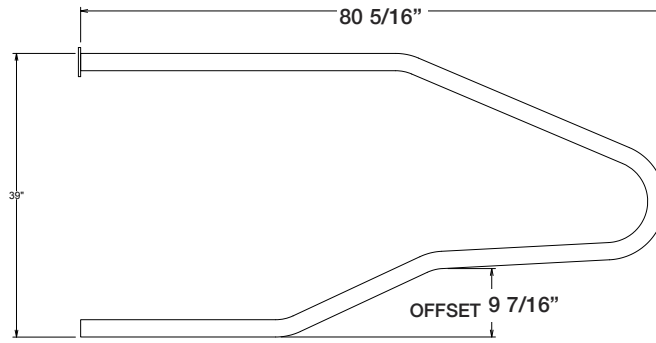


SUSPENDED FREESTALL 60" HEIFER STALL

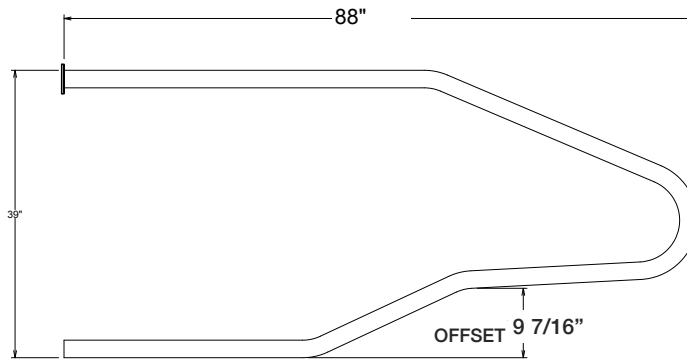
ILLUS.	DESCRIPTION	PART #
1	60" SUSPENDED HEIFER STALL (28" HIGH) (6" OFFSET)	1012260H
2	PRE GALV 1 5/8" HEADRAIL PIPE - 21 FT. LENGTH	1110400-1
3	1 5/8" U-FLANGE (65-AF)(20 pcs. / PKG)	101165-10
4	3/8" X 1" HEX BOLT (40 pcs. / PKG)	X-OVER CLAMP
5	3/8" NUT (40 pcs. / PKG)	1 5/8" X 1 5/8"
6	1/2" X 4" WEDGE ANCHOR (PKG of 50 - 12354-50)	1235004



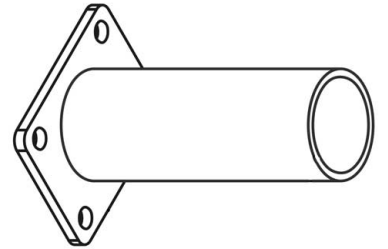
1022207
79.5" FREESTALL/COW
2 3/8" TUBE
.125 WALL
(9" OFFSET)



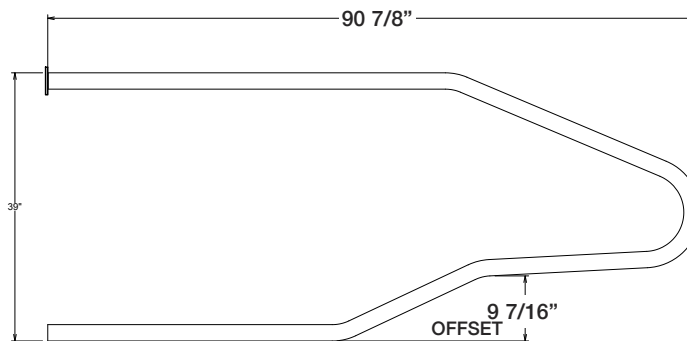
1022208
88" FREESTALL/COW
2 3/8" TUBE
.125 WALL
(9" OFFSET)



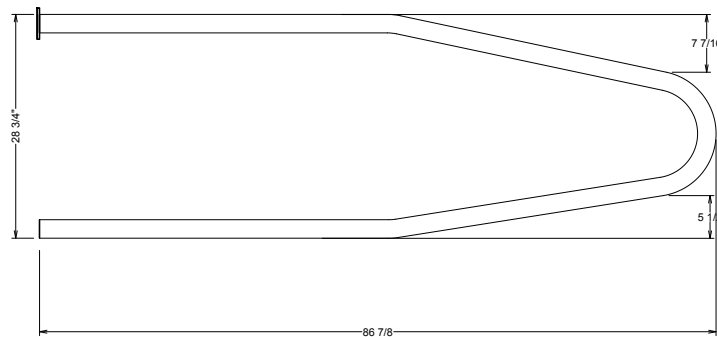
1012200-SL
FREESTALL NUT 8"
COLLAR & PLATE



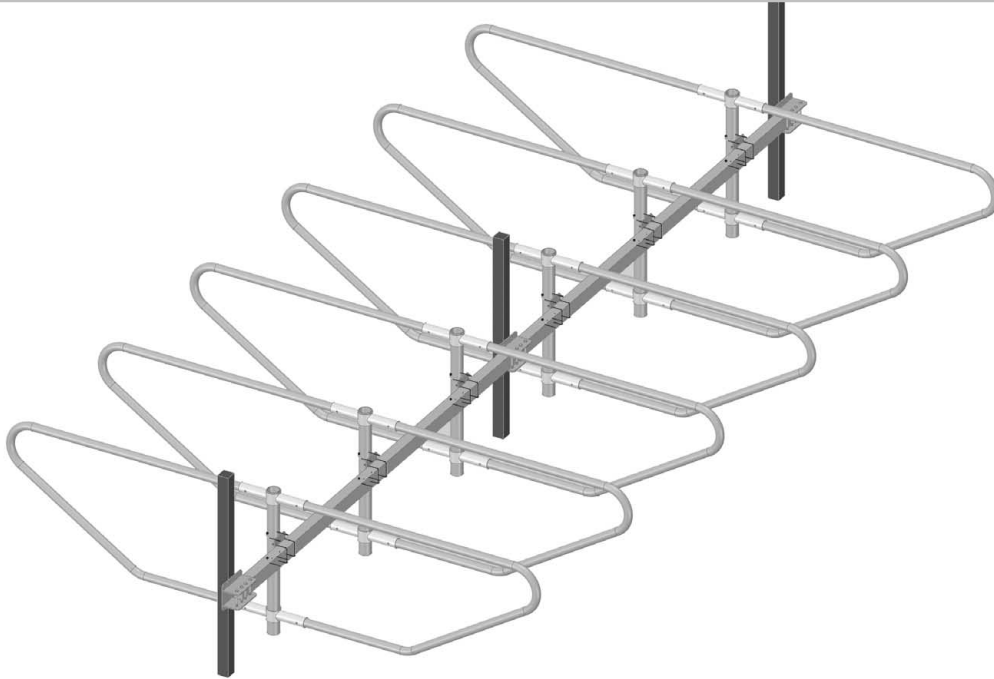
1022209
94" FREESTALL/COW
2 3/8" TUBE
.125 WALL
(9" OFFSET)



1022588
87" GALV FREESTALL
LOOP (SAND STALL)
2 3/8" TUBE
.125 WALL
(9" OFFSET)



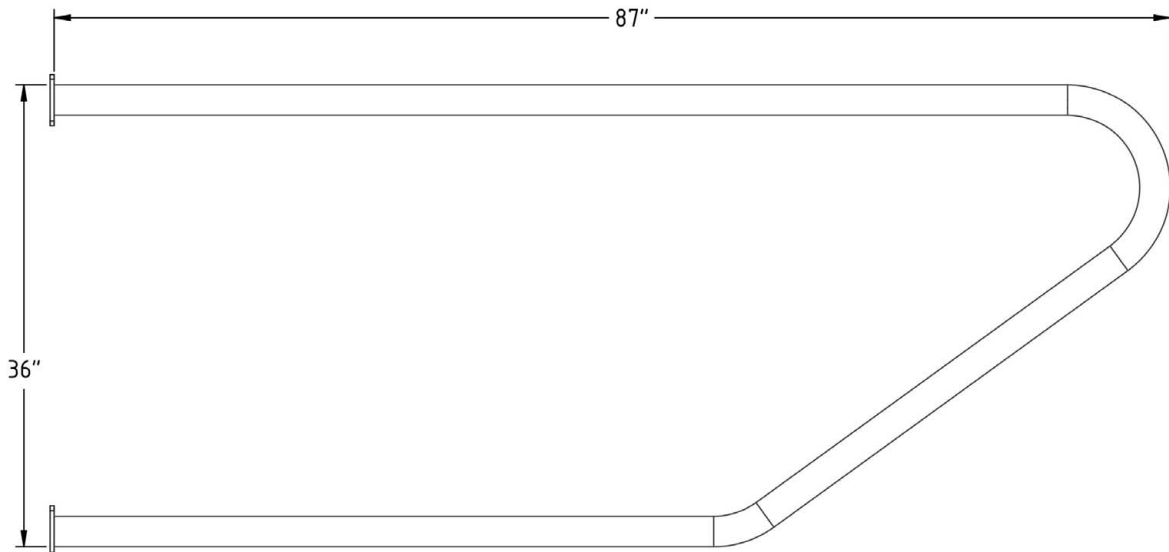
BEAM MOUNT FREESTALL ASSEMBLY



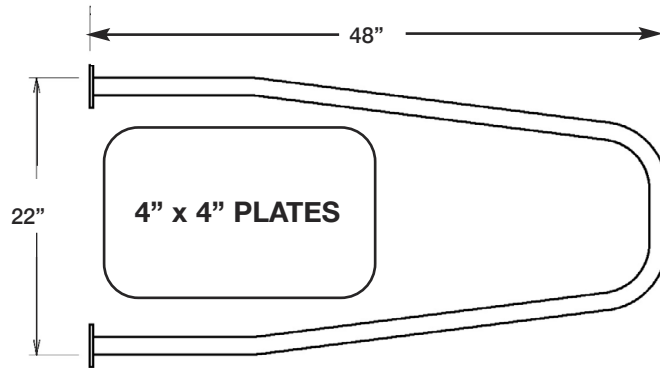
CALL FOR PRICING



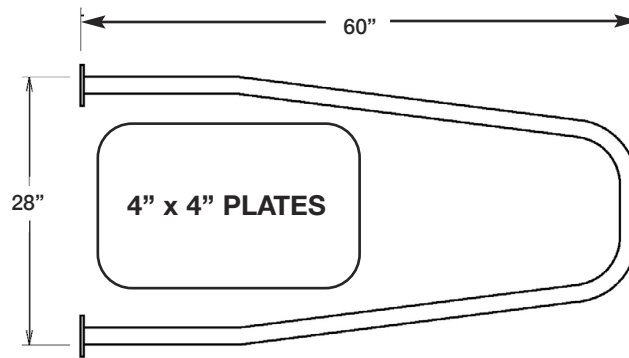
SPE19943-87
87" FREESTALL 2 3/8" TUBE/.125WALL



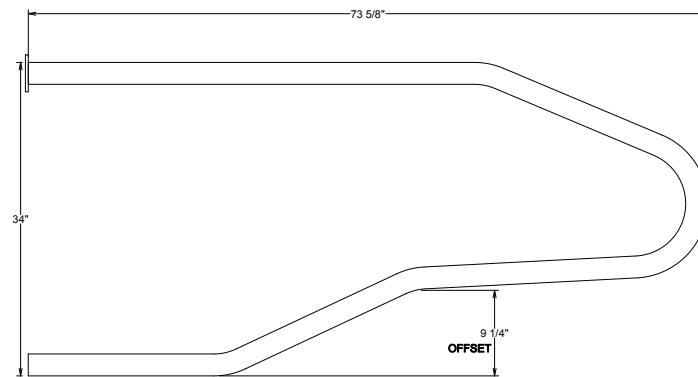
1012248
48" FREESTALL/CALF
1 5/8" TUBE
.140 WALL



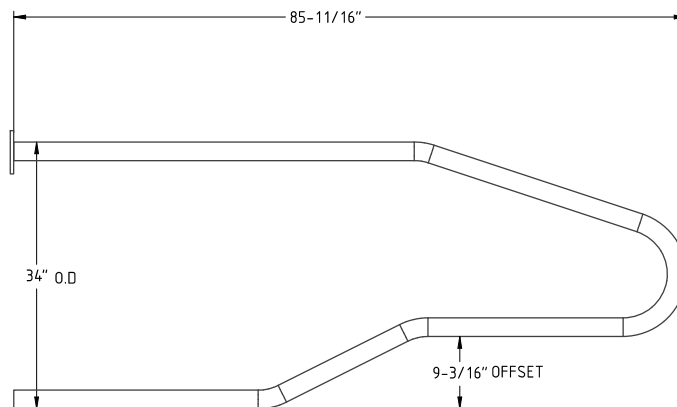
1012260H
60" FREESTALL/HEIFER
1 5/8" TUBE
.140 WALL



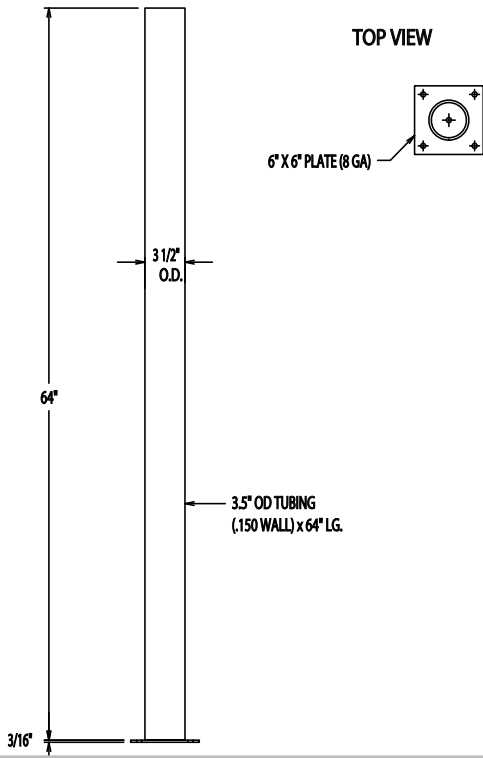
1022206
73" FREESTALL
(5" PL)(33" H)
2 3/8" TUBE
.125 WALL
(9" OFFSET)



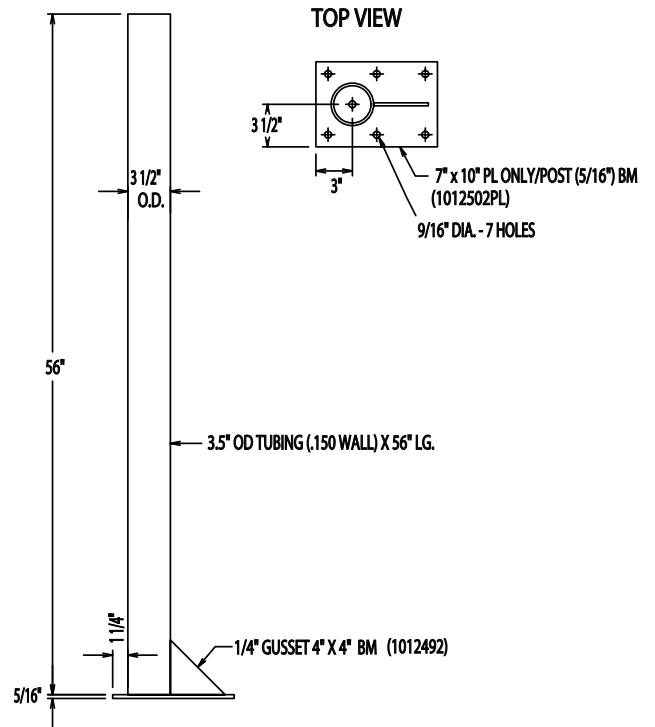
1022218
85" FREESTALL
(5" PL)(34" H)
2 3/8" TUBE
.125 WALL



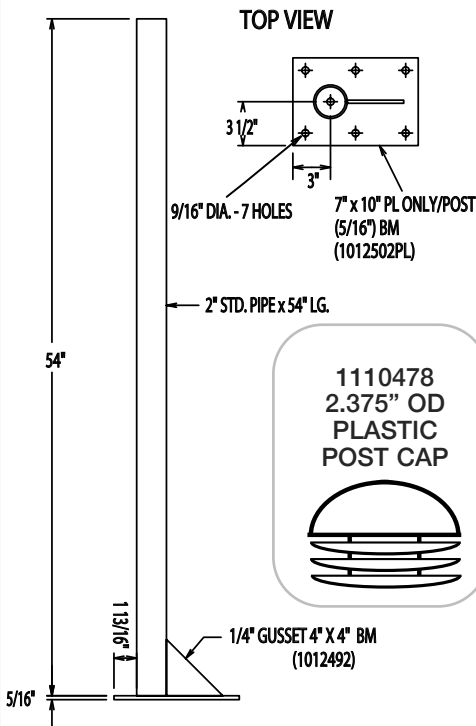
1012490
64" POST - (3.5" OD .150W) CEMENT IN



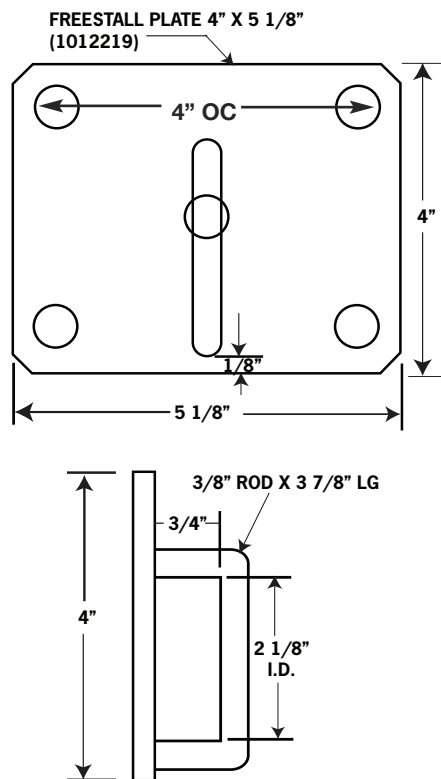
1012491
56" POST - (3.5" OD .150W) BOLT DOWN



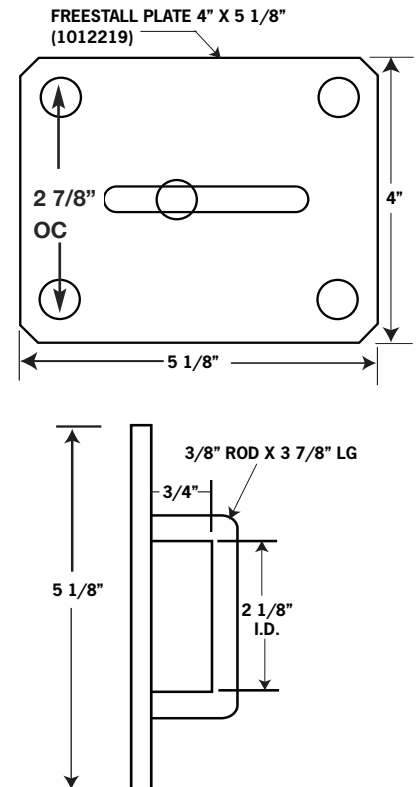
1012495 - 54" POST - (2.375" OD .154W) BOLT DOWN FOR 48" & 60" STALLS ONLY



1012494 - GALV. PLATE MOUNT/2" POLY STRAP
3 1/2" POST MOUNT



1012494-AB - GALV. PLATE MOUNT/2" POLY STRAP
FREESTALL MOUNT



1011540-10
X-OVER PLATE WITH U-BOLTS



20-620 - U-BOLTS 1.75" ID X 2 3/8" LG (PKG 20)



20-720 - U-BOLTS (1/2")
3 9/16" ID (BOX OF 20)



20-520 - U-BOLTS 2.5" ID
(BOX OF 20)



1110476-5 - END JOINER /
2 3/8" (BOX OF 5)



1110401-5 - HEADRAIL JOINER /
1 5/8" OD PIPE (BOX OF 5)



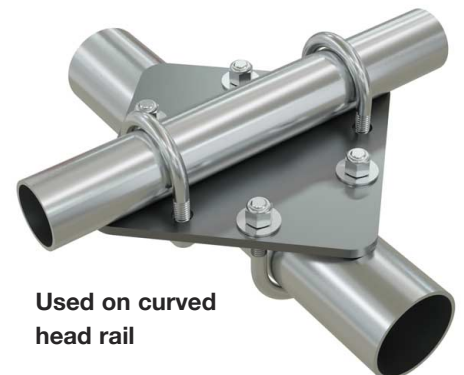
1110477-5 - HEADRAIL JOINER / 2
3/8" OD PIPE (BOX OF 5)



101169-10 - HD X-OVER (U-BOLT)
2 3/8" X 1 5/8" (BOX OF 10)



101179-10 DIAMOND HEAD RAIL
CLAMP 6 1/2" SQ.
PL. + U-BOLTS



Used on curved
head rail

101110E-10
T-CLAMP 1 1/4" X 1 1/4" (BOX OF 10)



101165-10
2 PC. X-OVER CLAMP - 1 5/8" (BOX OF 10)



101166-10
X-OVER CLAMP - 1 5/8" X 2 3/8" (BOX 10)



101167-10
X-OVER CLAMP - 2 3/8" (BOX OF 10)



CL-90240043
2 3/8" X 1 5/8" ONE BOLT T-CLAMP



CL-90240063
2 3/8" X 2 3/8" ONE BOLT T-CLAMP



CL-90240023
1 5/8" X 1 5/8" ONE BOLT T-CLAMP



CL-90360013
1 5/8" X 1 5/8" THREE BOLT T-CLAMP



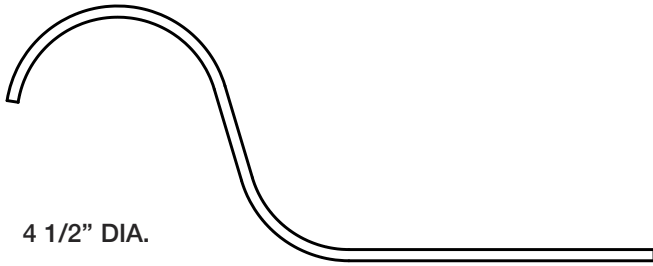
CL-90020053
1 5/8" X 1 5/8" CORNER CLAMP



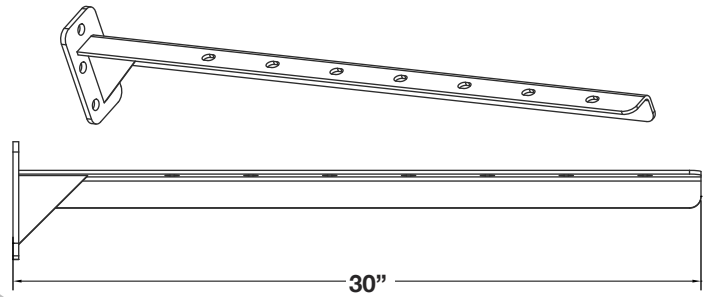
CL-90070043
1 5/8" 4-WAY CLAMP



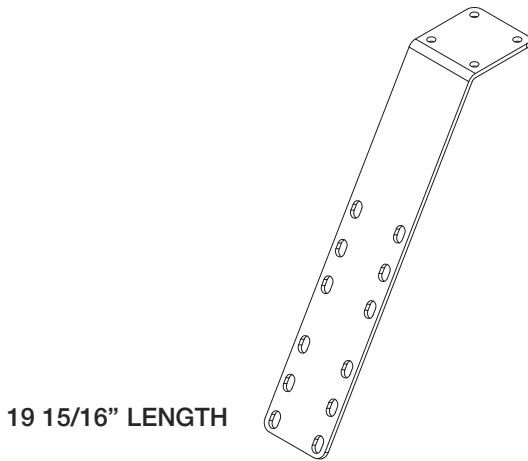
1012570
GLV FLOOR MOUNT BRISKET BRACKET



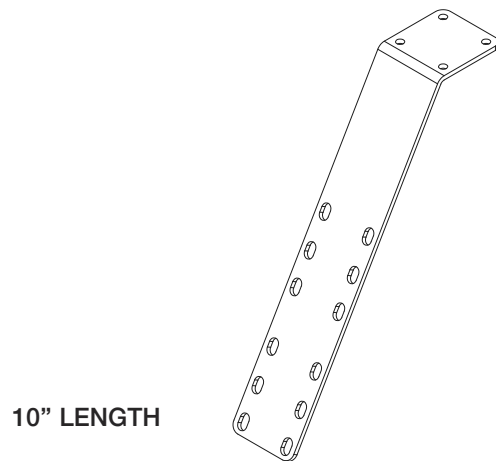
1012580
CURB MOUNT BRISKET BRACKET



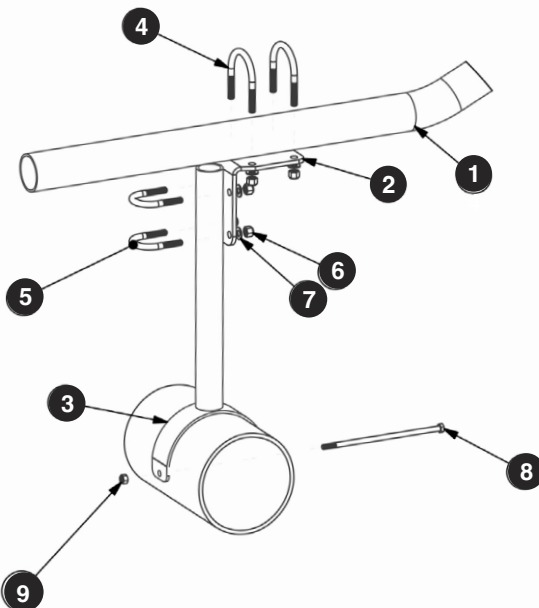
1012590
BRACKET FOR SAND



1012565
BRACKET FOR MATS



1012576
BRISKET BRACKET WITH MOUNTING BRACKET AND U-BOLTS



ILLUS.	DESCRIPTION	PART #
1	79" FREESTALL (5" PLATE) (39" HIGH) (9" OFFSET)	1022207
2	BOLT ON BRISKET BRACKET 2 3/8" PIPE TO 1 5/8" PIPE	1012576-BKT
3	GALV BRISKET BRACKET (18" STUB) BRISKET ONLY	1012575-B
4	U-BOLT 3/8, 2.5ID X 3.25L US (20/PKG)	20-5A
5	U-BOLT ONLY 1.75" ID X 2 9/16" LG (20/PKG)	20-6A
6	3/8" - 16 N.I. LOCK NUT, SS	NUT3/8LSS
7	3/8" SS FLAT WASHER	WAS3/8SS
8	5/16" - 18 X 8" HEXBOLT	BOL5/16-8HSS
9	5/16" SS NYLON LOCK NUT	NUT5/16LSS

HEIFER SIZE & WEIGHT			FREESTALLS				SELF LOCK FEED FRONTS						
Approx. Age (months)	Approx. Weight (lbs)	Height To Top Of Back	Freestall Arch Length	PLATFORM LENGTH		Stall Width (o.c.)	(iii) Brisket Locator	(iv) Neckrail	(v) Stall Height	Total Height (Cow Side)	(vi) CURB HEIGHT		Type of Self Lock
				Single Stalls	Double Stalls						Cow Side	Feed Side	
Birth	100		48"	55"	106"	26"	40"-43"	39"-41"	35"	44"	10"	5"	Adj. Calf
1	150	41"	48"	55"	106"	27"	42"-45"	41"-43"	36"	46"	10"	5"	Adj. Calf
2	200		48"	56"	106"	28"	44"-47"	43"-45"	37"	46"	12"	7"	Adj. Calf
3	275	41"	48"	57"	111"	30"	45"-48"	44"-46"	37"	48"	12"	7"	Adj. Calf
4	350	42"	48"	58"	111"	31"	47"-50"	46"-48"	40"	48"	12"	7"	Adj. Calf
5	400	44"	60"	67"	132"	32"	49"-52"	47"-49"	42"	50"	15"	11"	Adj. SLF
6	450	48"	60"	67"	132"	33"	50"-53"	48"-50"	42"	50"	15"	11"	Adj. SLF
7	500	49"	60"	68"	134"	35"	52"-54"	50"-52"	43"	50"	15"	11"	Adj. SLF
8	550	49"	60"	72"	136"	36"	52"-55"	54"-56"	43"	50"	15"	11"	Adj. SLF
9	600	50"	60"	72"	136"	37"	56"-59"	54"-56"	44"	52"	15"	11"	Adj. SLF
10	700	50"	60"	72"	139"	38"	56"-59"	55"-58"	44"	52"	15"	11"	Adj. SLF
11	750	51"	60"	84"	139"	39"	56"-59"	55"-58"	45"	54"	15"	11"	Adj. SLF
12 (i)	800	51"	72"	84"	159"	40"	57"-60"	57"-59"	45"	54"	15"	11"	Adj. SLF
13 (i)	850	52"	72"	86"	159"	40"	58"-61"	57"-59"	46"	56"	15"	11"	Adj. SLF
14 (i)	900	53"	72"	86"	163"	42"	58"-62"	58"-61"	46"	56"	18"	14"	Adj. SLF
15 (i)	950	55"	72"	90"	163"	42"	58"-62"	59"-62"	46"	58"	19"	14"	Cow
16	1010	55"	72"	90"	166"	44"	59"-62"	59"-62"	47"	58"	19"	14"	Cow
17	1060	55"	72"	96"	166"	44"	59"-62"	60"-64"	47"	60"	19"	14"	Cow
18	1120	56"	79"	100"	175"	46"	59"-62"	60"-64"	48"	60"	19"	14"	Cow
19	1150	56"	79"	100"	175"	46"	62"-65"	64"-68"	48"	60"	19"	14"	Cow
20	1190	58"	79"	102"	180"	46"	64"-67"	64"-68"	48"	61"	19"	14"	Cow
21	1230	60"	79"	102"	180"	47"	65"-68"	66"-70"	49"	61"	19"	14"	Cow
22	1270	60"	88"	108"	192"	48" +	70"	70"-72"	49"-51"	62"-63"	19"	14"	Cow
23	1310	60"	96"	120"	216"	50"-52"	70"	70"-72"	50"-52"	62"-63"	19"	14"	Cow
24 (ii)	1350	60"	96"										Cow
Cows (std.)	85" loop	58"-60"											
Cows (std.)	94" loop	58"-60"											

USE CALF PENNING FOR ANIMALS UNDER 200 LBS. (See Calf Suites Section)

GUIDELINES ONLY! MUST INSTALL FREESTALLS TO MATCH ANIMAL SIZE

- i = breeding age
- ii = calving age
- iii = horizontal distance from rear of platform to bottom of brisket bracket
- iv = horizontal distance from rear of platform to o.c. neckrail
- v = stall height from top of compressed bedding (or mat) to bottom of headrail
- vi = 1 1/2" space between curb and bottom pipe of SLF
- * new recommendations for 1600 lb. + cows (must use 101169-10 clamp for 85" & 94" loops)

SPREAD DIVIDERS TO MATCH THE INSTALLATION HEIGHTS GIVEN

DAIRY PRODUCTS

PRODUCT	PIPE SIZE	WALL THICKNESS	GAUGE
FREESTALLS			
Cow/Heifer	2 3/8" O.D.	.125 Wall	Heavy 11 ga
Calf	1 5/8" O.D.	.140 Wall	Heavy 10 ga
GATES			
Premium	1 5/8" O.D.	.100 Wall	12 ga
Select Line	1 5/8" & 1 5/16" O.D.	.100 Wall	12 ga
HEADRAIL			
1 5/8"	1 5/8" O.D.	.140 Wall	Heavy 10 ga
2 3/8"	2 3/8" O.D.	.154 Wall	Heavy 9 ga

GAUGE OF TUBING	GAUGE TOLERANCE (INCHES)	ACTUAL WALL THICKNESS (INCHES)
14 ga	.071 - .081	0.074
13 ga	.082 - .096	0.085
12 ga	.097 - .111	0.100
11 ga	.112 - .126	0.115
10 ga	.127 - .141	0.130
9 ga	.142 - .156	0.145
8 ga	.157 - .170	0.160

ORDERING GUIDELINES

1. Order freestall loop - Available in 79", 88" or 94" hot dipped galvanized
2. Order floor mount bracket - 1012221 - one per stall
3. Order headrail clamps - Order 101169 or 101179 (plate + U-bolts) - one per stall
4. Order 1 5/8" headrail - Galvanized (1110400-1)
5. Order post -1012688-PST post to be mounted 16' apart
6. Order clamps - Order one per loop 1012688-CL1 - Single Row
- Order one per pair of loops 1012688-CL - Double Row

ORDERING GUIDELINES

1. Order stalls
 - Specify length
 - Available in calf (48" (1 5/8")), heifer (60" (1 5/8") & 73" (2 3/8")) and cow (79.5", 88" & 94" (2 3/8"))
 2. Order bottom mount bracket
 - Part 1012200-SL (73", 79.5", 88" and 94") 1 per stall
 3. Order headrail
 - Order headrail joiners and end joiners
 - Order 1 5/8" pipe for top of freestall or comfy curve headrail
 - If pipe mount order 2 3/8" pipe for mounting stalls on pipes
 4. Order U-bolts
 - Order 3 9/16" (20-720) U-bolts for mounting freestalls direct to 3.5" posts (4 per stall)
- OPTION:** If mounting stalls head to head on 3.5" posts, order 1/2" x 5" hex bolts + nuts (4/stall)
If mounting stalls to 2 3/8" pipe, order 2.5" id U-bolts (20-520) (single row), or 1/2" x 4" hex bolts for head to head.
5. Order freestall mounting posts
 - Order bolt-down or cement-in posts
 - If ordering bolt-down posts, also order anchor bolts (1/2" x 3 3/4") (4/post)
 6. Order brisket brackets
 - One per stall, if required
 - Order anchors (9/16" holes)
 7. Order clamps
 - Order 1 5/8" x 2 3/8" for mounting headrail to stall

NOTE: Must use 101169-10 OR 101179-10 with 88" and 94" stalls.

 - Order 2 3/8" x 3.5" (2 per post) to attach horizontal pipes for mounting freestalls
 8. Nylon strap brackets
 - Post mount need U-bolts (20-720)
 - Stall mount U-bolts (20-520)
 - Need to order strap (1012494-STR)
 - Order ratchet (1012494-RAT)
 - Order plates
 - Post mount (1012494)
 - Stall mount (1012494-AB)

ORDERING GUIDELINES

1. Order Freestall Loops - Available in 79", 88" or 94" lengths hot dipped galvanized
2. Order Posts - Order bolt-down or cement-in posts
3. Order Collars -
 - Single row (2 per loop)
 - Double row (1 double per loop)
 - 1 bolt on collar per post
4. Order Headrail -
 - Order ONE 3 1/2" x 3/8" bolt + nut per loop
 - Order headrail joiners and end joiners
 - Order comfy curve headrail same as stall width
5. Order Clamps - Order 1 5/8" x 2 3/8" for mounting headrail to stall
NOTE: Must use 101169-10 OR 101179-10 with 88" and 94" stalls.
NOTE: Must use 101169-10 for single rows.