



FEATURES

- Exclusive clamp-on ends with option of trimming gate to exact size required on site.
- Various lengths available.
- Heavy-duty construction ensures years of trouble free service.
- Hot dipped galvanized for increased durability.



GATE OPTIONS

- 4-Bar Gates.
- 5-Bar Gates.
- 2-Bar Alley Gates.
- Flip-over Gates.
- Parlour Gates.
- 2020 3 & 4 Bar Bolt Together Gates.

LATCH OPTIONS

- Heavy duty self-catching latch.
- Clamp-on spring loaded latch.
- Chain latch.
- Double pin.

4 & 5 BAR GATE FEATURES

- 2 adjustable hinge options.
- Cost effective.
- Adjustable length.
- Telescopic option.
- Galvanized.

MAXIMIZES SPACE • EASY TO USE • CONVENIENT

Canarm AgSystems offers a unique spring loaded one arm gate that keeps your alleys open when in the up position, but allows you to effectively guide cow traffic when closed. Its innovative spring design makes it easy to raise and lower.

FEATURES

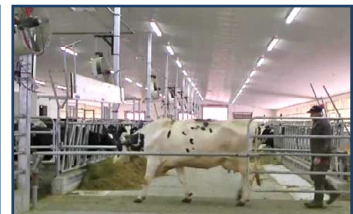
- Exclusive clamp-on ends with option of trimming gate to exact size required on site.
- Various lengths available.
- Heavy-duty construction ensures years of trouble free service.
- Hot dipped galvanized for increased durability.

See the SPRING LOADED ONE ARM GATE in action.
Visit our YouTube channel, our product page or scan the QR code.



EASY TO USE

Simply lower two gates across alley to effectively guide cow traffic.



CANARM LTD. - Corporate Office
PO Box 367 2157 Parkedale Ave.,
Brockville, ON
Canada K6V 5V6
Tel: (613) 342-5424 Fax: 1-800-263-4598

Arthur Manufacturing Facility
#7686 Concession 16, RR 4
Arthur, ON
Canada N0G 1A0
Tel: (519) 848-3910 Fax: (519) 848-3948

Montréal Warehouse
2555 Rue Bernard Lefebvre
Laval, QC
Canada H7C 0A5
Tel: (450) 655-2535 Fax: (450) 665-0910

CANARM LTD. - USA Warehouse
808 Commerce Park Drive
Ogdensburg, New York,
USA 13669
Tel: 1-800-267-4427 Fax: 1-800-263-4598



WELD FREE GATE SYSTEM

No more welding!
Simply clamp on to install.

FEATURES

- Weld free 3 and 4 bar fence and gate system.
- Easy install no weld fence and gate system.
- 2" o.d. main frames.
- 3.5" heavy square posts.
- Easy slide in ends means no cutting on site.



CANARM LTD. - Corporate Office
PO Box 367 2157 Parkedale Ave.,
Brockville, ON
Canada K6V 5V6
Tel: (613) 342-5424 Fax: 1-800-263-4598

Arthur Manufacturing Facility
#7686 Concession 16, RR 4
Arthur, ON
Canada N0G 1A0
Tel: (519) 848-3910 Fax: (519) 848-3948

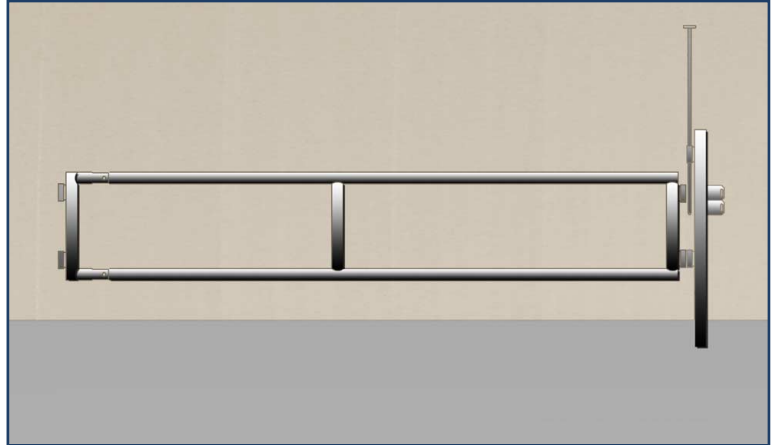
Montréal Warehouse
2555 Rue Bernard Lefebvre
Laval, PC
Canada H7C 0A5
Tel: (450) 655-2535 Fax: (450) 665-0910

CANARM LTD. - USA Warehouse
808 Commerce Park Drive
Ogdensburg, New York,
USA 13669
Tel: 1-800-267-4427 Fax: 1-800-263-4598

2020 3 AND 4 BAR BOLT TOGETHER GATES AND FENCE



2 BAR ALLEY GATES



4 BAR GATES



CALF GATES



5 BAR STANDARD GATES



CANARM LTD. - Corporate Office
PO Box 367 2157 Parkedale Ave.,
Brockville, ON
Canada K6V 5V6
Tel: (613) 342-5424 Fax: 1-800-263-4598

Arthur Manufacturing Facility
#7686 Concession 16, RR 4
Arthur, ON
Canada N0G 1A0
Tel: (519) 848-3910 Fax: (519) 848-3948

Montréal Warehouse
2555 Rue Bernard Lefebvre
Laval, QC
Canada H7C 0A5
Tel: (450) 655-2535 Fax: (450) 665-0910

CANARM LTD. - USA Warehouse
808 Commerce Park Drive
Ogdensburg, New York,
USA 13669
Tel: 1-800-267-4427 Fax: 1-800-263-4598

www.canarm.com
Subject to Change without notice.

agsales@canarm.ca
Printed in Canada

CROSS ALLEY 1 BAR GATES



SPRING LOADED ONE ARM GATES



FLIP OVER GATES



PARLOUR GATES



CANARM LTD. - Corporate Office
PO Box 367 2157 Parkedale Ave.,
Brockville, ON
Canada K6V 5V6
Tel: (613) 342-5424 Fax: 1-800-263-4598

Arthur Manufacturing Facility
#7686 Concession 16, RR 4
Arthur, ON
Canada N0G 1A0
Tel: (519) 848-3910 Fax: (519) 848-3948

Montréal Warehouse
2555 Rue Bernard Lefebvre
Laval, PC
Canada H7C 0A5
Tel: (450) 655-2535 Fax: (450) 665-0910

CANARM LTD. - USA Warehouse
808 Commerce Park Drive
Ogdensburg, New York,
USA 13669
Tel: 1-800-267-4427 Fax: 1-800-263-4598

FINGER GATES



SCRAPE ALLEY GATES



SCRAPE ALLEY GATES WITH CLEAN WALKS



CLEAN WALK BRIDGE



CANARM LTD. - Corporate Office
PO Box 367 2157 Parkedale Ave.,
Brockville, ON
Canada K6V 5V6
Tel: (613) 342-5424 Fax: 1-800-263-4598

Arthur Manufacturing Facility
#7686 Concession 16, RR 4
Arthur, ON
Canada N0G 1A0
Tel: (519) 848-3910 Fax: (519) 848-3948

Montréal Warehouse
2555 Rue Bernard Lefebvre
Laval, QC
Canada H7C 0A5
Tel: (450) 655-2535 Fax: (450) 665-0910

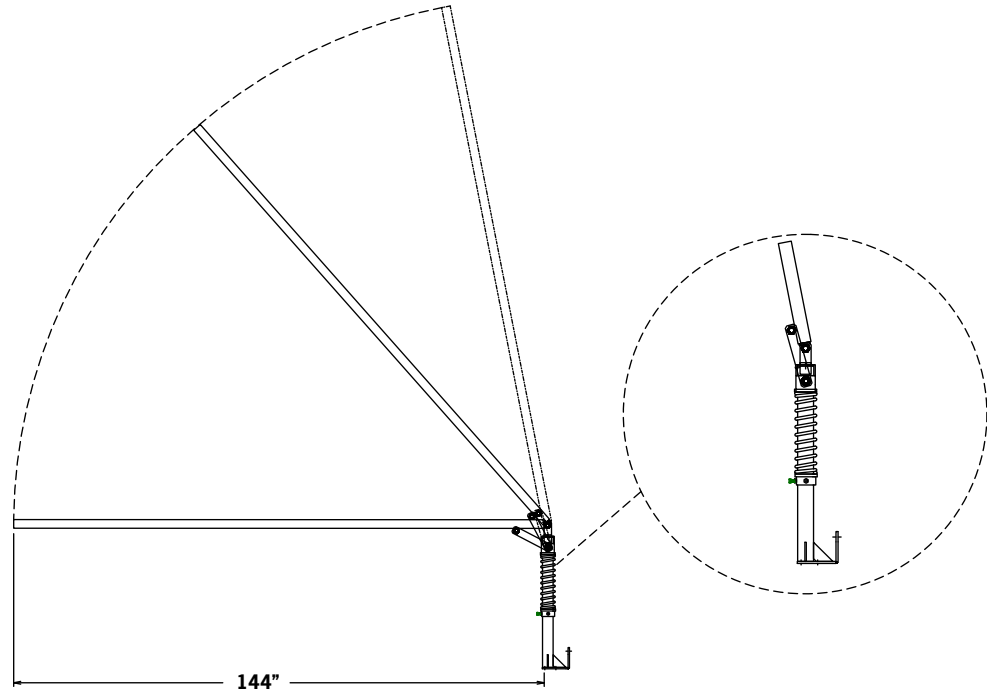
CANARM LTD. - USA Warehouse
808 Commerce Park Drive
Ogdensburg, New York,
USA 13669
Tel: 1-800-267-4427 Fax: 1-800-263-4598

www.canarm.com
Subject to Change without notice.

agsales@canarm.ca
Printed in Canada

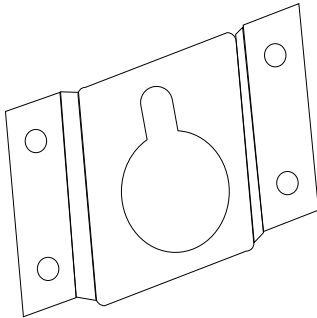
1442700-12
12' LG SPRING LOADED GATE (1 BAR)

Note: Call about adjustable or suspended post.

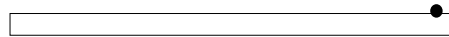


LATCH OPTIONS

1442710-PL
KEYHOLE LATCH BRACKET



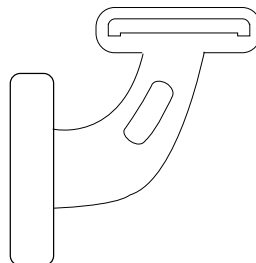
1442710-5
5' LG GLV S.L.G. EXTENSION
1442710-10
10' LG GLV S.L.G. EXTENSION



1442710-PLCK
16" LG PIPE LOCK CONNECTOR

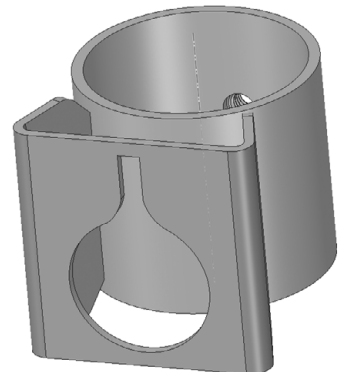
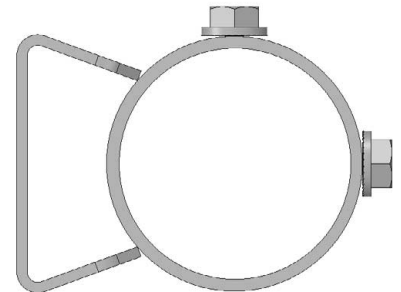


1442704LCK - SPRING ARM
GATE LOCK ARM
TEMP LOCK ONLY

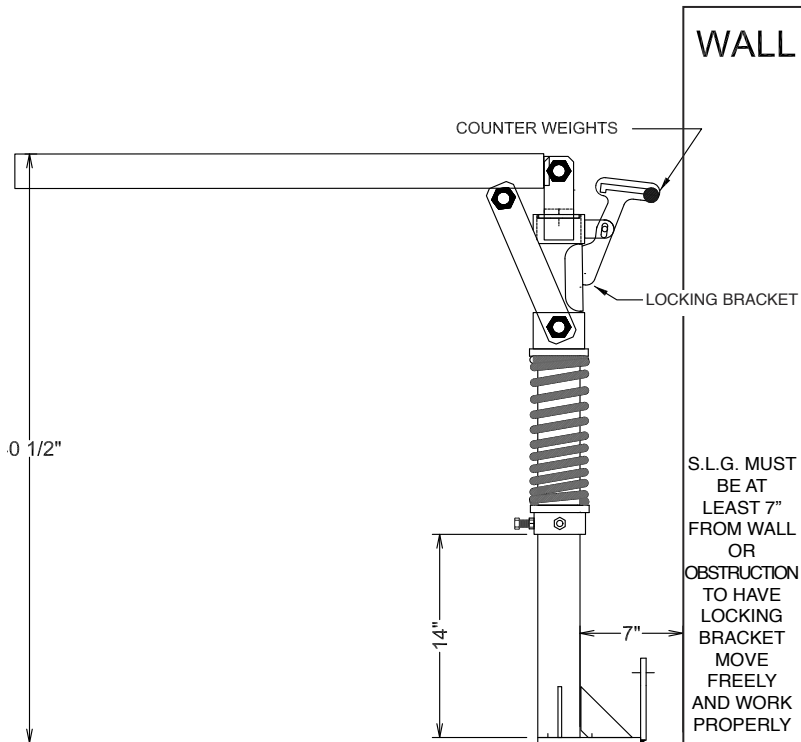


KEY LOCKS

1444288-PL
KEY LOCK BRACKET FOR
3 1/2" ROUND POST



LOCKED POSITION



TO LOCK ARM:
MOVE COUNTER WEIGHTS TO BACK OF BRACKET GUIDE AND THEN PROCEED TO BRING DOWN ARM TO 90 DEGREES. TO LOCK INTO PLACE, PUSH ARM PAST 90 DEGREES TO ALLOW COUNTER WEIGHTS TO PUSH BRACKET INTO PLACE. LIFT ARM BACK UP SLOWLY TO ENSURE LOCKING HAS OCCURED.

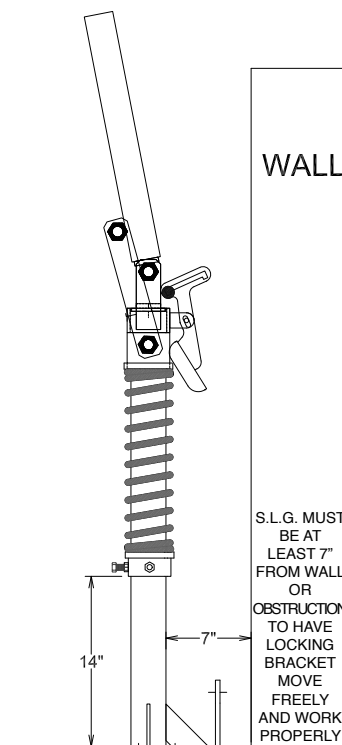


CAUTION

THIS LOCKING BRACKET IS NOT RECOMMENDED TO BE A MAIN LOCK OUT OR HOLD DOWN FOR THE S.L.G.

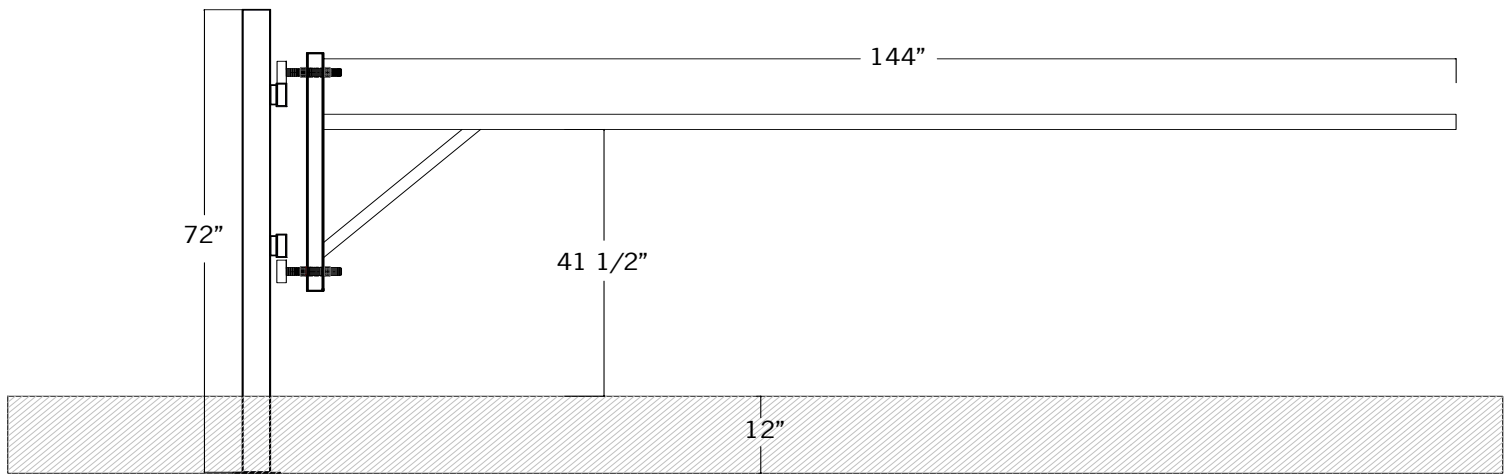
IT IS RECOMMENDED TO BE A SHORT TERM LOCK OUT ONLY.

OPEN POSITION

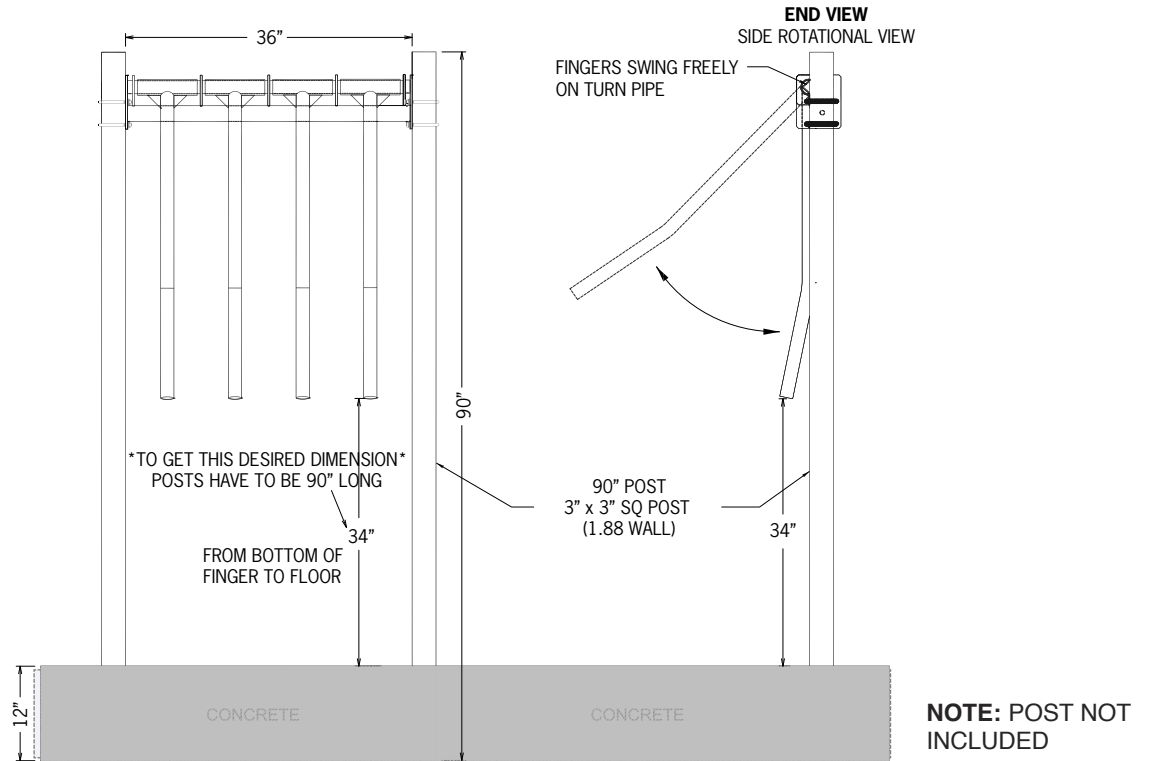


TO RELEASE ARM:
MOVE COUNTER WEIGHTS TO FRONT OF BRACKET GUIDE AND THEN PROCEED TO END OF ARM AND PRESS DOWN TO COMPRESS SPRING PAST 90 DEGREES AND THE COUNTER WEIGHTS WILL MOVE THE BRACKET OUT OF THE SPRINGS WAY.

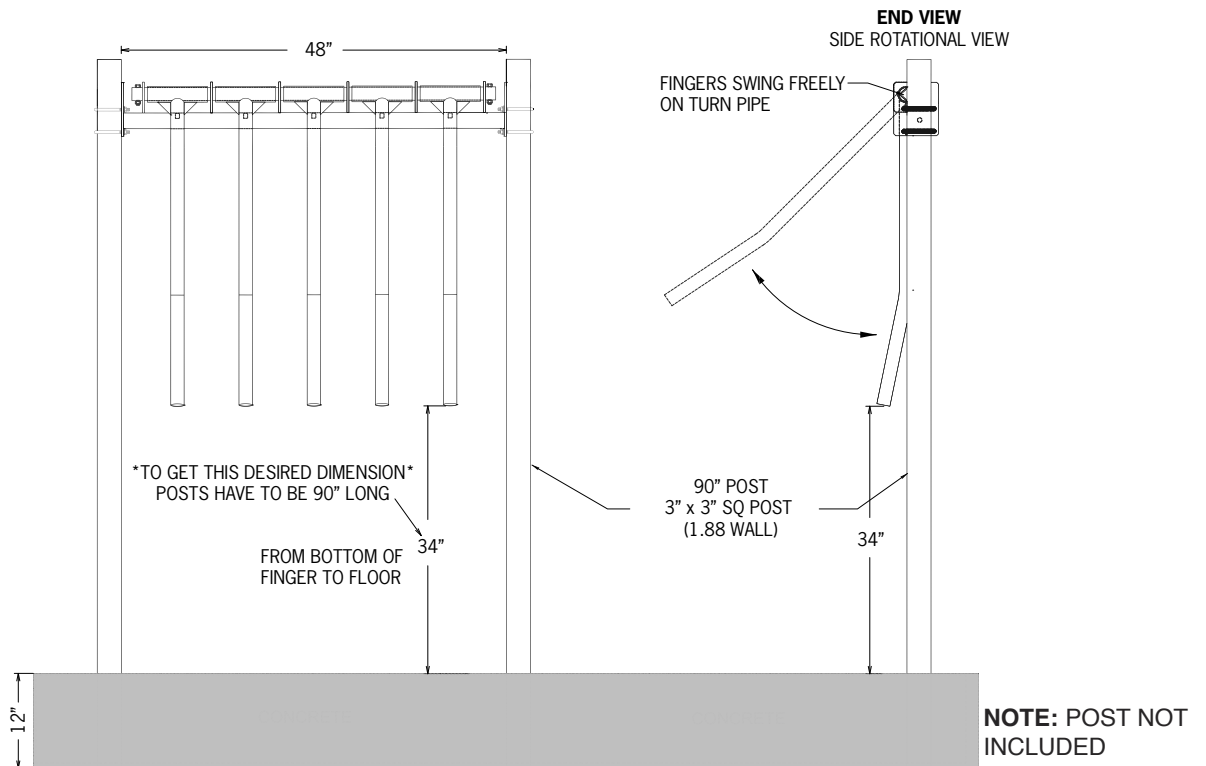
1442550
12' LG SPRING LOADED GATE (1 BAR)



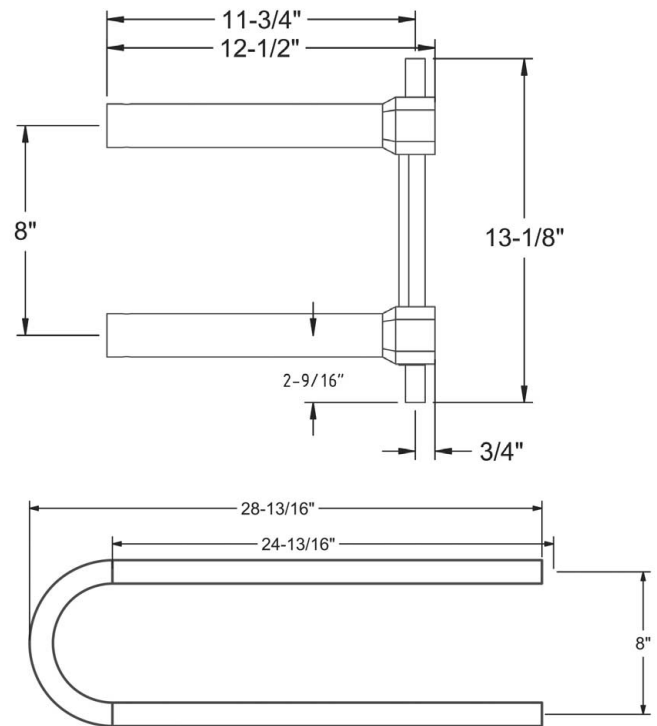
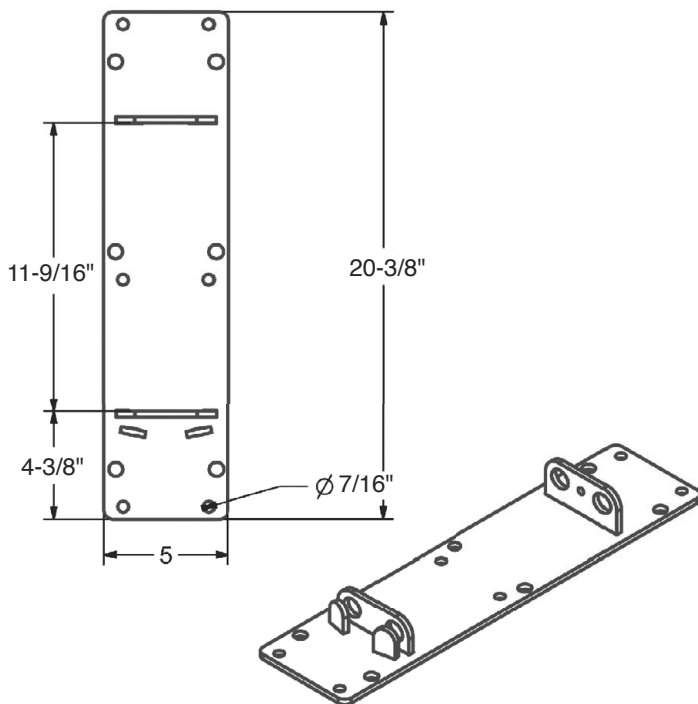
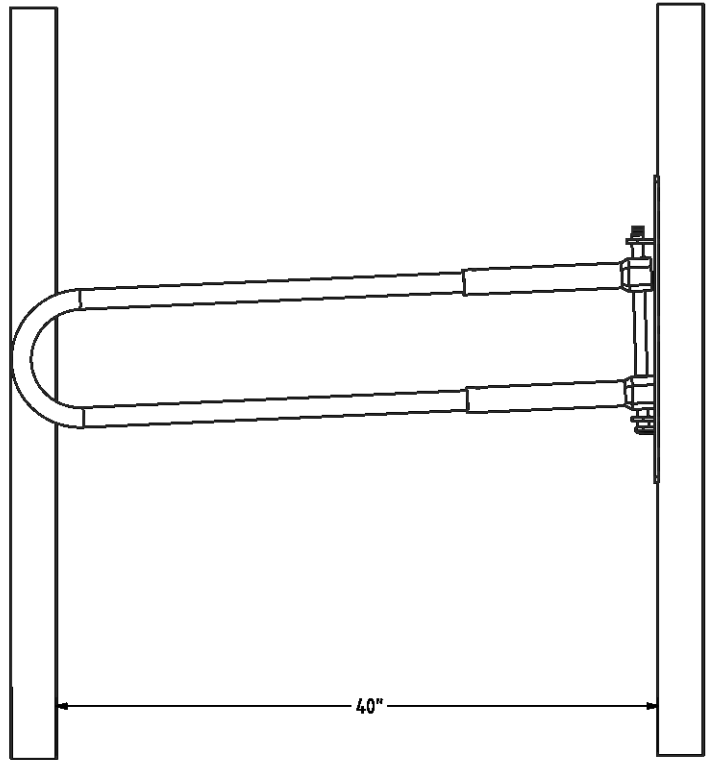
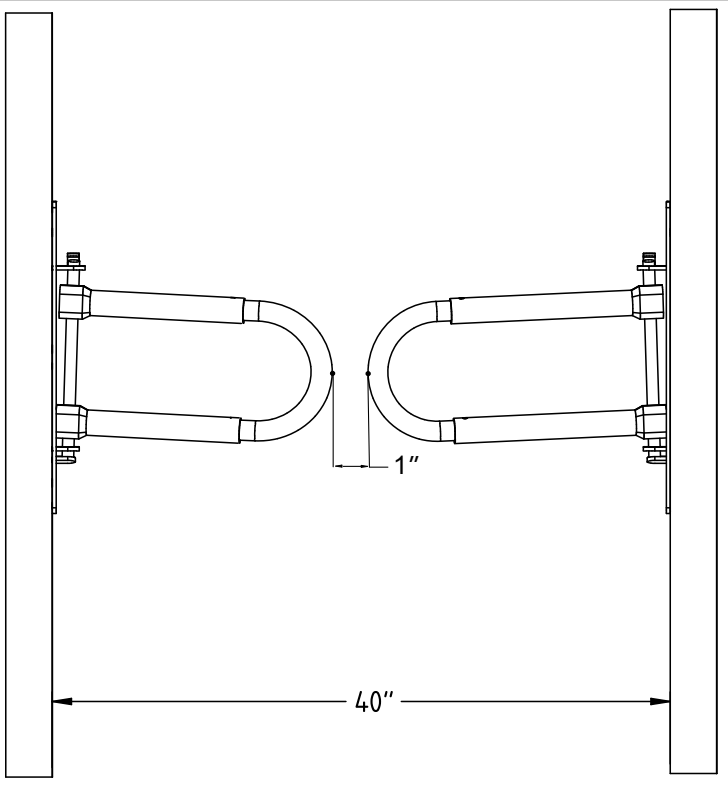
1442600-36PK
36" FINGER GATE ASSEMBLY



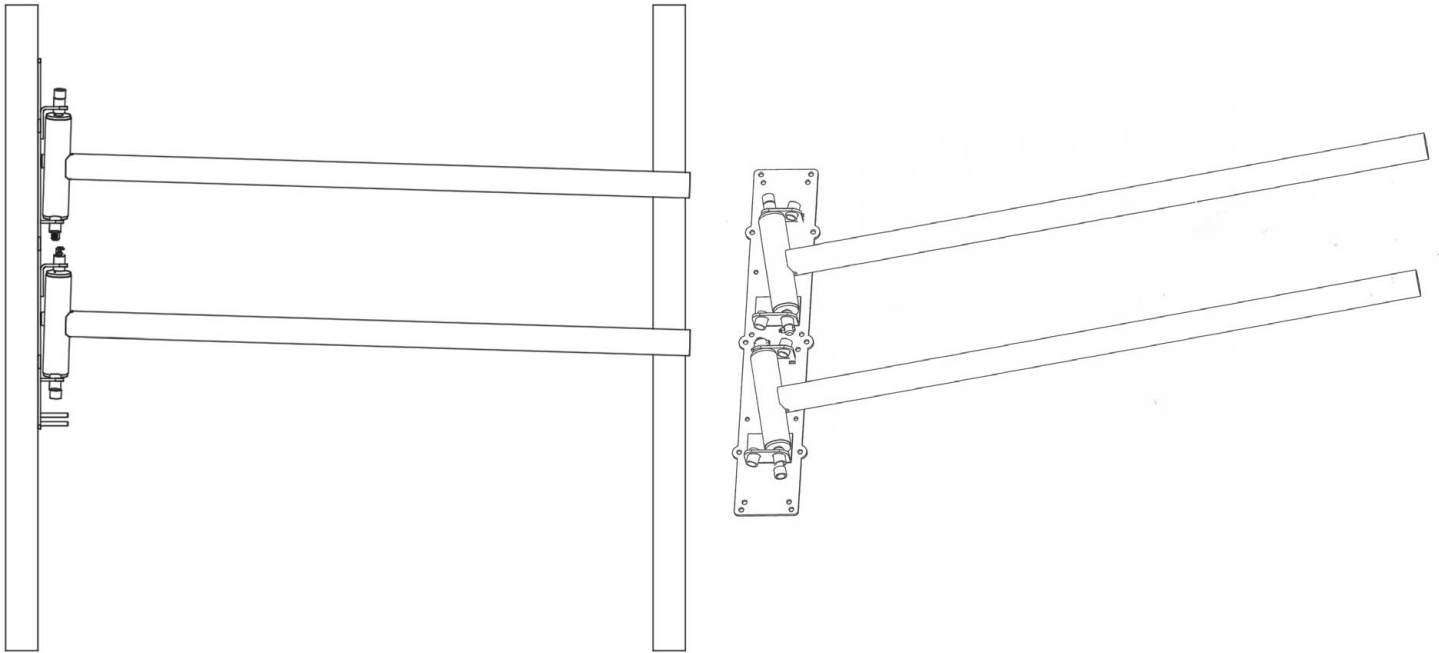
1442600-48PK
48" FINGER GATE ASSEMBLY



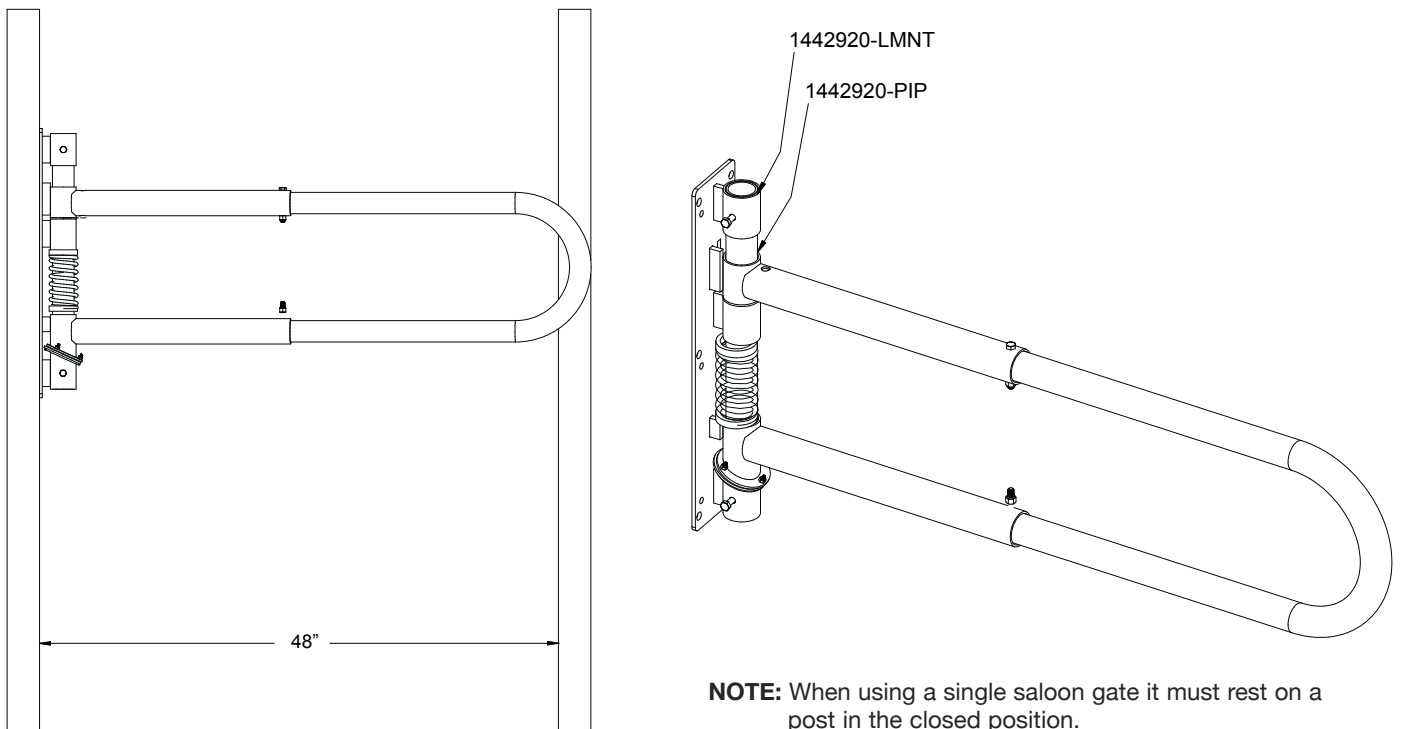
1442910
ADJUSTABLE SALOON GATE (18" TO 36" OPENINGS)



1442940 CHECK GATE

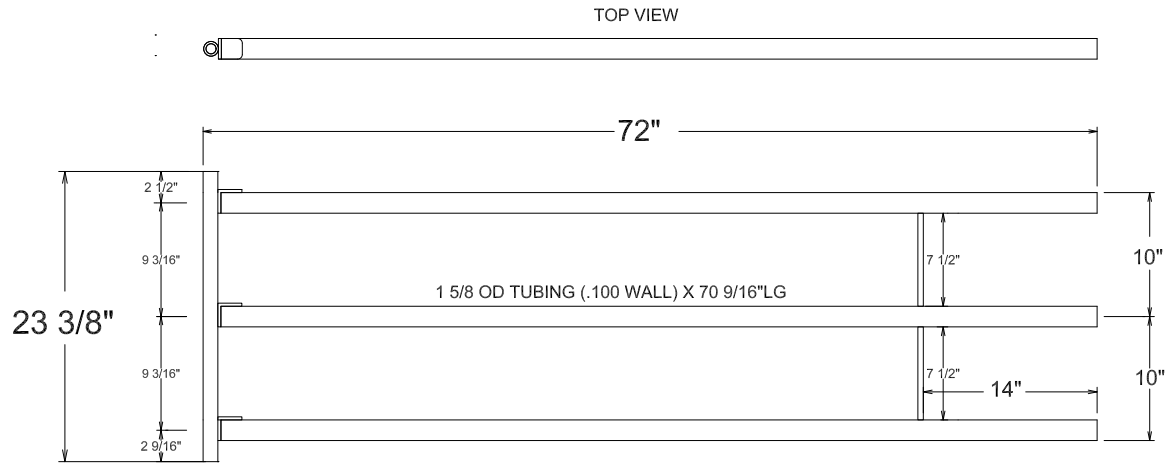


1442920 ADJUSTABLE SALOON GATE (40" TO 60" OPENINGS)

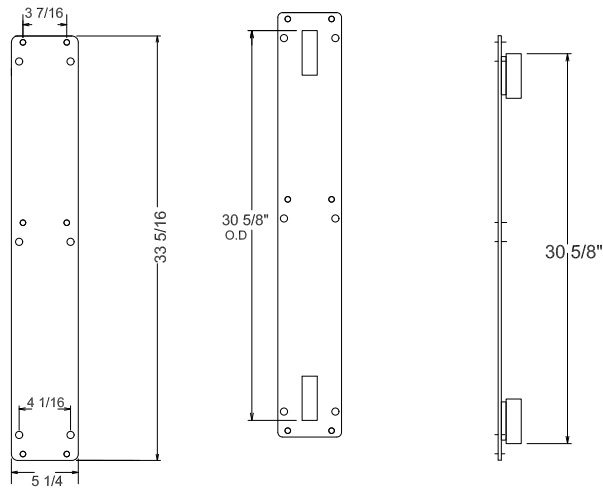


NOTE: When using a single saloon gate it must rest on a post in the closed position.

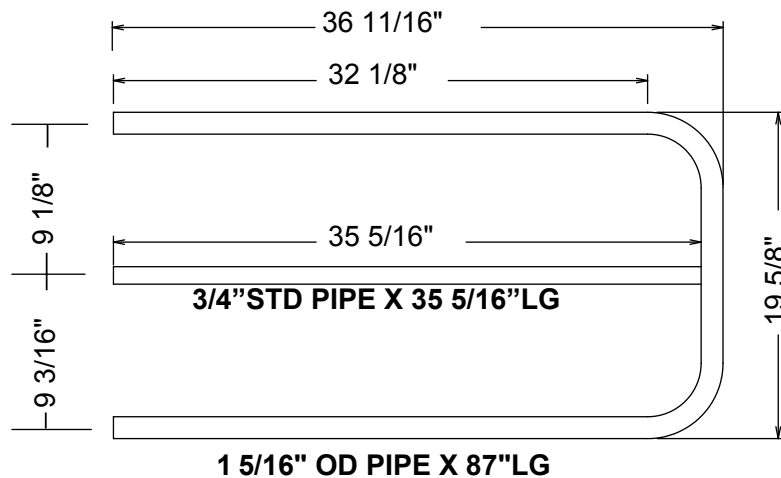
1442960-72A
72" FREE SWINGING BUMP GATE



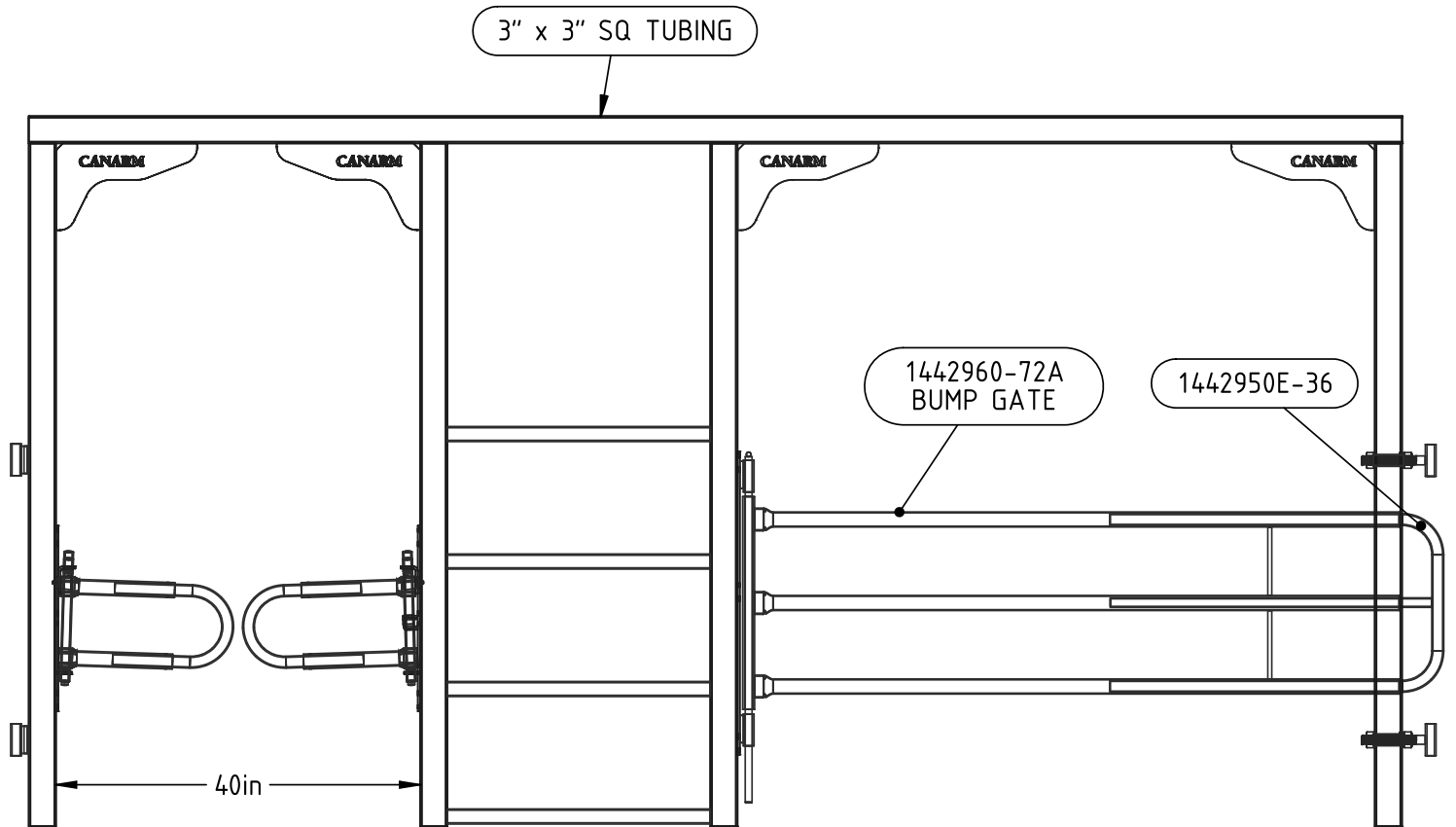
1442960-HNG
(INCLUDED IN ABOVE PACKAGE)



1442950E-36
36" EXTENSION



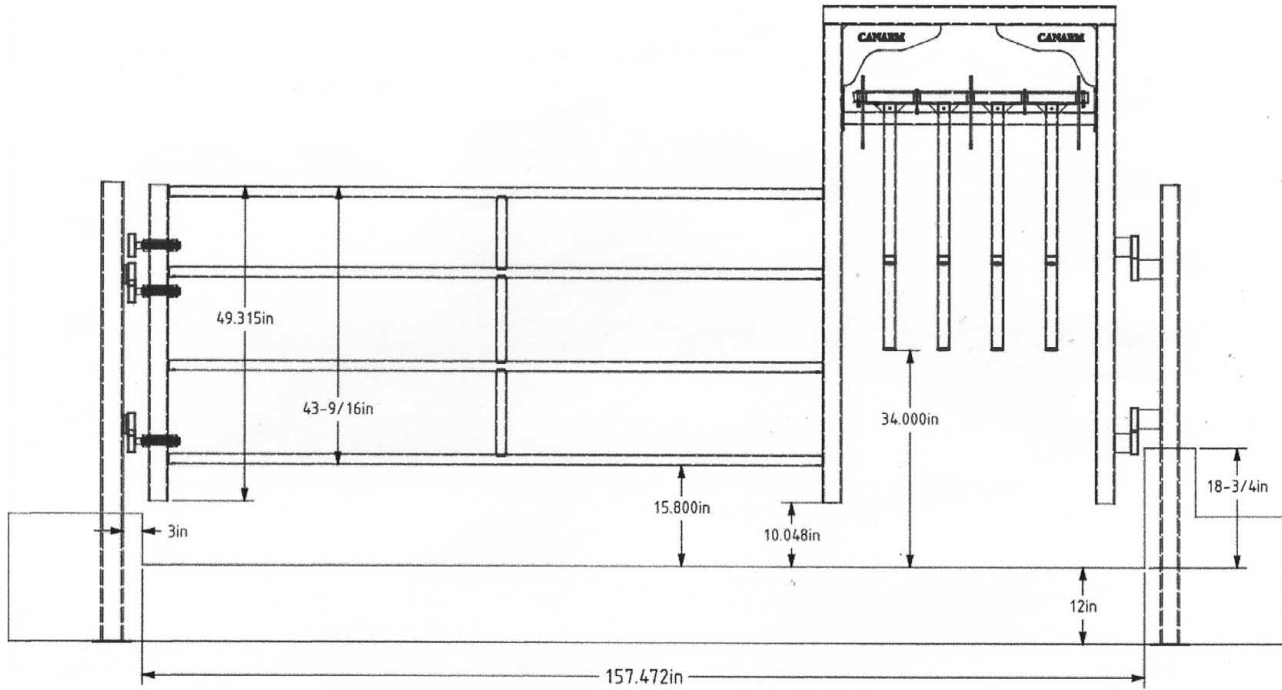
ASSEMBLY



CALL FOR PRICING



ASSEMBLY

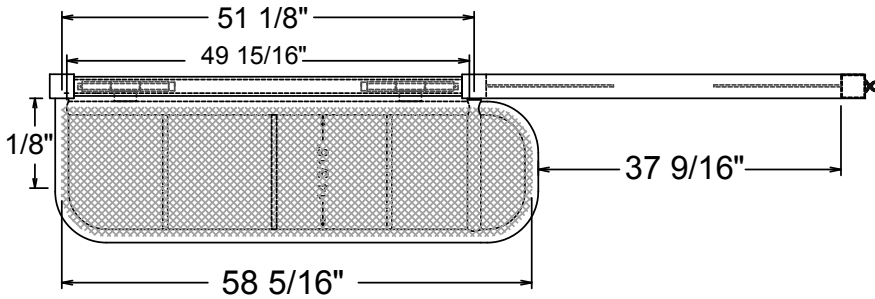


CALL FOR PRICING 

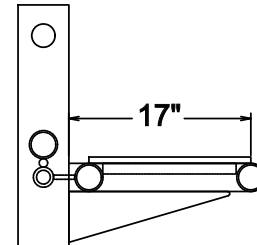
ASSEMBLY

REMOVEABLE CLEAN WALK

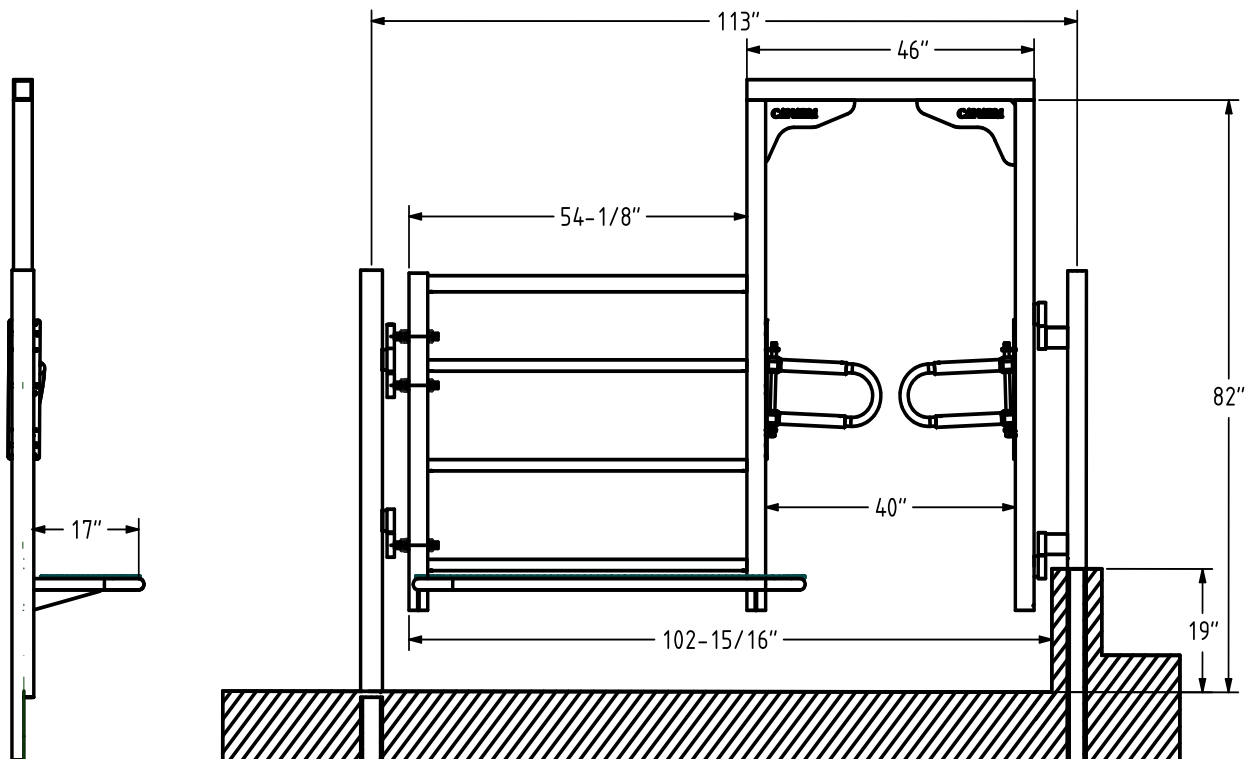
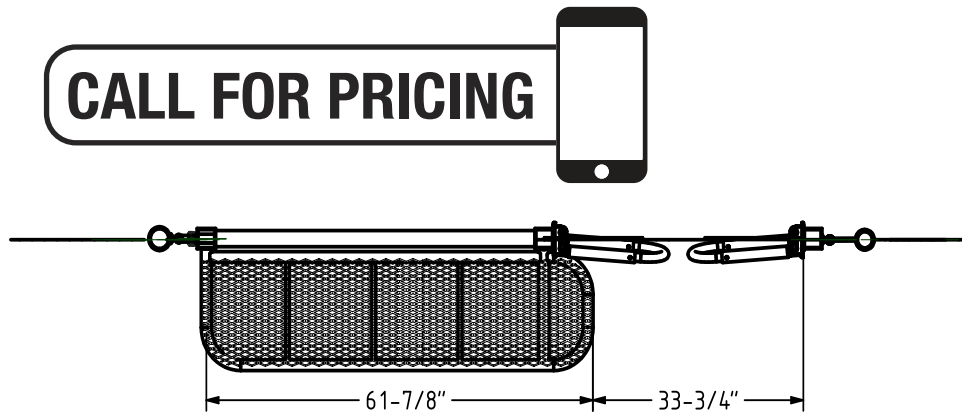
TOP VIEW OF CLEAN WALK



END VIEW OF CLEAN WALK



CALL FOR PRICING



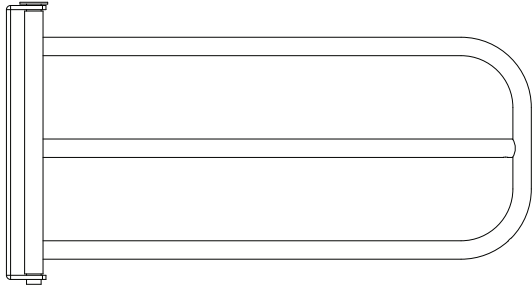
CLEAN WALK BRIDGE



CALL FOR PRICING



SELF CLOSING 3' ONE WAY PARLOR EXIT GATE



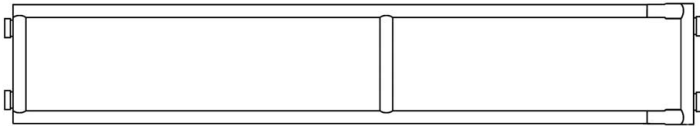
FLIP OVER GATE

NOTE: MUST BE COUNTERWEIGHTED ON SITE

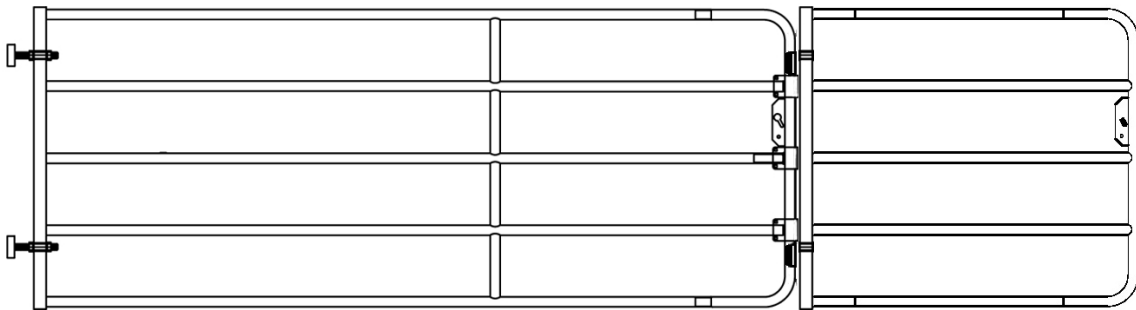


2 BAR GATES 10' AND 13' LG.

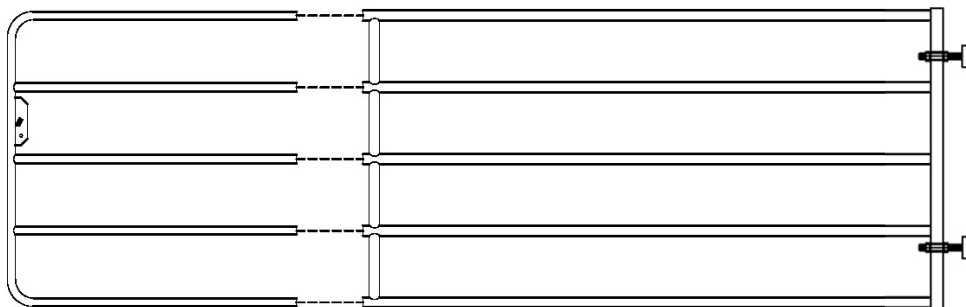
ORDER GATE END SEPARATELY FROM GATE.



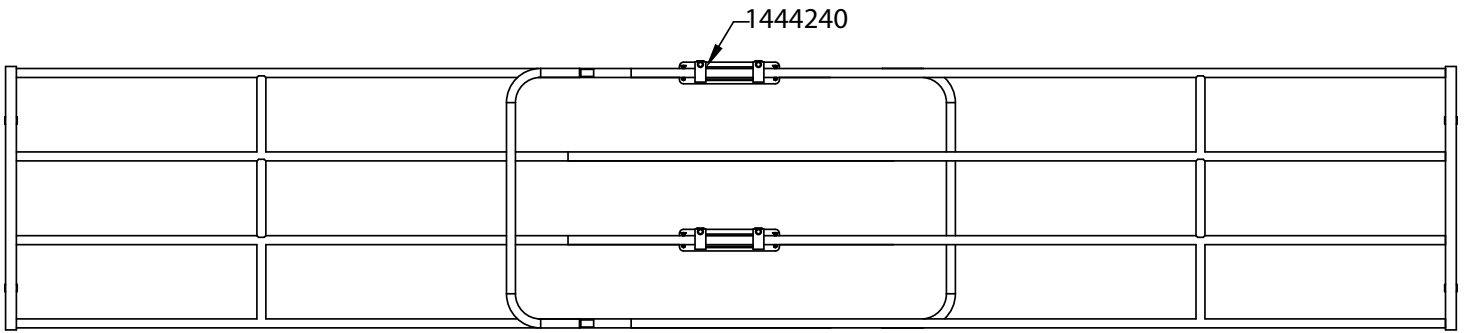
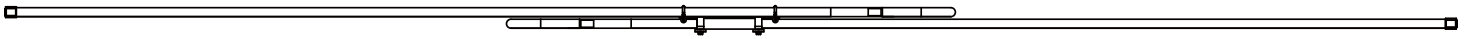
FOLDING GATES



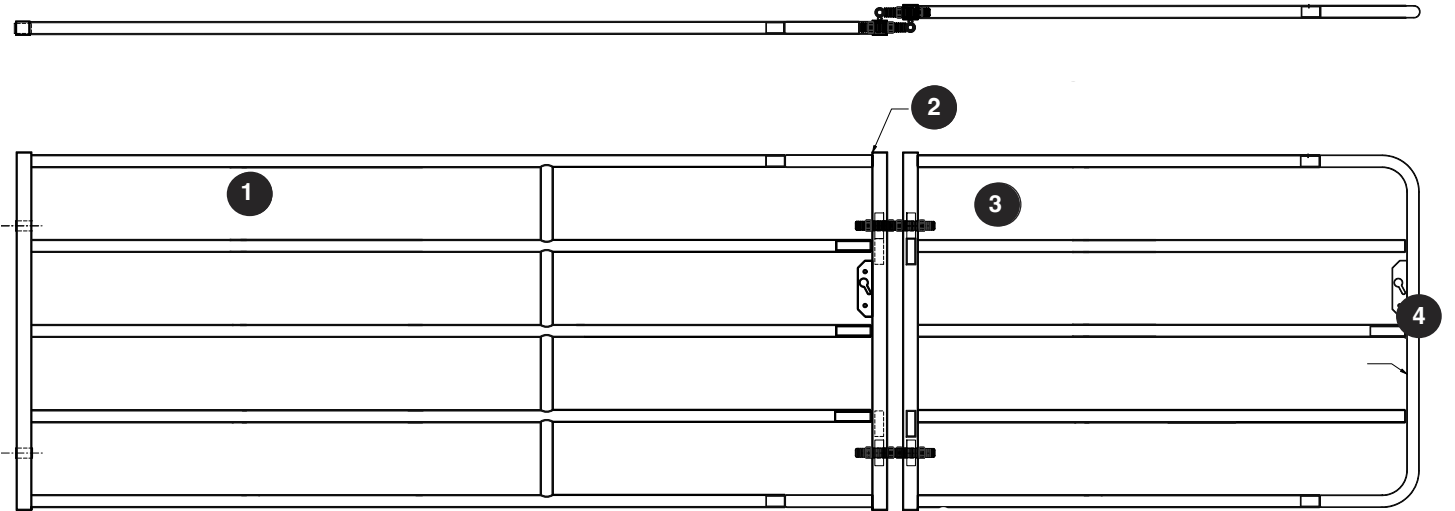
TELESCOPING GATES



1444240 - OVERLAP GATE LATCH

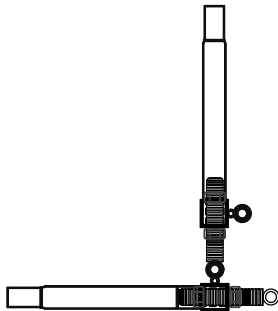


BI-FOLD GATE OPTIONS (Left Shown)



Note: Drill holes and bolt on site

BI-FOLD GATE LEFT (TOP VIEW)



- ❶ (1450100) 10' 5 BAR GATE
- ❷ (1442003-BI) SQ END DBL SLEEVES
- ❸ (1450060B-FOLDR) 6' BAR BI-FOLD GATE RIGHT
- ❹ (1442000) STD GATE END

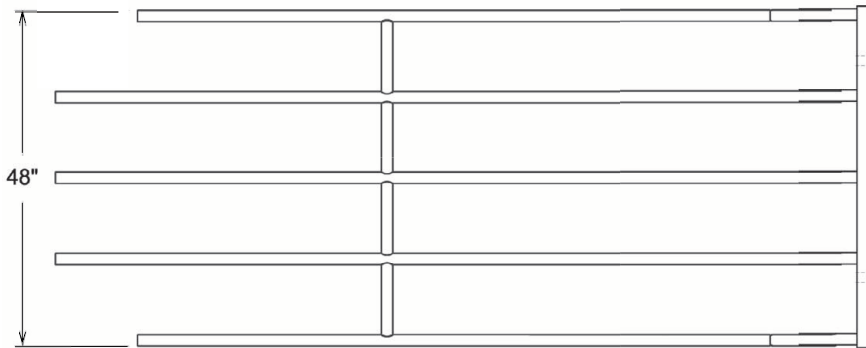
ORDERING GUIDELINES

GATE PACKAGE

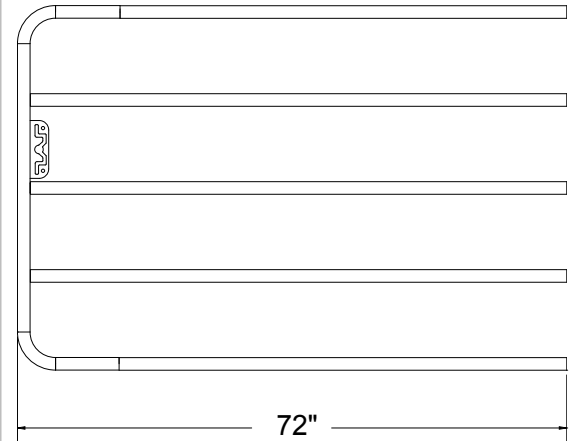
- 1 1450060B-PKL 6' 5-Bar Bi-Fold Gate Left
- 2 1450060B-PKR 6' 5-Bar Bi-Fold Gate Right

GATES

- (1450040) GATE ONLY 45" LG. (4 ft.)
- (1450060) GATE ONLY 69" LG. (4 ft.)
- (1450080) GATE ONLY 93" LG. (8 ft.)
- (1450100) GATE ONLY 117" LG. (10 ft.)
- (1450120) GATE ONLY 141" LG. (12 ft.)
- (1450140) GATE ONLY 165" LG. (14 ft.)
- (1450160) GATE ONLY 189" LG. (16 ft.)



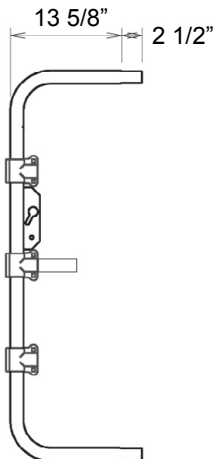
1442001-72 5 BAR GATE EXTENSION



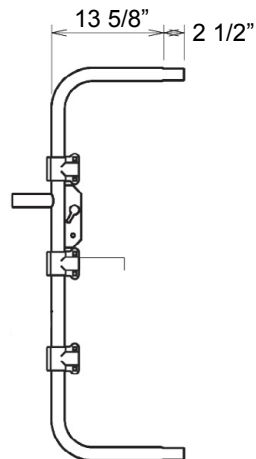
Note: Need to leave 3' of extension inside at all times.

GATE ENDS

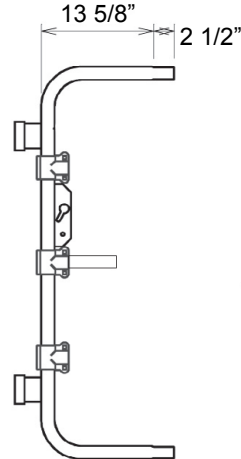
1442001
13" GATE END
(c/w 3 CLAMPS)



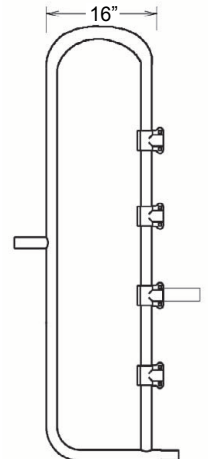
1442001-ST
13" GATE END w/ STUB
(c/w 3 CLAMPS)



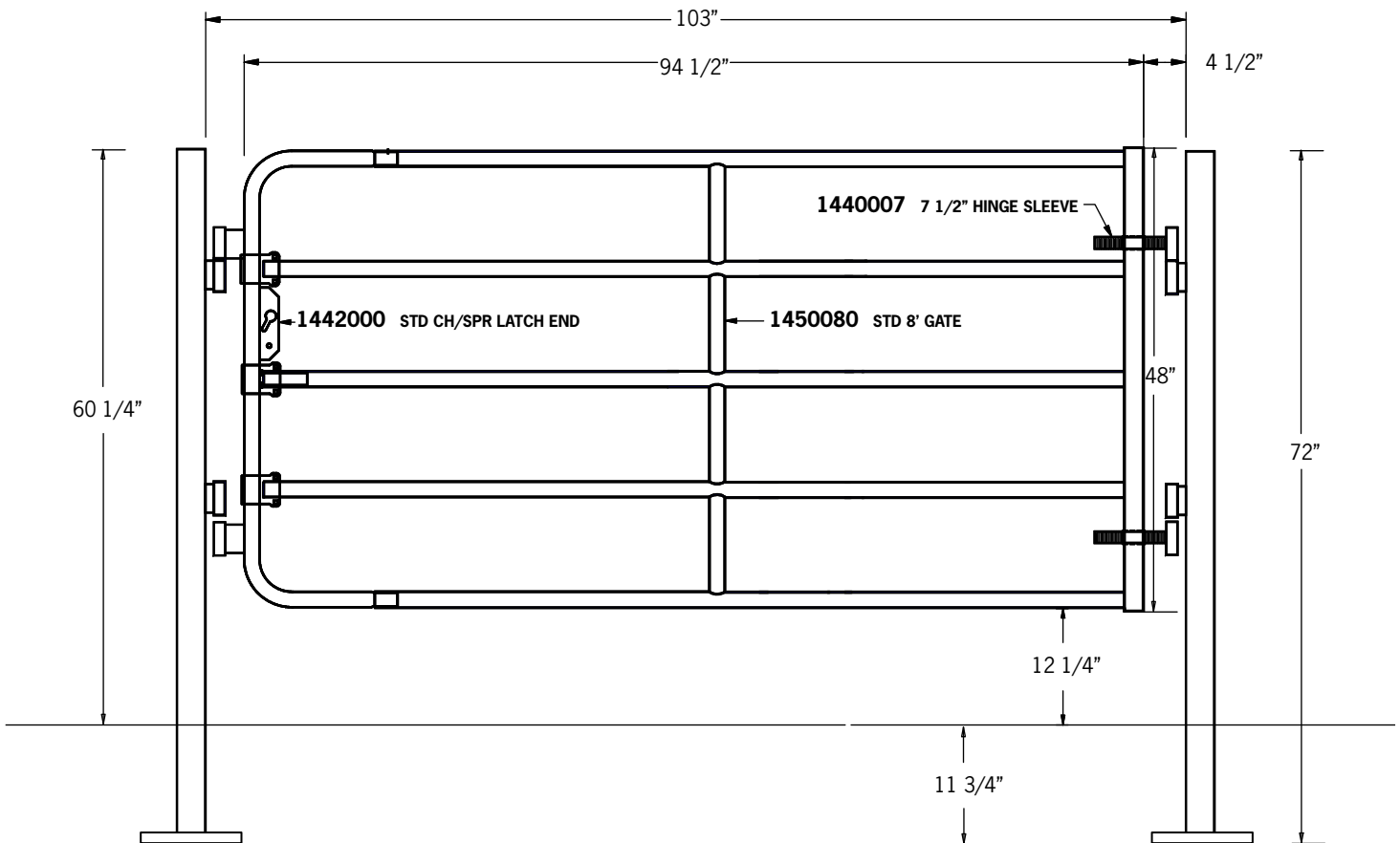
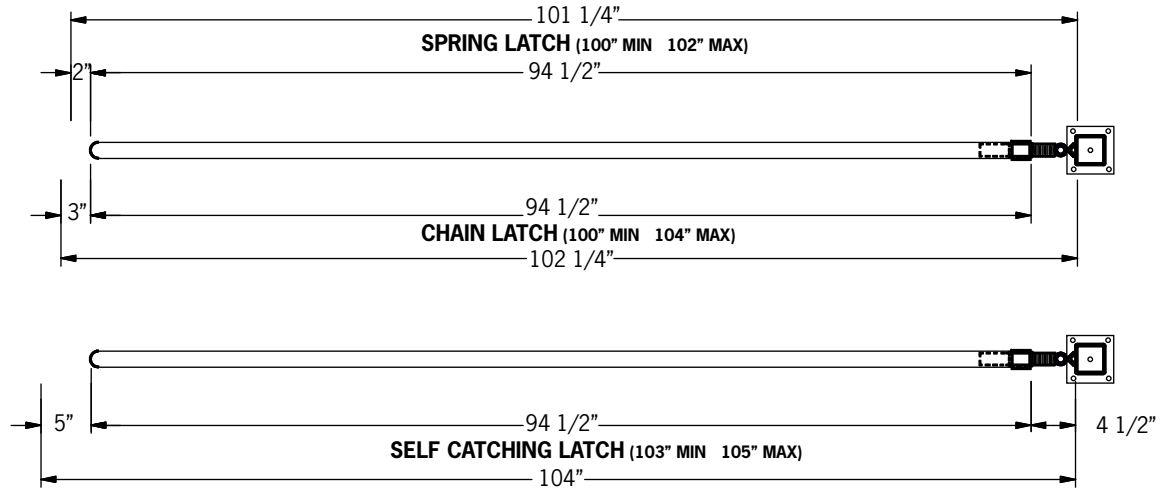
1442001-SL
13" GATE END w/
SLEEVES (c/w 3 CLAMPS)



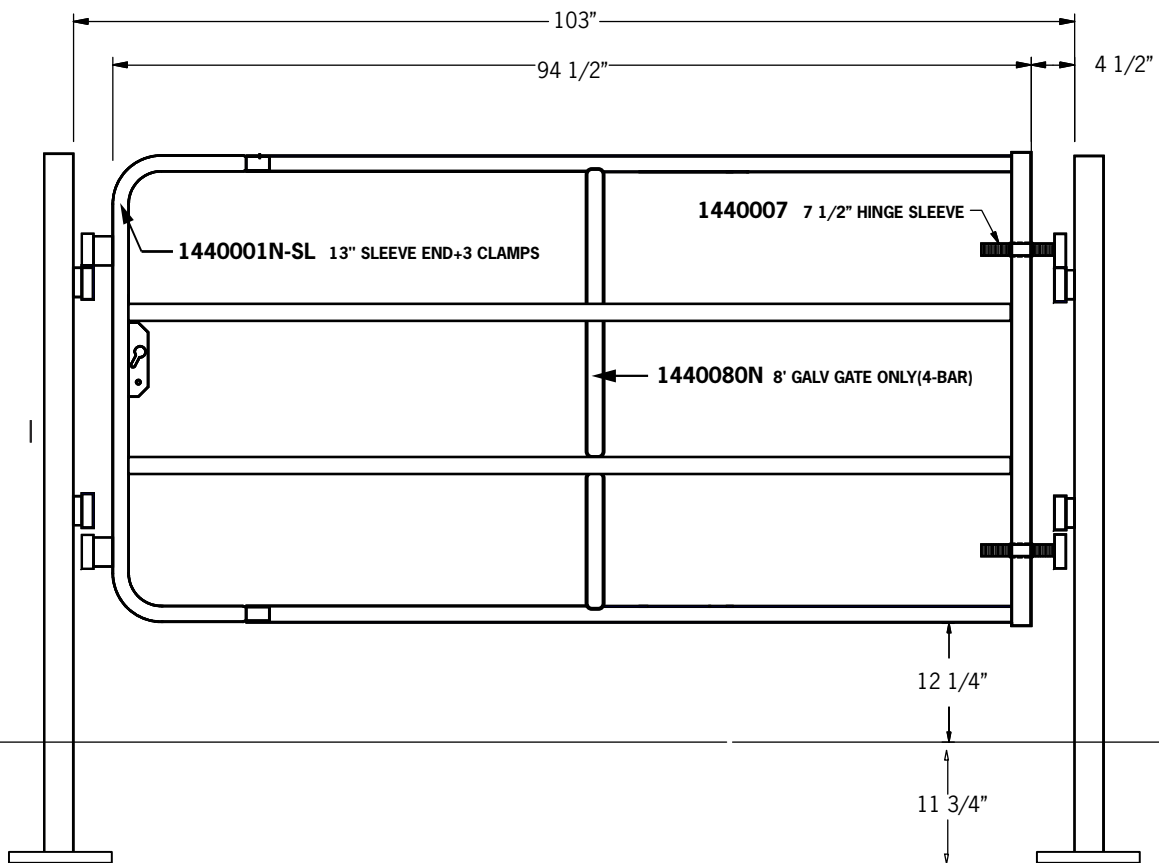
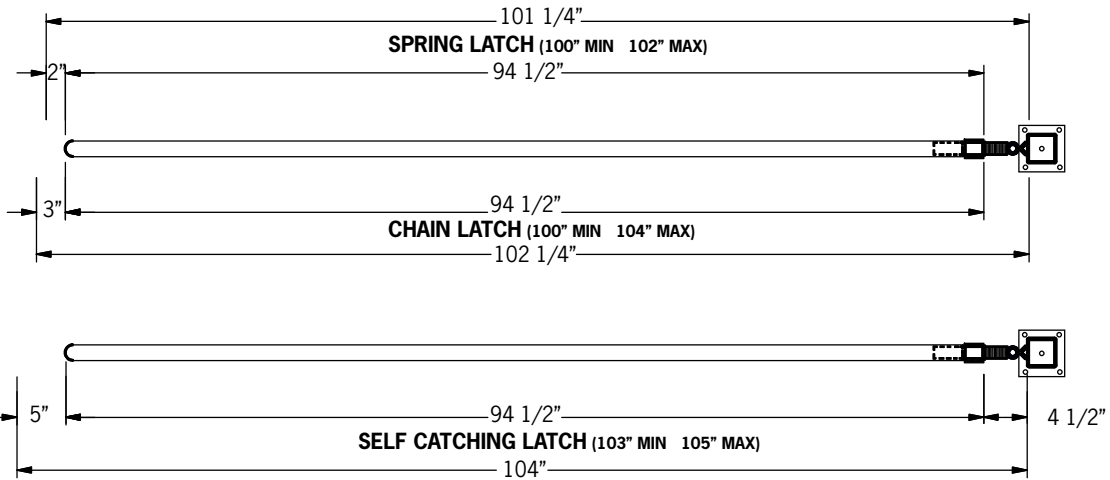
1442001-WT
16" GATE END w/ WALK
THRU (c/w 4 CLAMPS)



ASSEMBLY

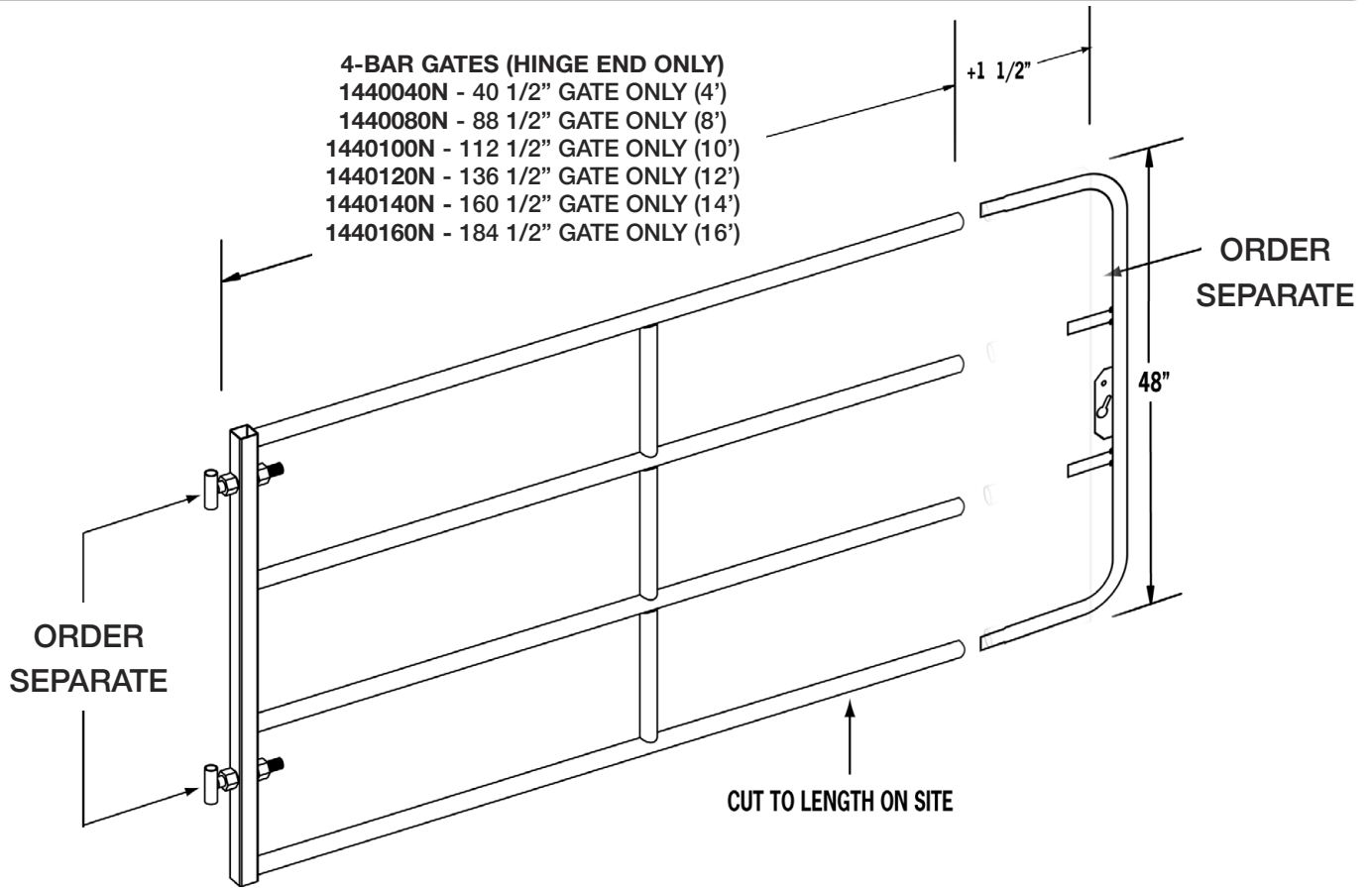


ASSEMBLY

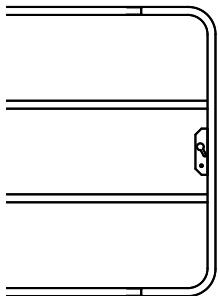


4 BAR GATE

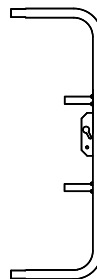
- 4-BAR GATES (HINGE END ONLY)**
 1440040N - 40 1/2" GATE ONLY (4')
 1440080N - 88 1/2" GATE ONLY (8')
 1440100N - 112 1/2" GATE ONLY (10')
 1440120N - 136 1/2" GATE ONLY (12')
 1440140N - 160 1/2" GATE ONLY (14')
 1440160N - 184 1/2" GATE ONLY (16')



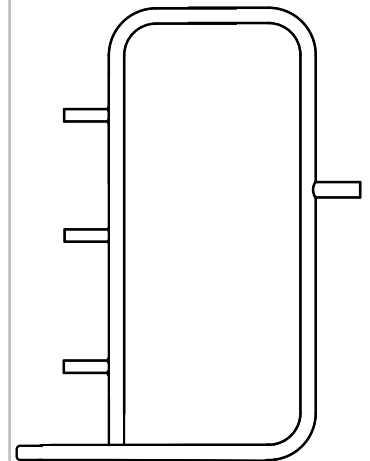
1440000-60N
STD. 4-BAR GATE EXT ONLY 60" LG



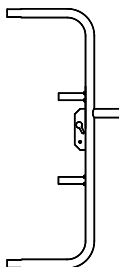
1440001N - 2 STUB GATE END + CH LATCH + CLAMPS (4 BAR GATE)



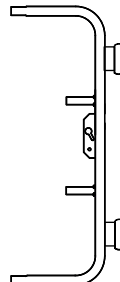
1440001N-WT - STD GALV END (4-BAR) + WALK THRU + CLAMPS



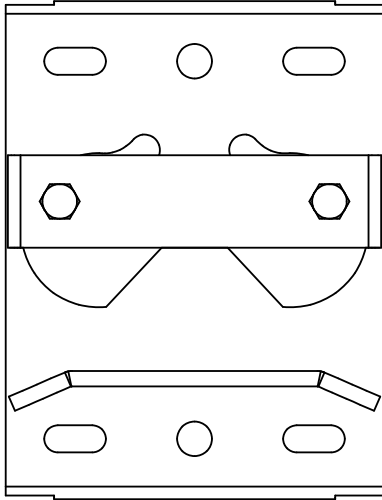
1440001N-ST - 2 STUB GATE END + LATCH STUB + CLAMPS (4 BAR GATE)



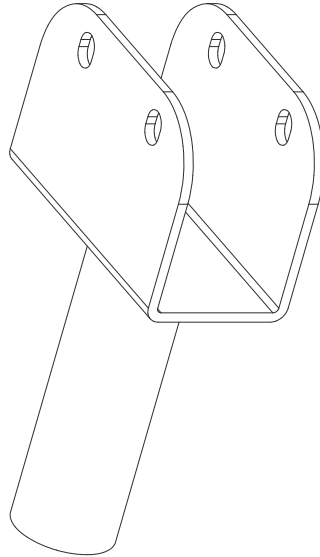
1440001N-SL - 2 STUB GATE END + SL + CLAMPS (4 BAR GATE)



**1456250 - 2-WAY H.D
WEIGHTED LATCH ON PLATE
FITS 3" AND 3 1/2" RD POST**

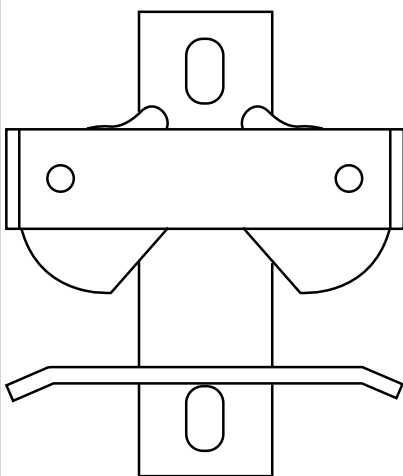


**1430001-ST
ST BOLT ON
STUB END**



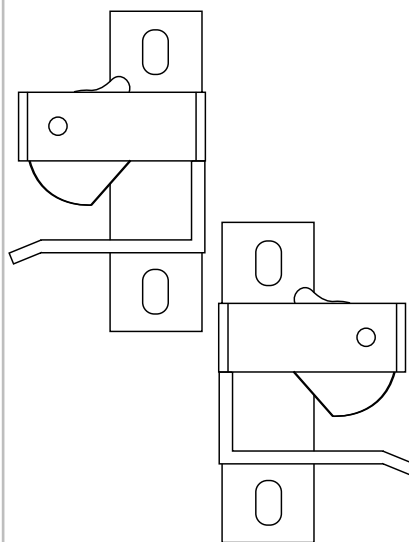
**NOTE: FOR ADJUSTABLE
GATE ONLY.**

**1457250
2-WAY HEAVY
WEIGHTED LATCH**

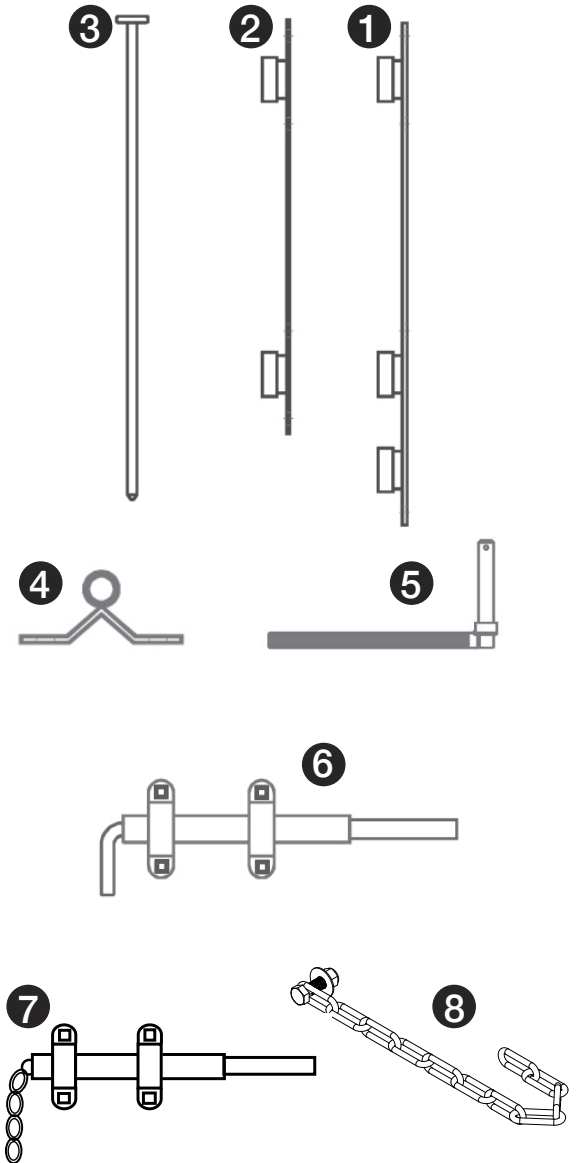


**1457250-L - 1-WAY HEAVY
WEIGHTED LATCH - LEFT**

**1457250-R - 1-WAY HEAVY
WEIGHTED LATCH - RIGHT**

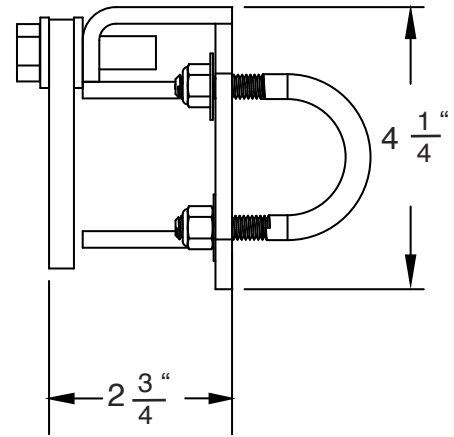
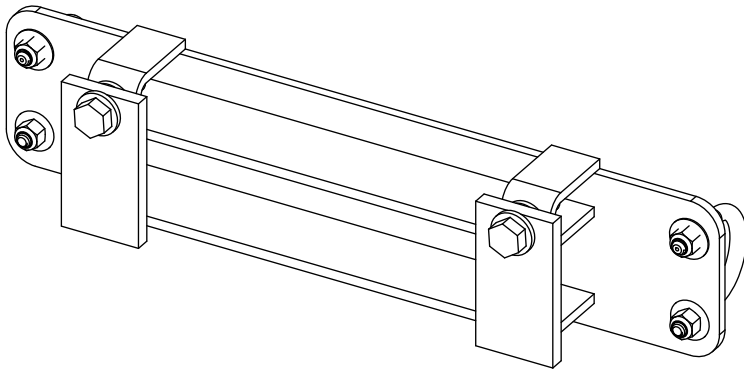


ACCESSORIES

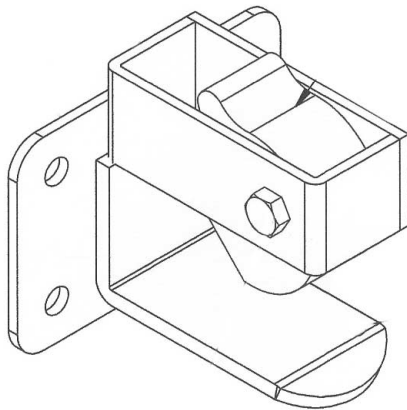


- ❶ 1444275H - 37' HINGE STRAP - 3 SLEEVES
- ❷ 1444275 - 33" HINGE STRAP - 2 SLEEVES
- ❸ 1454252 - 5/8" HINGE PIN
- ❹ 1454252 - 3/4 - 3/4" HINGE PIN
- ❺ 1454240 - SINGLE HINGE / GATE
- ❻ 1454255 - 3/4" X 12" GALV. HINGE + NUTS & WASHERS
- ❼ 1444260 - SPRING LOADED LATCH + CLAMP
- ❼ 1444263 - CH - SPRING LOADED LATCH + CHAIN
- ❽ 1454251 - FIELD GATE CHAIN LATCH, 42" LG

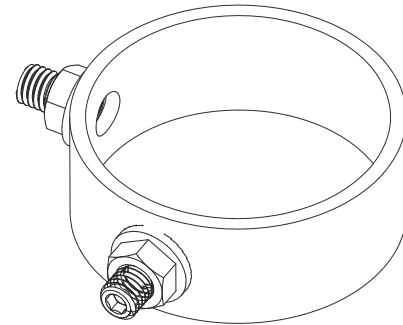
1444240
OVERLAP GATE LATCH



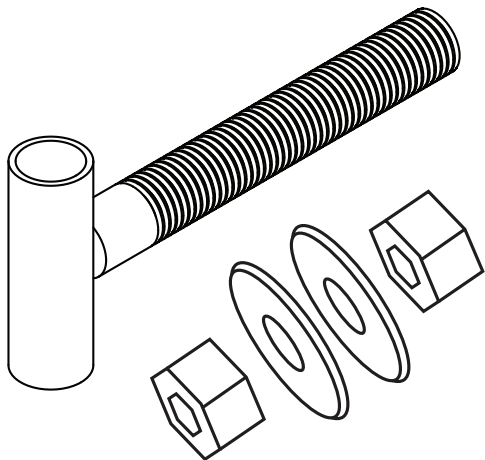
1457255
SP DBL HEAVY DUTY WEIGHTED LATCH ON PLATE



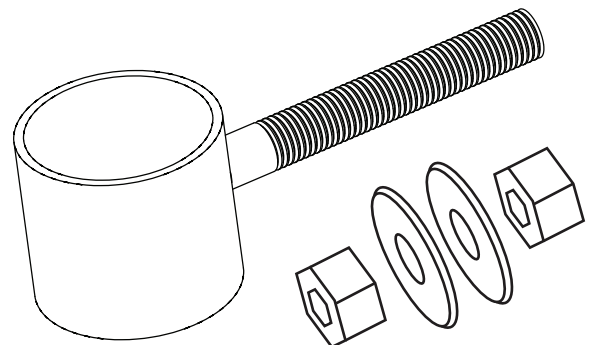
1440009CB - 4" OD 2" WIDE BOLT ON COLLAR GALV
KIT (C/W 2 SET SCREWS)



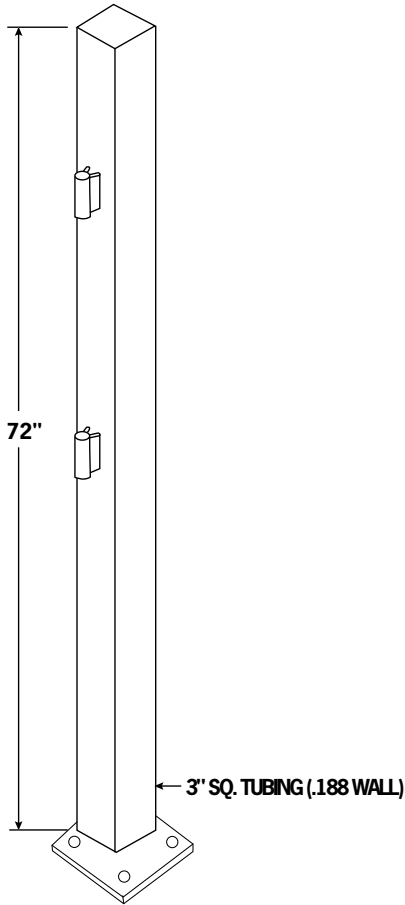
1440007
7" ADJ HINGE + 3/4" IDSLEEVE + HDW



1440009 - 7" ADJ HINGE + 3 1/2"
ID COLLAR 360° + HDW



1444265
HINGE POST 1-WAY (3X3X72)



1444268



1444265



1444265-2C



1444265-3

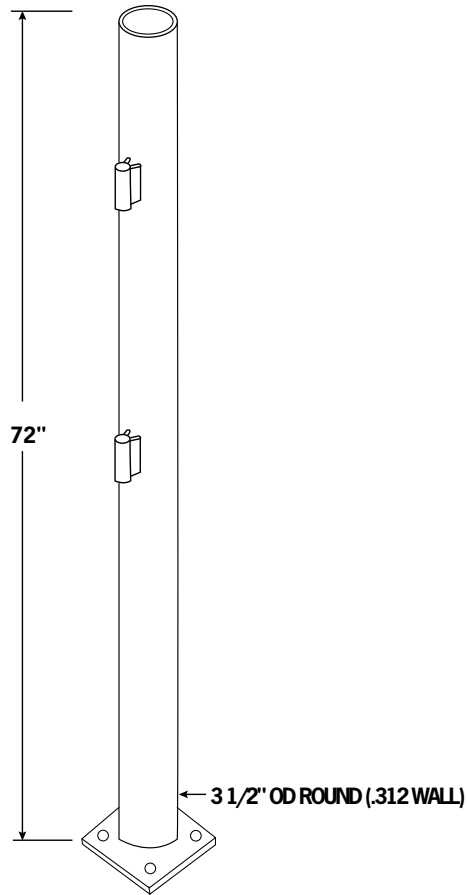


1444265-2S



1444265-1EXT

1444270 - HINGE POST 1-WAY
(3 1/2" OD ROUND, .312 WALL)



11444272



11444270



11444270-2C



11444270-2S

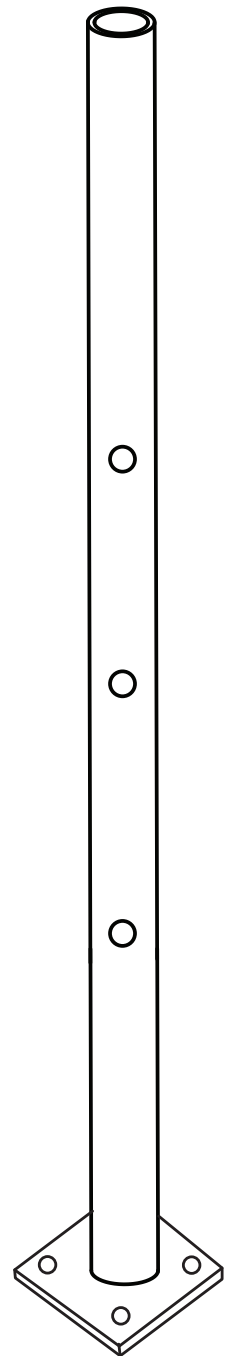


11444270-3



11444270-1EXT

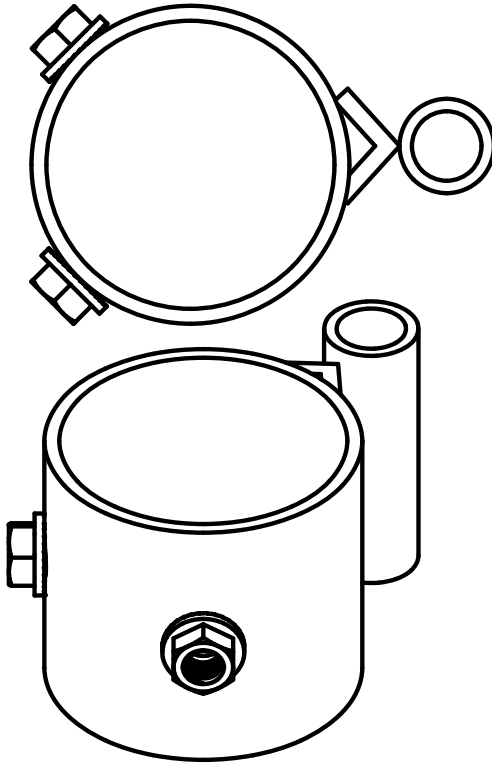
1444274H-96 - 96" ROUND
POST WITH HOLES



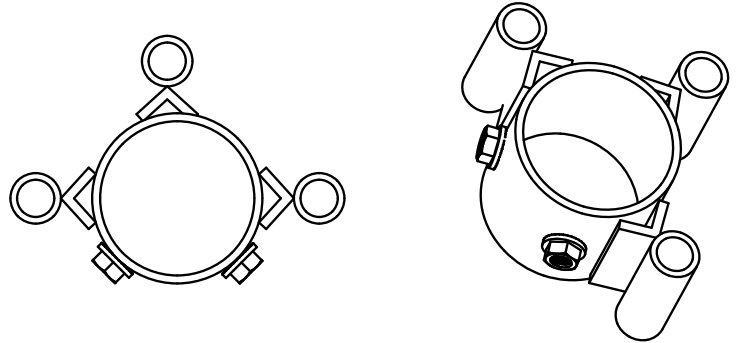
DIFFERENT SLEEVE OPTIONS AVAILABLE
CALL FOR PRICING



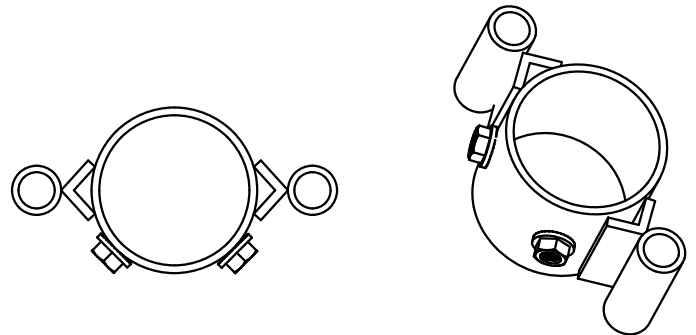
1444281
3 1/2 " COLLAR SL - 1 WAY HINGE



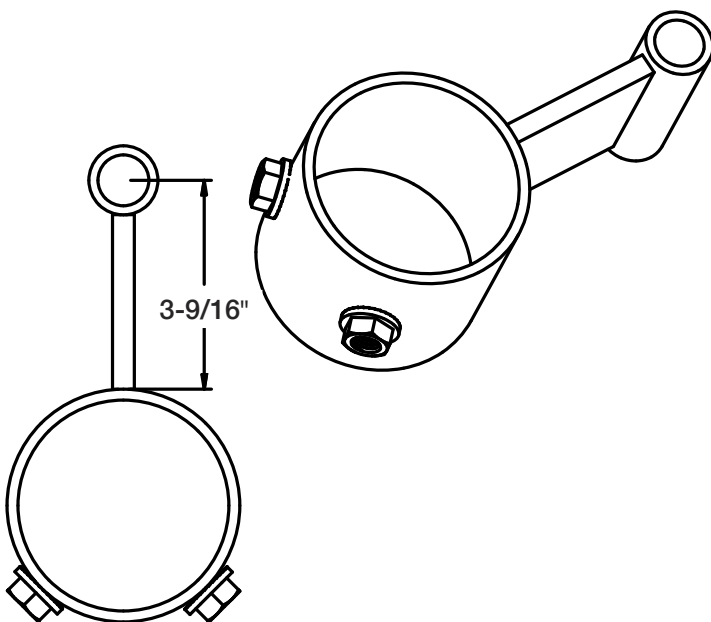
1444283
3 WAY SLEEVE COLLAR



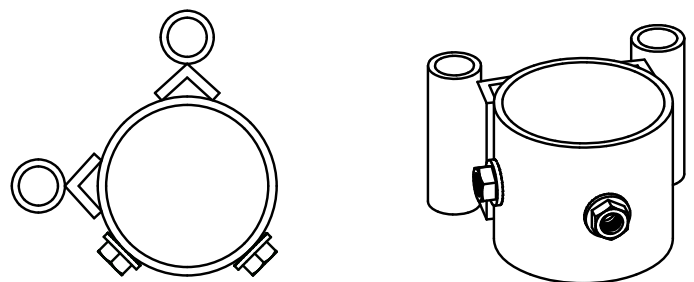
1444282
2-WAY SLEEVE COLLARS



1444281-EXT
1 WAY SLEEVE COLLAR (EXTENSION SL)



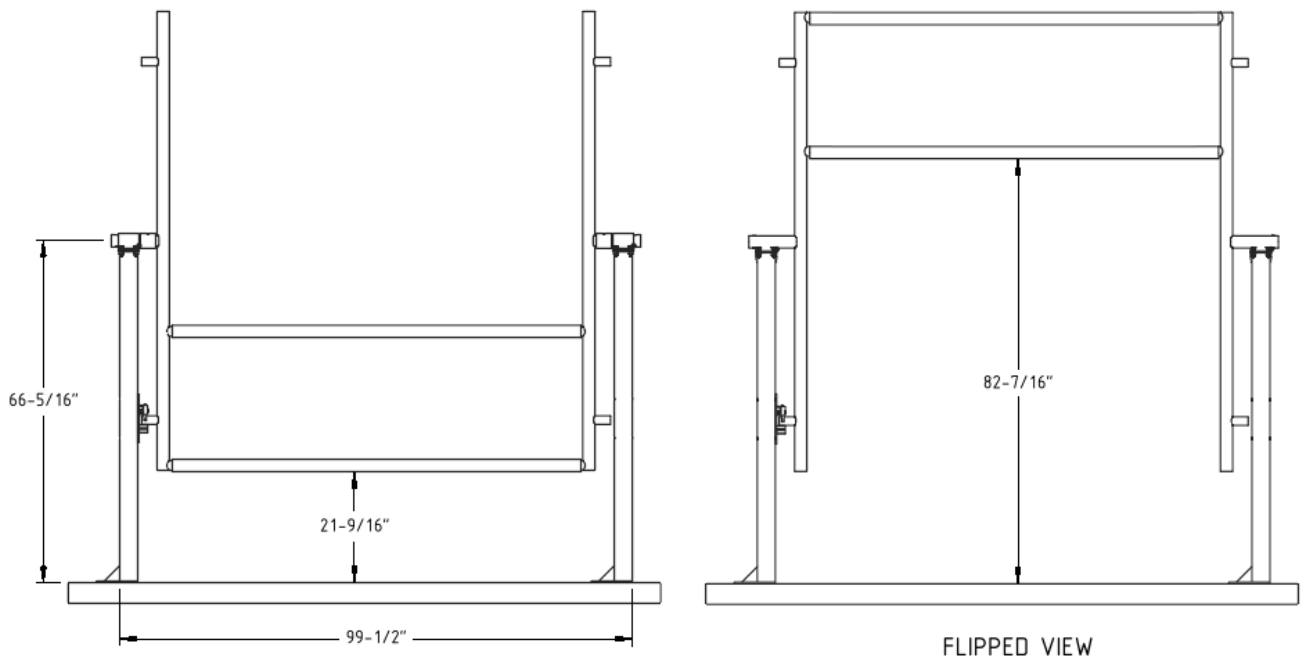
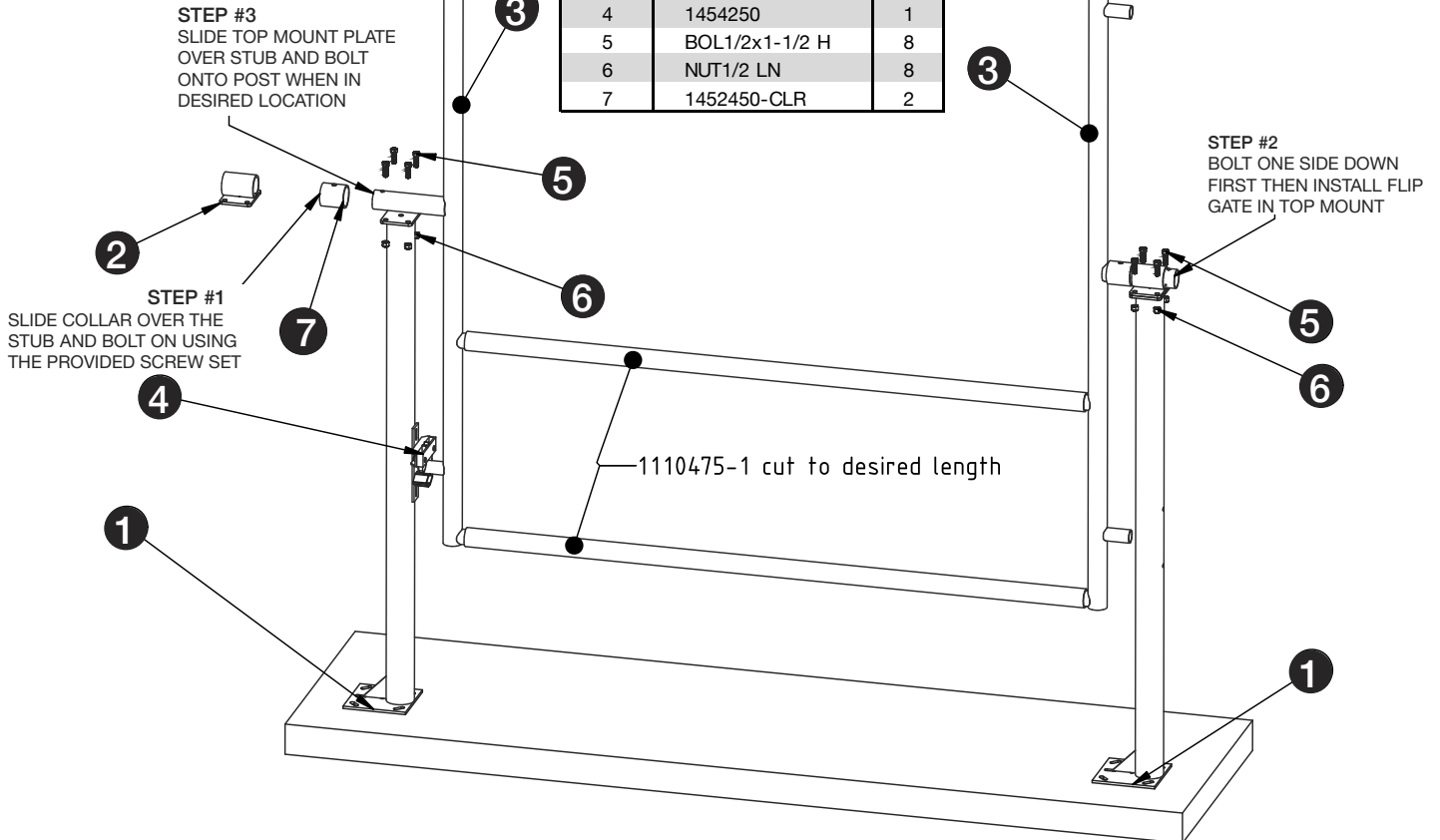
1444282-C - 3 1/2 " COLLAR + 2-WAY
EXTENDED HINGES



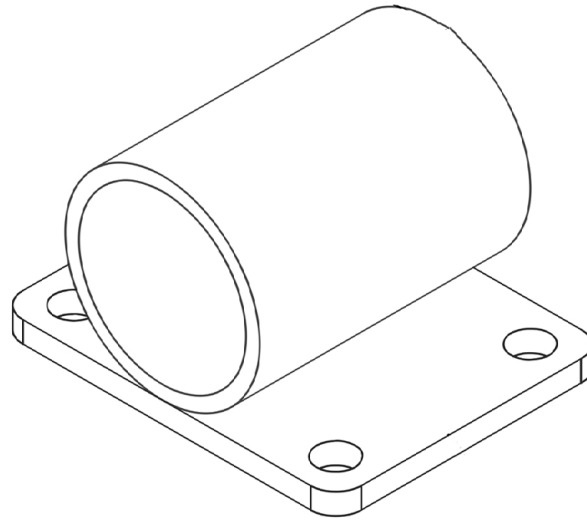
ASSEMBLY

NOTE: MUST BE COUNTERWEIGHTED ON SITE

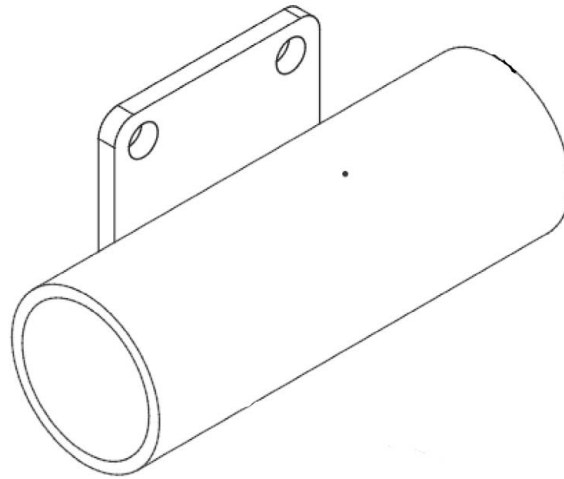
ITEM #.	PART NUMBER	QTY
1	1452416-P	2
2	1452416-TOP	2
3	1452450	2
4	1454250	1
5	BOL1/2x1-1/2 H	8
6	NUT1/2 LN	8
7	1452450-CLR	2



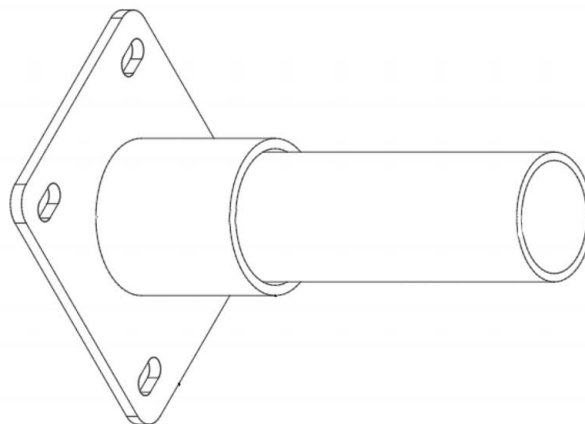
1452416
SINGLE FLIP GATE TOP FOR POST



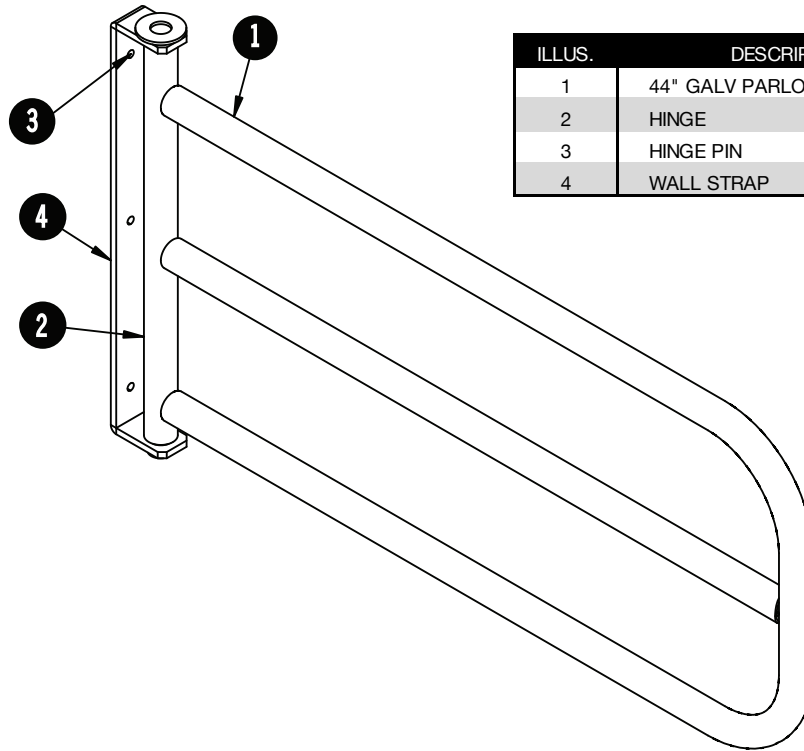
1452416-DBLTOP
DOUBLE FLIP POST TOP



1452417
WALL MOUNT PIVOT STUB



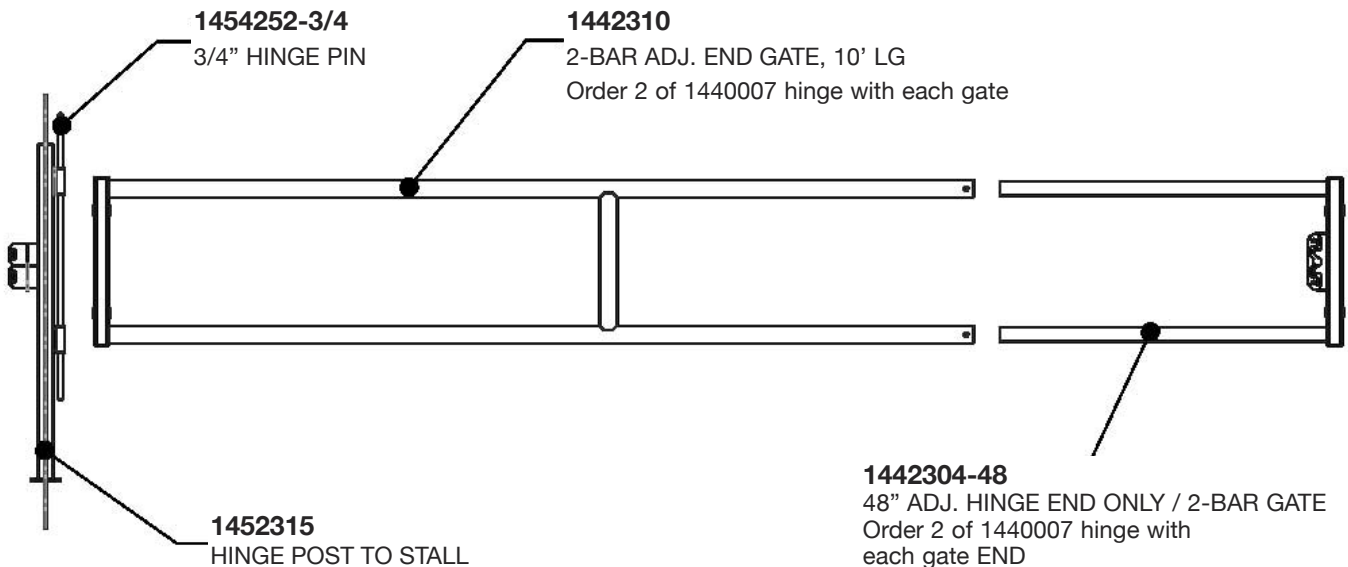
**1442500
PARLOUR GATE PKG. ASSEMBLY**



ILLUS.	DESCRIPTION	PART #
1	44" GALV PARLOUR GATE ARCH	1442510
2	HINGE	1442515
3	HINGE PIN	1442515-PIN
4	WALL STRAP	1442517

**1442310
2 BAR GATE ASSEMBLY**

ORDER GATE END SEPARATELY FROM GATE.



GATES

4-BAR GATES

1. Order gate - Specify length.
2. Order ends - Without stub, with stub or 60" ext.
3. Order hinge or collar - Order required hinge adjustable sleeve or 360 degree collar type.
4. Order latch system - Order chain latch, or spring loaded or self catching.
5. Order posts or hinge straps as needed
6. Order hinge pins

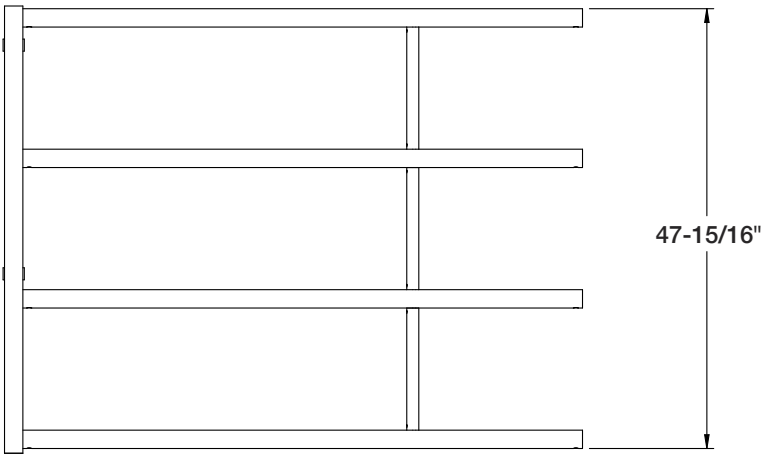
ADJUSTABLE 5-BAR GATES

1. Order gate package - Specify length, includes 1 - 3/4" pin & clamped end
NOTE: A 10' gate is 120" lg.
- Must order gate as parts if you require a double pin or stub-end gate.
2. Order latch - Four choices available if appropriate gate is ordered.
3. Order hinge post - Posts are cement-in.

2-BAR GATES

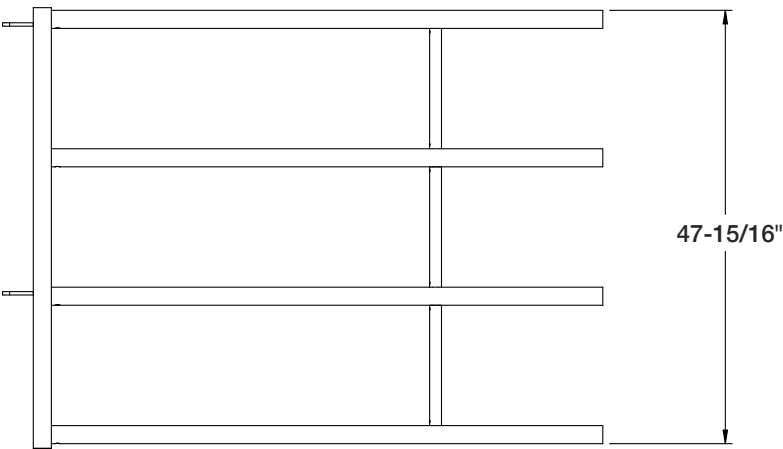
1. Order gate (120" or 155")
2. Order ends - Order 1 hinge end per gate.
3. Order gate to stall post - When mounting to freestall.
4. Order 4 hinges
5. Order 2 pins

NEW STYLE GATES (4 BAR)



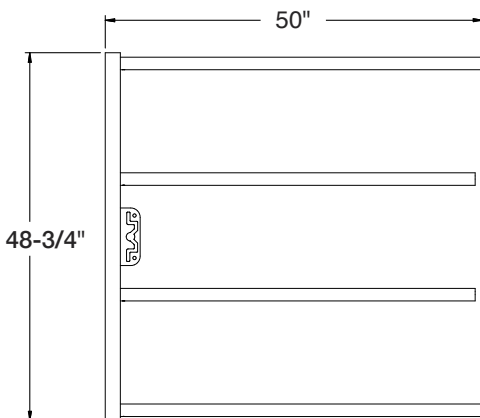
- 1494003 - GALV 4 BAR ADJ GATE 36" LG (ADJ / BOLT ON HINGE)
- 1494006 - GALV 4 BAR ADJ GATE 72" LG (ADJ / BOLT ON HINGE)
- 1494009 - GALV 4 BAR ADJ GATE 108" LG (ADJ / BOLT ON HINGE)
- 1494012 - GALV 4 BAR ADJ GATE 144" LG (ADJ / BOLT ON HINGE)
- 1494015 - GALV 4 BAR ADJ GATE 180" LG (ADJ / BOLT ON HINGE)

NEW STYLE FENCES (4 BAR)



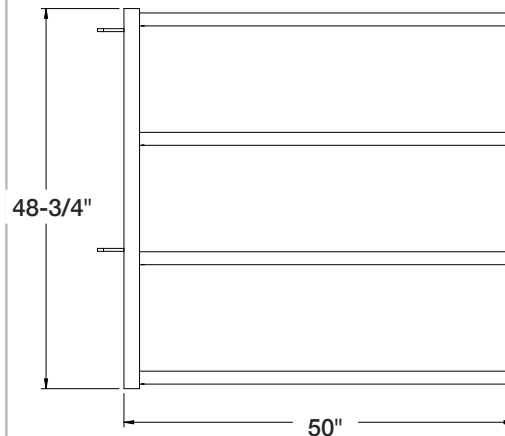
- 1494003F - 3' LG GALV 4-BAR ADJ FENCE ONLY (BOLT IN)
- 1494006F - 6' LG GALV 4-BAR ADJ FENCE ONLY (BOLT IN)
- 1494009F - 9' LG GALV 4-BAR ADJ FENCE ONLY (BOLT IN)
- 1494012F - 12' LG GALV 4-BAR ADJ FENCE ONLY (BOLT IN)
- 1494015F - 15' LG GALV 4-BAR ADJ FENCE ONLY (BOLT IN)

NEW STYLE GATE END (4 BAR)



1494000 - END
GALV 4' LG 4-BAR
GATE END ONLY
(CHAIN LATCH)

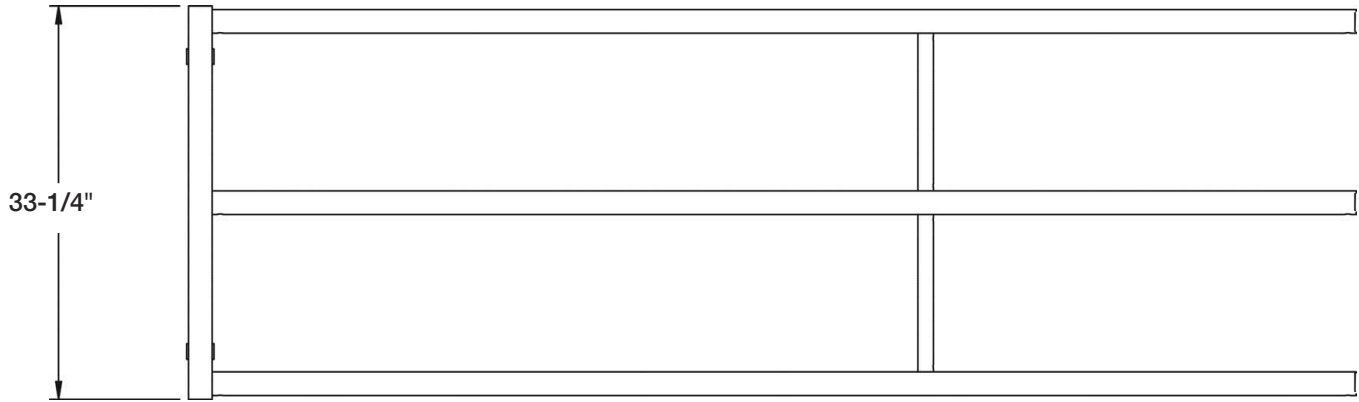
NEW STYLE FENCE END (4 BAR)



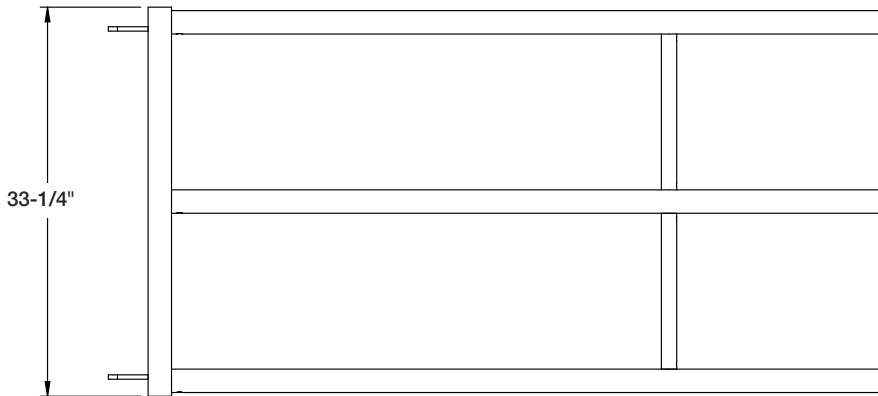
149400FE-END
GALV 4' LG 4 - BAR
FENCE END ONLY

NEW STYLE GATES (3 BAR)

- 1493003 - GALV 3 BAR ADJ GATE 36" LG (ADJ / BOLT ON HINGE)
- 1493006 - GALV 3 BAR ADJ GATE 72" LG (ADJ / BOLT ON HINGE)
- 1493009 - GALV 3 BAR ADJ GATE 108" LG (ADJ / BOLT ON HINGE)
- 1493012 - GALV 3 BAR ADJ GATE 144" LG (ADJ / BOLT ON HINGE)



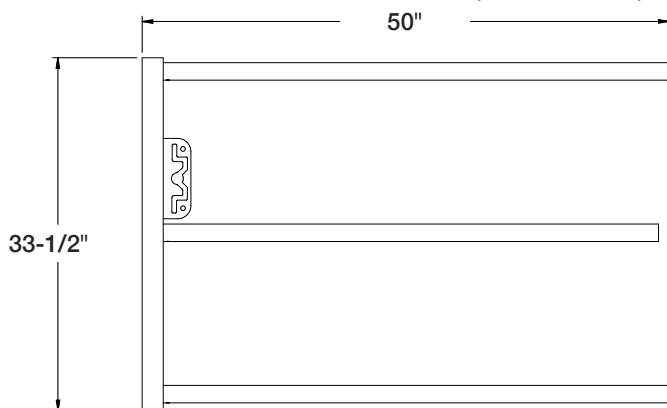
NEW STYLE FENCES (3 BAR)



- 1493003F - 3' LG GALV 3-BAR ADJ FENCE ONLY (BOLT IN)
- 1493006F - 6' LG GALV 3-BAR ADJ FENCE ONLY (BOLT IN)
- 1493009F - 9' LG GALV 3-BAR ADJ FENCE ONLY (BOLT IN)

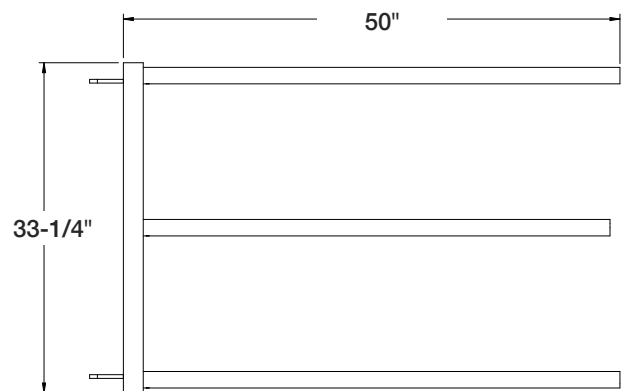
NEW STYLE GATE END (3 BAR)

1493000-END
GALV 4' LG 3-BAR GATE END ONLY (CHAIN LATCH)

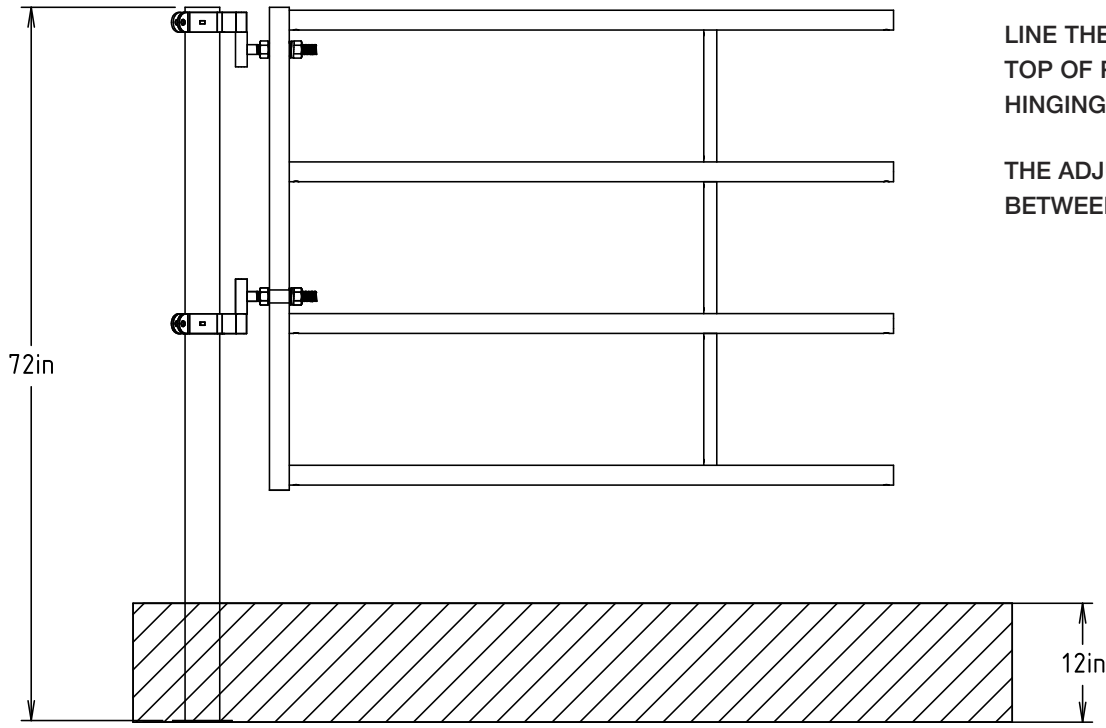


NEW STYLE FENCE END (3 BAR)

1493000F-END
GALV 4' LG 3-BAR FENCE END ONLY (BOLT ON)



INSTALL NEW GATES (INSTALLATION DIAGRAM 1)



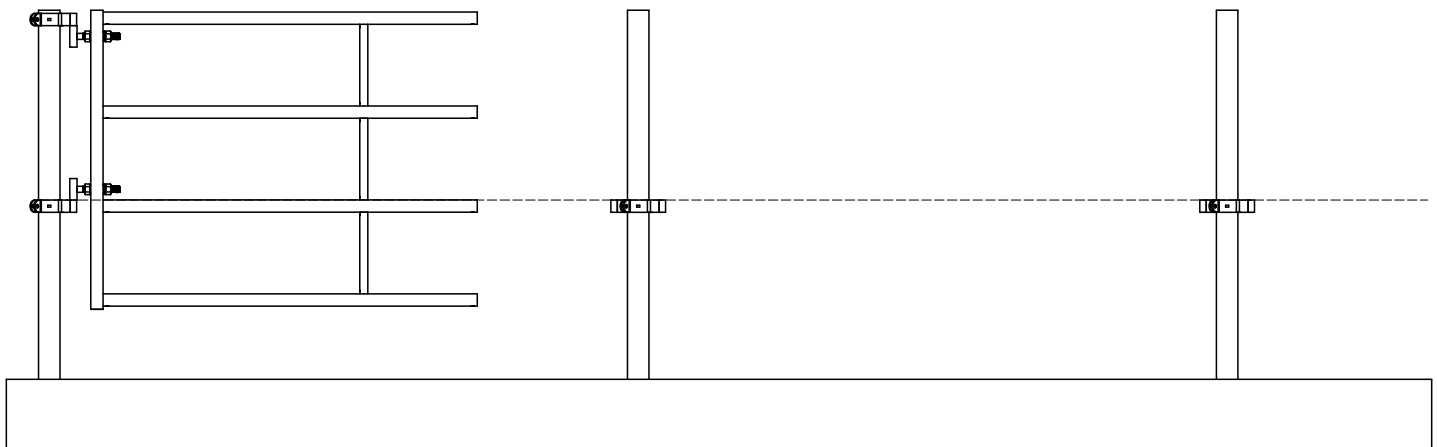
LINE THE TOP GATE UP WITH THE TOP OF POST AND INSTALL BOTTOM HINGING BRACKETS FIRST.

THE ADJUSTABLE SLEEVES GO IN BETWEEN THE HINGE SLEEVES.

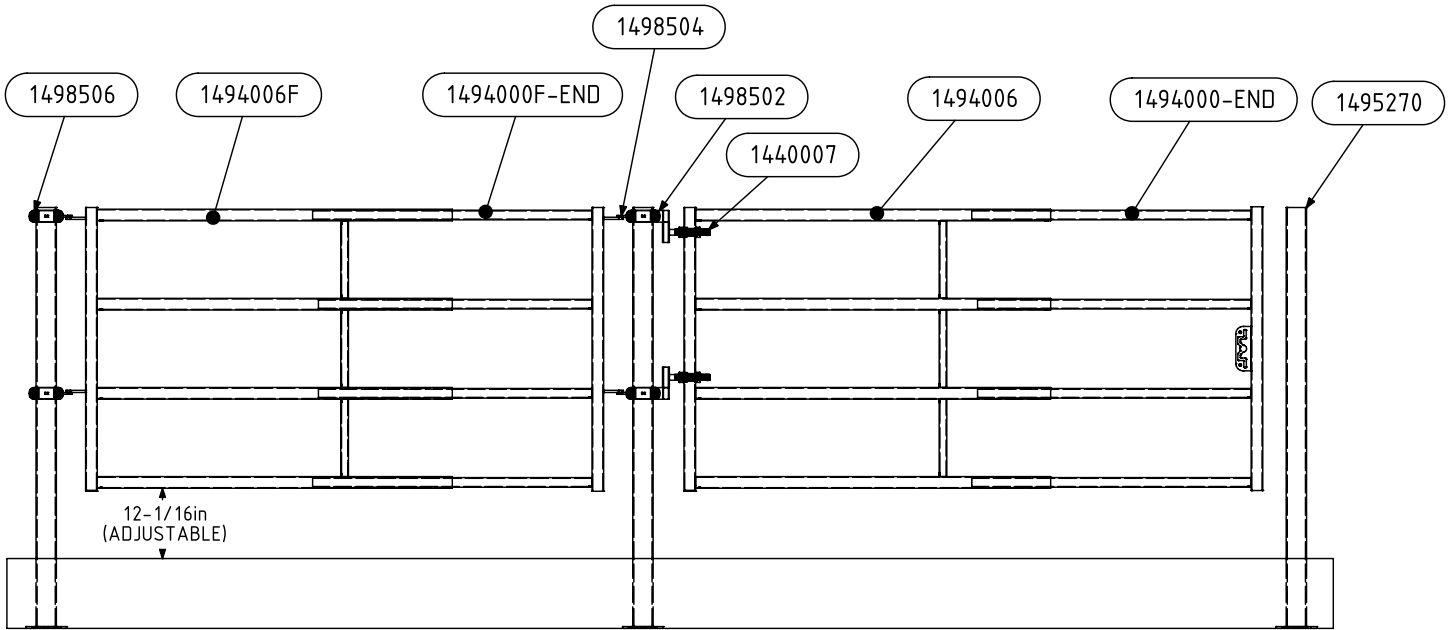
INSTALL NEW GATES (INSTALLATION DIAGRAM 2)

ONCE ONE GATE IS INSTALLED AT DESIRED HEIGHT, USE A CHALK LINE TO DETERMINE HEIGHT AND INSTALL BOTTOM BRACKETS ON OTHER POSTS

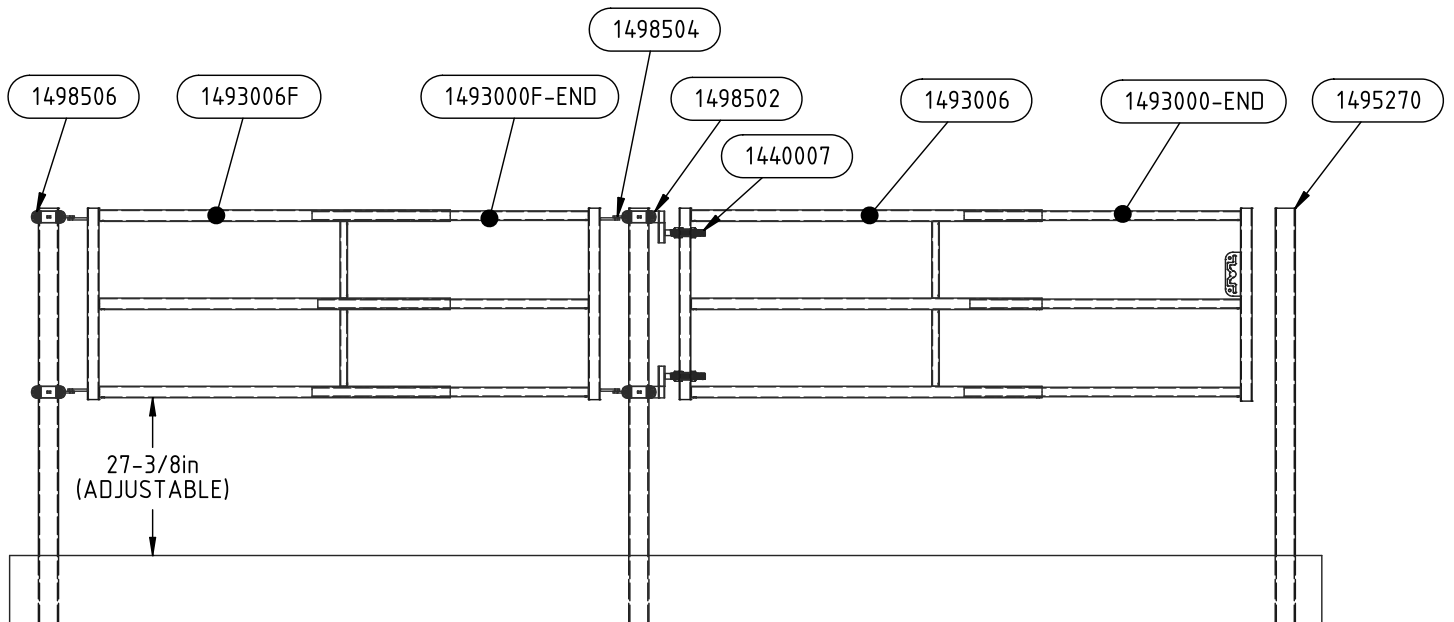
THE TOP BRACKET'S HEIGHT WILL BE DETERMINED BY THE TOP ADJUSTABLE SLEEVE ONCE OTHER GATES ARE INSTALLED



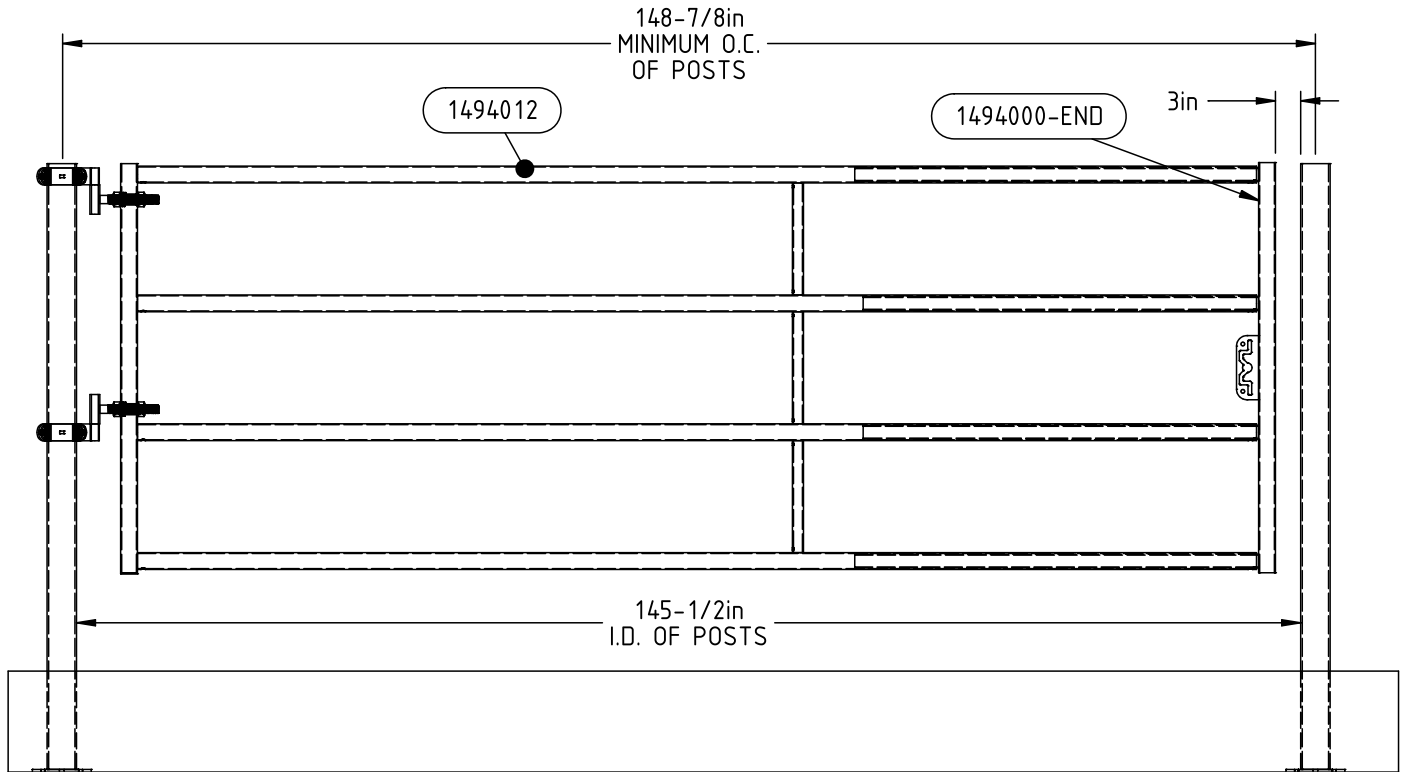
INSTALL NEW GATES (INSTALLATION DIAGRAM 1)



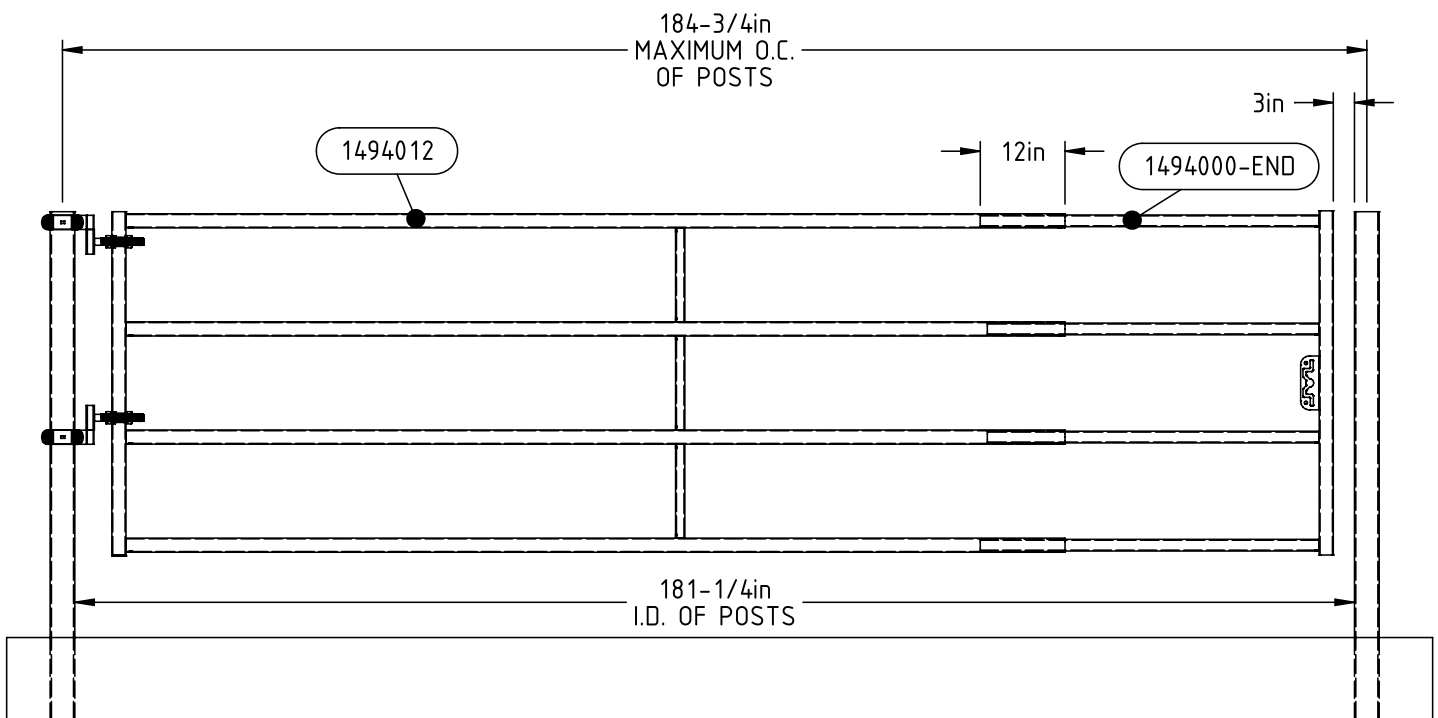
INSTALL NEW GATES (INSTALLATION DIAGRAM 2)



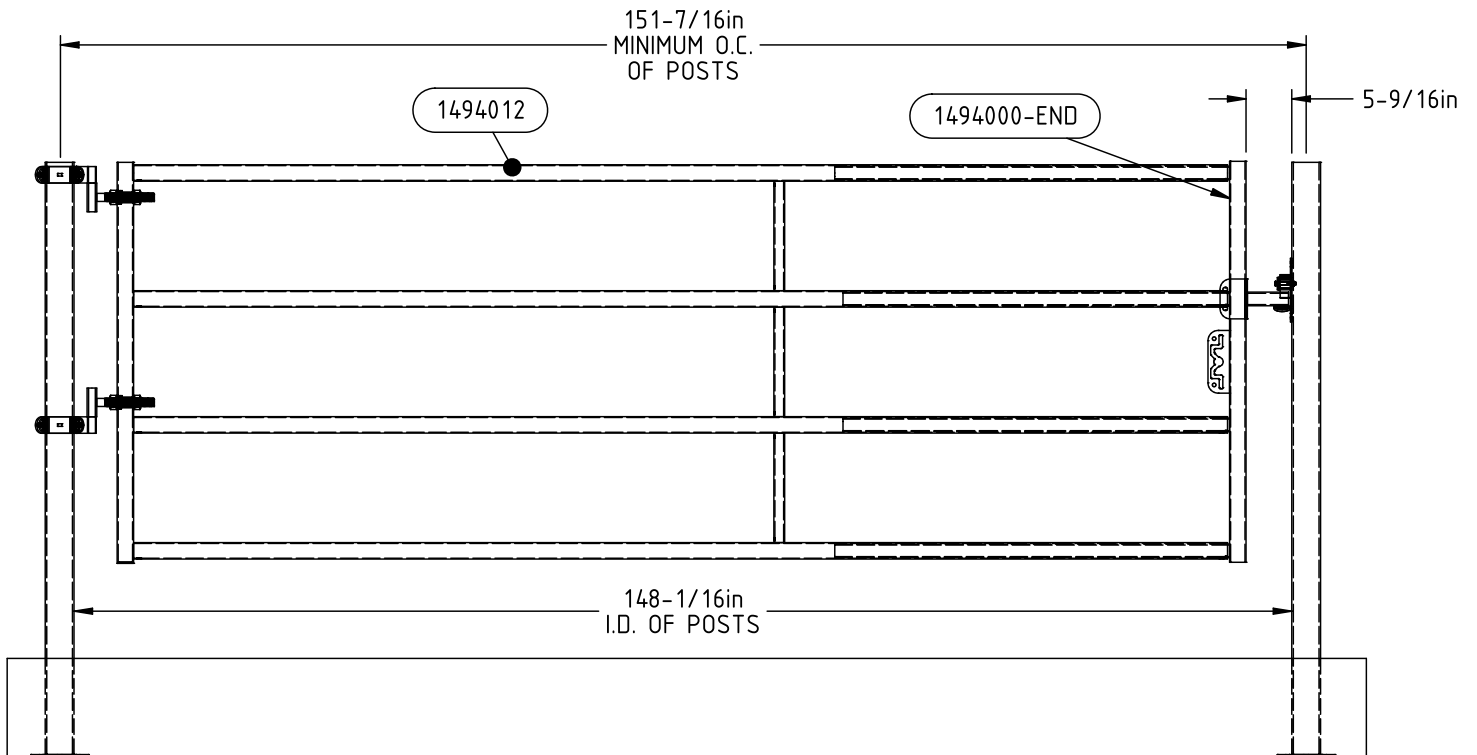
12' GATE (MINIMUM SPACING)



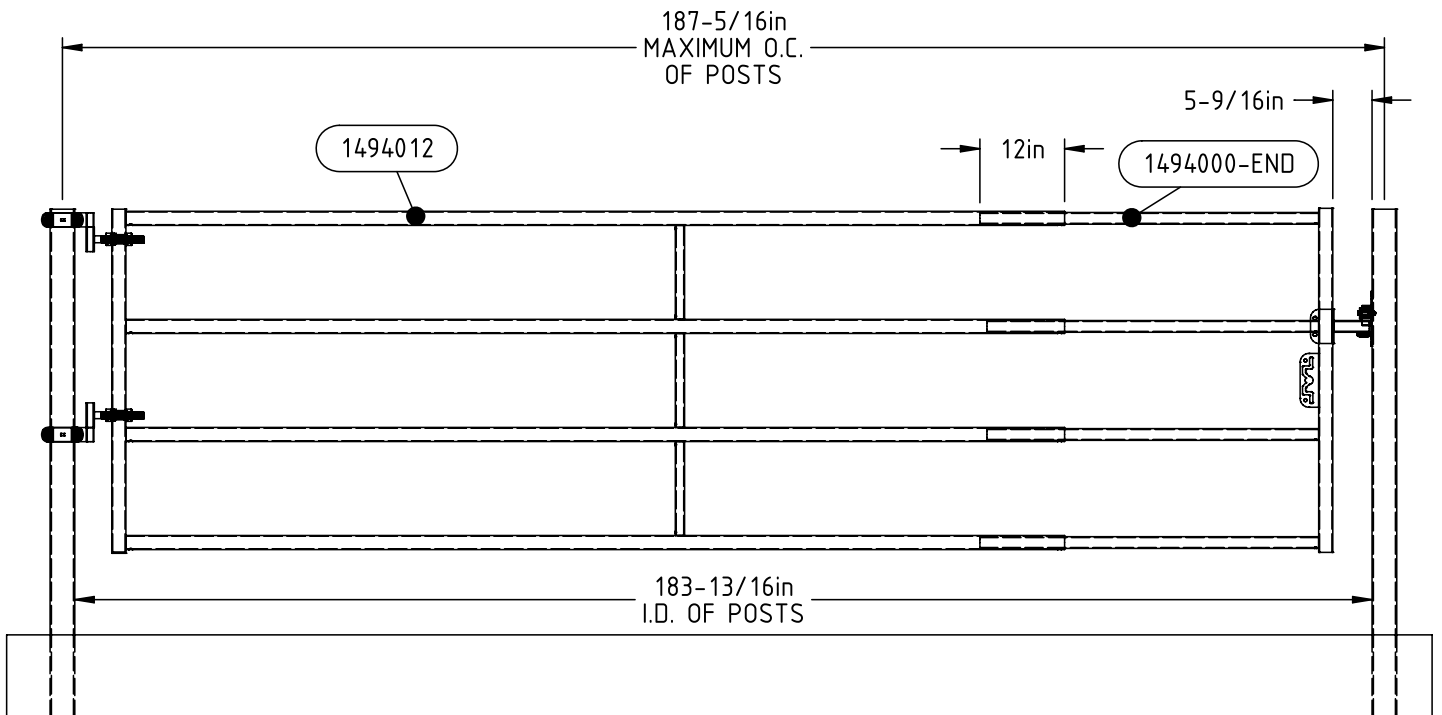
12' GATE (MAXIMUM SPACING)



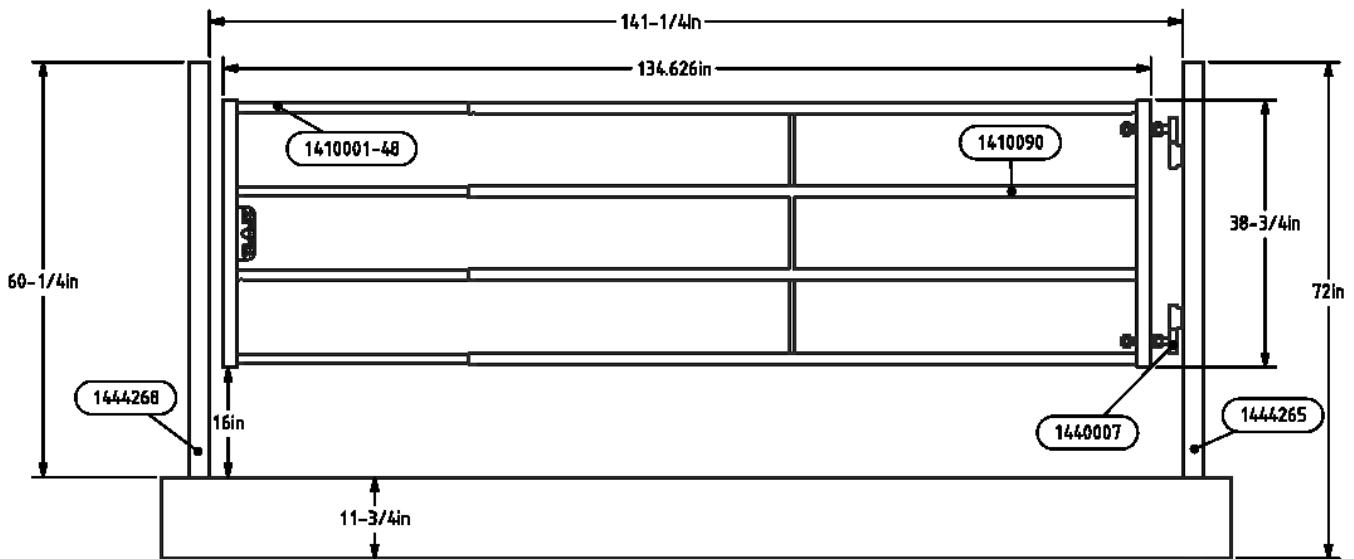
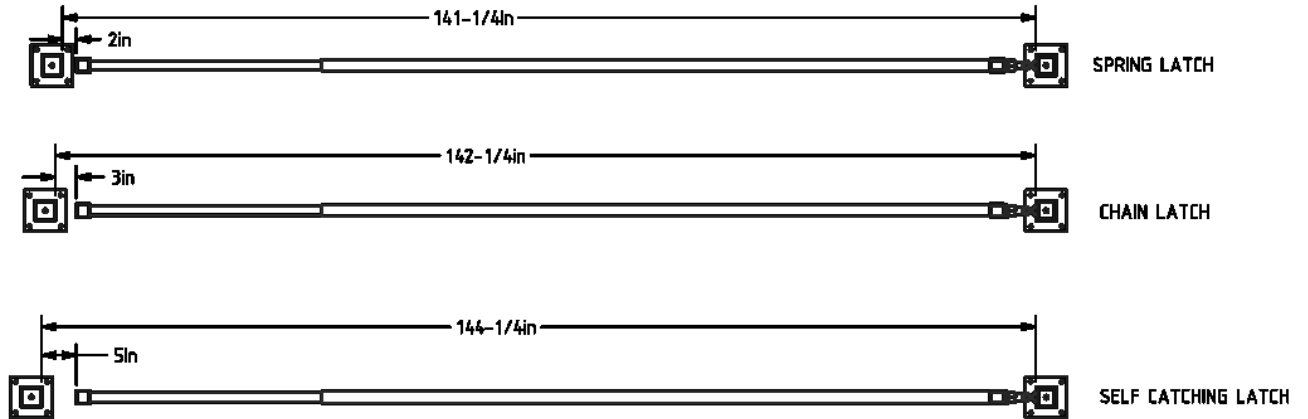
12' GATE WITH BOLT ON STUB (MINIMUM SPACING)



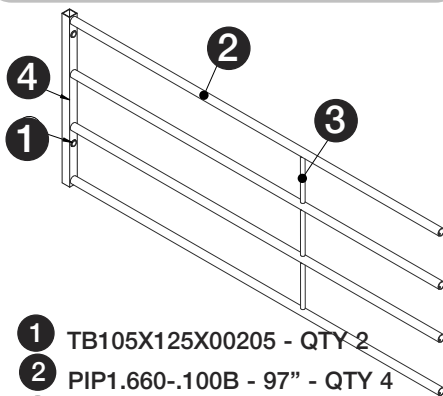
12' GATE WITH BOLT ON STUB (MAXIMUM SPACING)



1411090-48PK



**GALV 4 BAR ADJ
CALF GATE 108" LG
(ADJ / BOLT ON HINGE)**

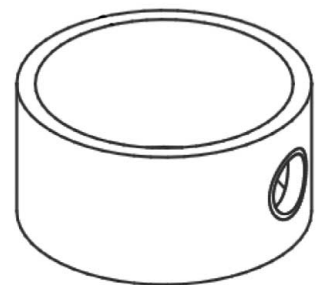


- 1 TB105X125X00205 - QTY 2
- 2 PIP1.660-.100B - 97" - QTY 4
- 3 ROD7/8 - 10 1/2" - QTY 3
- 4 1494000C-SQ - 38 3/4" - QTY 1

**1410001-48
GATE END EXTENSION X 48" LG
(4-BAR)**

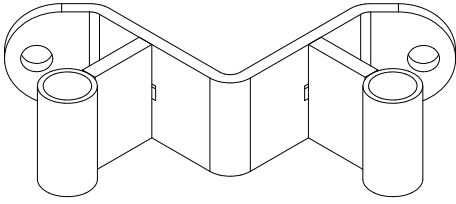


**1410001-LCK
CALF GATE LOCK COLLAR**

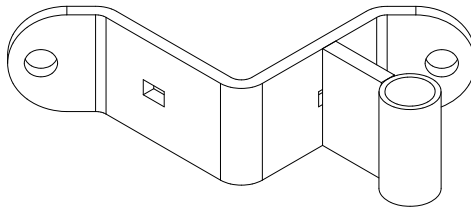


**PART MUST REMAIN BURR
FREE INSIDE AND OUT.**

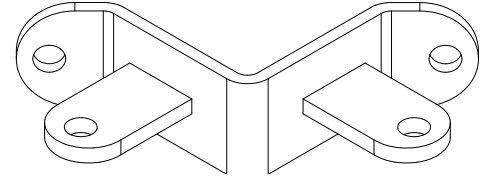
1498501 - 2 WAY SLV (3 1/2" SQ POST) HINGING BRACKET



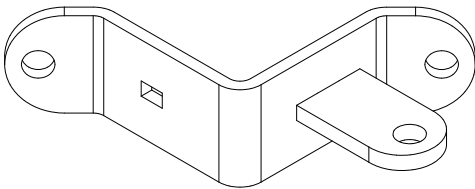
1498502 - 1 WAY SLV (3 1/2" SQ POST) HINGING BRACKET



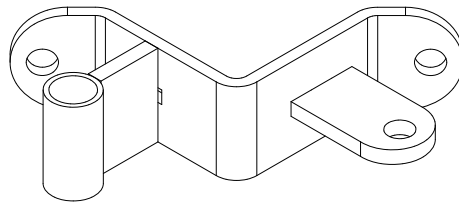
1498503 - 2 WAY BOLT THROUGH (3 1/2" SQ POST) HINGING BRACKET



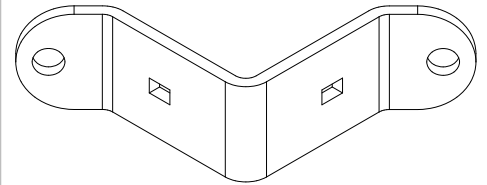
1498504 - 1 WAY BOLT THROUGH (3 1/2" SQ POST) HINGING BRACKET



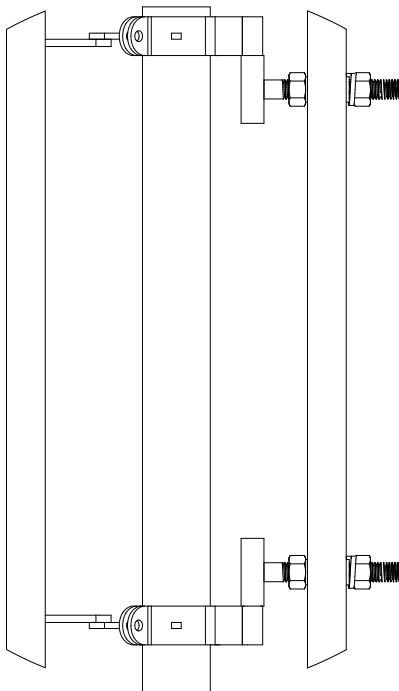
1498505 - 1 WAY BOLT THROUGH 1 WAY SLV (3 1/2" SQ POST) HINGING BRACKET



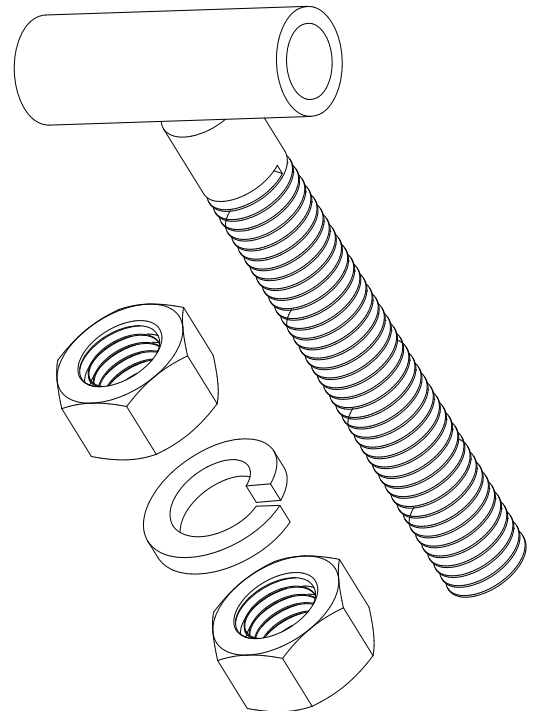
1498506 - GALV. FORMED PLATE ONLY (3 1/2" SQ POST) HINGING BRACKET



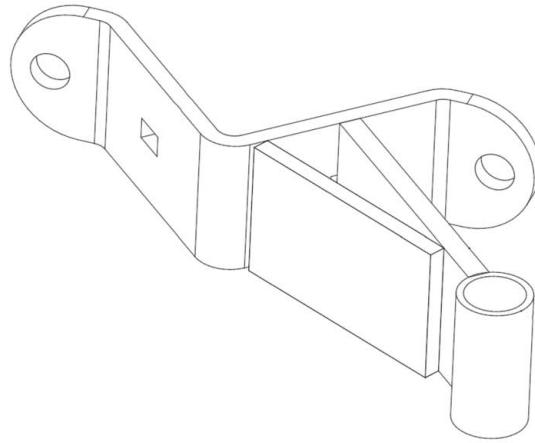
INSTALL HINGES - BOTH THE ADJUSTABLE SLEEVE AND THE BOLT THROUGH TAB ON GATES/FENCES GET INSTALLED IN BETWEEN HINGING BRACKETS



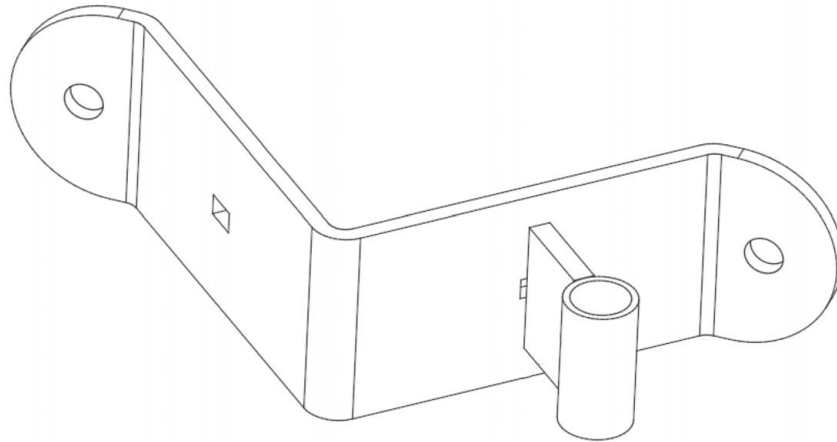
**1440007
7" HINGE INCLUDES
NUTS & WASHERS**



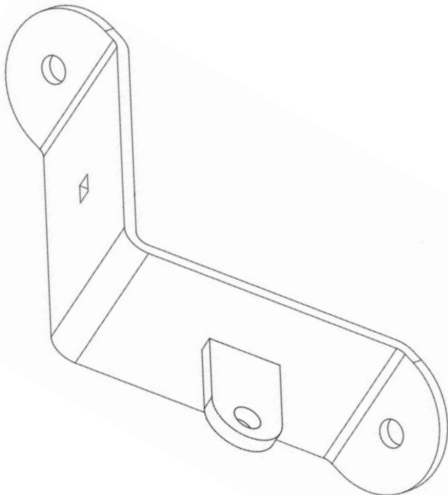
1498502-EXT
1 WAY SLV (3 1/2" SQ POST) EXTENDED HINGING BRACKET FOR CONCRETE CURB



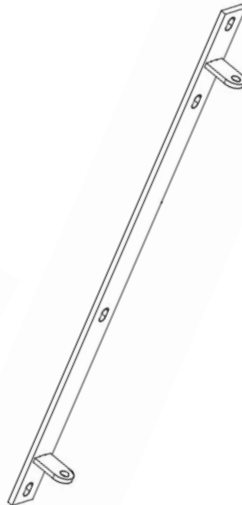
1498602
ONE WAY SLEEVE HINGING BRACKET FOR 6" X 6" STRUCTURAL POST



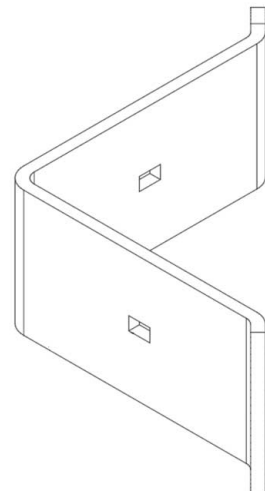
1498604
ONE WAY TAB BRACKET FOR 6" X 6" STRUCTURAL POST



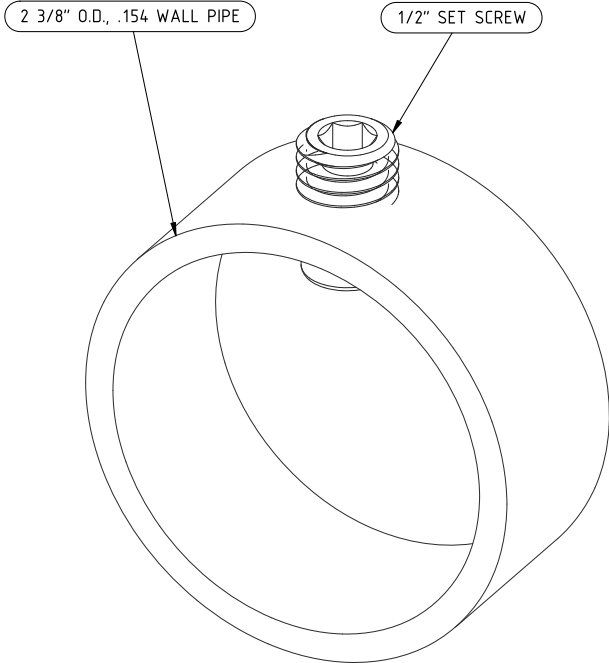
1490675H
HEAVY HINGE STRAP FOR FENCE



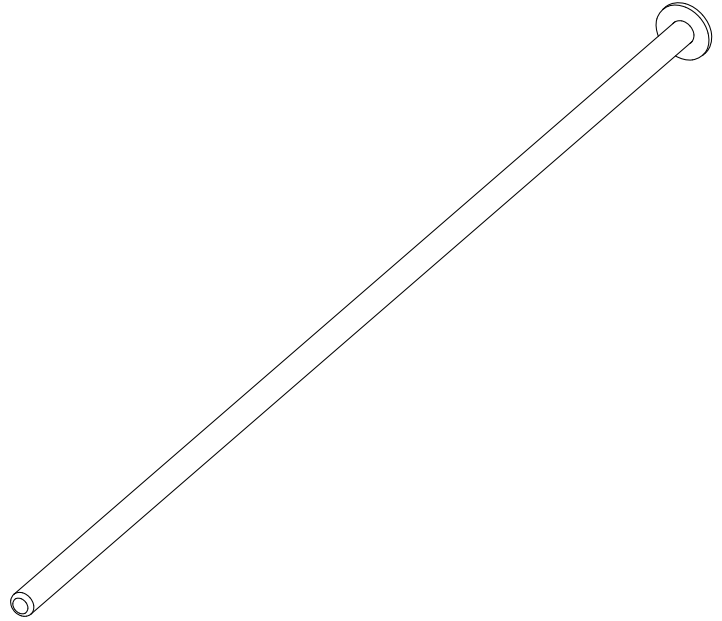
1498606
GALV FORMED PLATE ONLY BRACKET FOR 6" X 6" STRUCTURAL POST



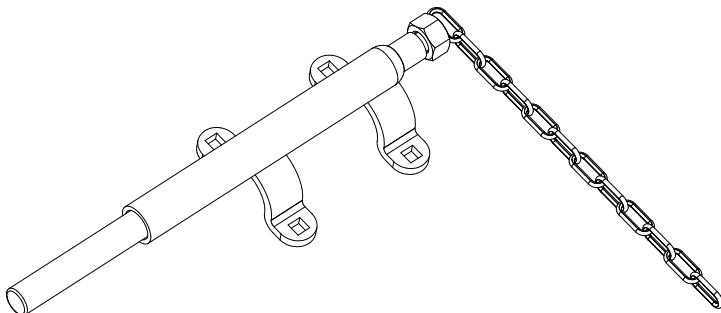
1490000-LOCK
1" GALV LOCK SCREW – PIPE THREAD



1490000-PIN
38" LG X 3/4" GALV GATE PIN (WASHER TOP)



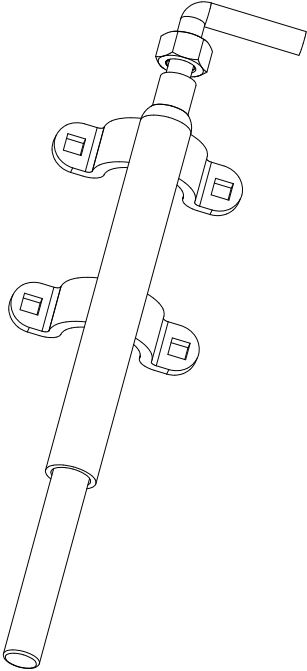
1444263-CH
SPRING LATCH C/W CHAIN PULL + CLAMP PACKAGE



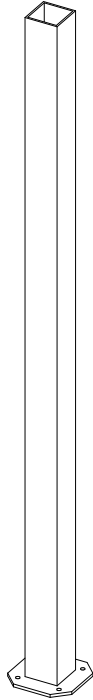
1490475H - HEAVY HINGE STRAP FOR SLV
(FOR 3 1/2" ADJ SLEEVE)



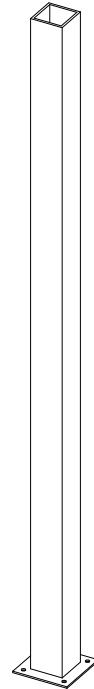
1444260
SPRING LATCH + CL PKG
(NEW GATE)



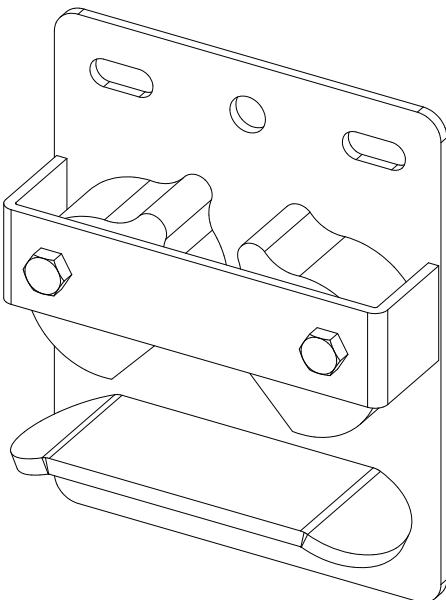
1495270 - SQUARE 3 1/2" X 72" X
.188 WALL GALV POST (NO SLEEVES)



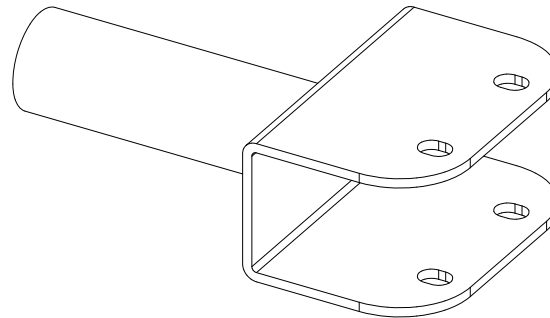
1444370 - 3 1/2" X 72" X .250 WALL
GALV SQUARE POST (NO SLEEVES)



1496250 - 2-WAY SELF CATCH
WEIGHTED LATCH - 3" OR 3 1/2"
SQ POST



1430001-ST
ST BOLT ON STUB END



USS06X0309X0410
3/8" SS x 3 9/16" ID X 4" 5/8 SQ U-BOLT 1" THREAD

