

## ROUND BOTTOM TROUGH WITH MOUNTS



## HEATED POLY WATERERS

Model: P25, P50, P100



## TIPPABLE SSH20 SINGLE HEAD WATERER

Single head waterer for calves and cows



## HEATED LIVESTOCK WATERERS

Available models: H50, HL50, H100, H200



**CANARM LTD. - Corporate Office**  
PO Box 367 2157 Parkedale Ave.,  
Brockville, ON  
Canada K6V 5V6  
Tel: (613) 342-5424 Fax: 1-800-263-4598

**Arthur Manufacturing Facility**  
#7686 Concession 16, RR 4  
Arthur, ON  
Canada N0G 1A0  
Tel: (519) 848-3910 Fax: (519) 848-3948

**Montréal Warehouse**  
2555 Rue Bernard Lefebvre  
Laval, PC  
Canada H7C 0A5  
Tel: (450) 655-2535 Fax: (450) 665-0910

**CANARM LTD. - USA Warehouse**  
808 Commerce Park Drive  
Ogdensburg, New York,  
USA 13669  
Tel: 1-800-267-4427 Fax: 1-800-263-4598

[www.canarm.com](http://www.canarm.com)  
Subject to Change without notice.

[agsales@canarm.ca](mailto:agsales@canarm.ca)  
Printed in Canada



**FACT**

**STUDIES HAVE SHOWN THAT THERE IS LESS BACTERIAL GROWTH ON STAINLESS STEEL WATER TANKS.**

New round bottom design allows for easier cleaning to keep water fresh for your cows!

## FEATURES

- Easy to tip the trough to keep your cows' water supply clean. No tools required!
- Heavy duty 304 stainless steel construction.
- Reinforced edge for safety and added strength.
- Designed to keep cows safe from corners, pivoting assembly and float cover.
- Available in 4', 6', 8', 10' & 12' sizes.
- Easy to clean with a brush, limited number of corners.
- Heavy duty wall and floor mount options.
- Mount system protects the trough in a high traffic area.



Visit our website to see a video of just how easy it is to tip and clean.

## WALL MOUNT



## FLOOR MOUNT



**CANARM LTD. - Corporate Office**  
PO Box 367 2157 Parkedale Ave.,  
Brockville, ON  
Canada K6V 5V6  
Tel: (613) 342-5424 Fax: 1-800-263-4598

**Arthur Manufacturing Facility**  
#7686 Concession 16, RR 4  
Arthur, ON  
Canada N0G 1A0  
Tel: (519) 848-3910 Fax: (519) 848-3948

**Montréal Warehouse**  
2555 Rue Bernard Lefebvre  
Laval, QC  
Canada H7C 0A5  
Tel: (450) 655-2535 Fax: (450) 665-0910

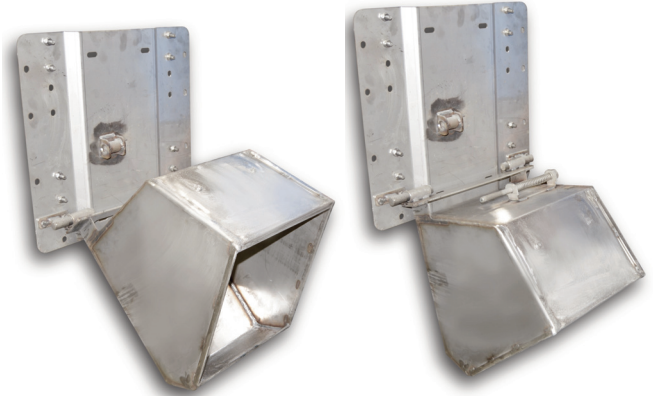
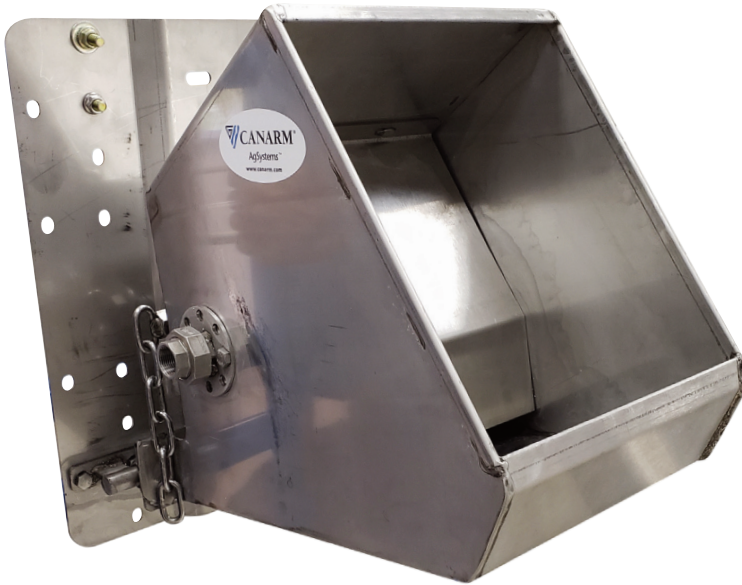
**CANARM LTD. - USA Warehouse**  
808 Commerce Park Drive  
Ogdensburg, New York,  
USA 13669  
Tel: 1-800-267-4427 Fax: 1-800-263-4598

[www.canarm.com](http://www.canarm.com)  
Subject to Change without notice.

[agsales@canarm.ca](mailto:agsales@canarm.ca)  
Printed in Canada

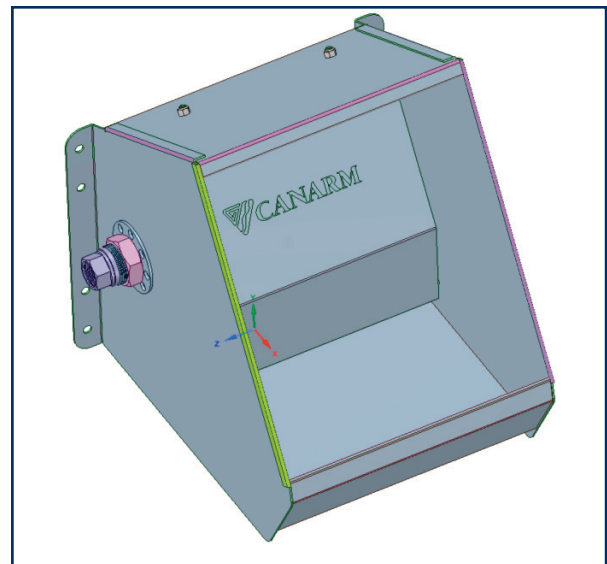
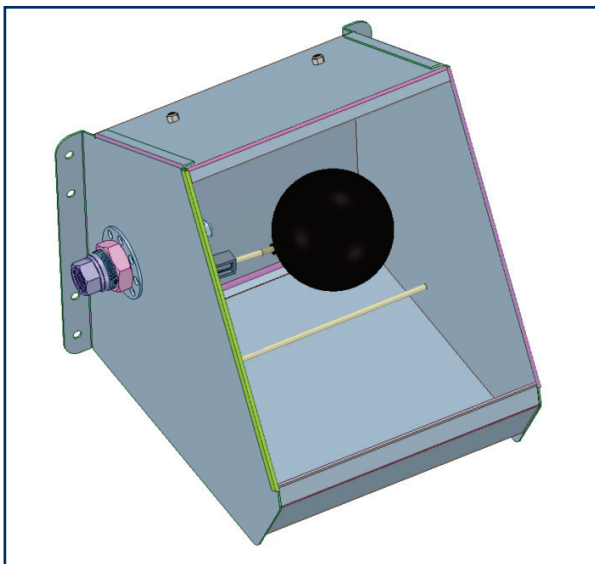
## TIPPABLE SINGLE HEAD WATERER FOR CALVES AND COWS

Part of Canarm's line of water source solutions.



### FEATURES

- Tippable design for easy emptying.
- Float controlled water flow - protected from animals.
- Made from durable stainless steel, to resist corrosion.
- Low maintenance and easy to clean.
- Stainless steel reduces bacteria growth.
- An easy way to provide multiple watering locations throughout the barn and at the feed bunk.
- Suitable for all age groups.
- Universal mount.
- 13 gpm float valve (49L/min).



Canarm's Energy Efficient Heated Livestock Waterers are designed for both durability and ease of use.



2" INSULATION (R15)



FLOAT & VALVE ASSEMBLY



Our strong, double wall design, combined with 2" of injected polyurethane foam insulation, gives an R15 insulation value, one of the highest in the industry. The new Poly option for the 50 head waterer has a R18 insulation value! Our waterers are 4X Corrosion Resistant.

Based on PAMI testing our HL50 and H100 were rated #1 for energy savings. The energy cost for the winter season on our HL50 model proved to be almost 3 times more efficient than the competitive models tested at the same time. Our H50, HL50 and H100 are now designed with more than twice the amount of insulation than the models tested by PAMI.

The hinged bowl is designed to lift up for easy cleaning, as well as quick access to all internal components. Stainless steel bowl construction ensures long life, and eliminates the risk of chipping paint and rust contamination. Canarm heated livestock waterers come with either a 300 watt or 500 watt thermostatically controlled heating element. An external pilot light (there is no pilot light on the P50), which is visible from a distance, glows when the heater is operating. The thermostat is adjustable and can be accessed through the control cover. The nylon control valve is designed for trouble free, year around operation.

## FEATURES

### H50

- 2" foam insulation - R15
- Pilot light glows when unit in operation
- Waters up to 50 cattle
- 120V, 300 watt element
- 24" H x 26 1/2" L x 16 1/2" W
- 5.5 GPM @ 30 PSI
- 2.5 AMPS
- 1 year warranty

### H100

- 2" foam insulation - R15
- Pilot light glows when unit in operation
- Waters up to 100 cattle
- 120V, 500 watt element
- 24" H x 31" L x 22" W
- 5.5 GPM @ 30 PSI
- 4.2 AMPS
- 1 year warranty

### HL50

- 2" foam insulation - R15
- Pilot light glows when unit in operation
- Waters 50 cattle or 200 sheep
- 120V, 300 watt element
- 12" H x 26 1/2" L x 16 1/2" W
- 5.5 GPM @ 30 PSI
- 2.5 AMPS
- 1 year warranty

### H200

- 2" Injected structural foam insulation - R15
- Pilot light glows when unit in operation
- Waters up to 200 Head of Cattle
- Hi Flow valve design 12 GPM @ 30 PSI pressure for faster fill.
- 120V, 500 watt + 300 watt element
- 24" H x 41 5/8" L x 23 3/4" W
- 6.7 AMPS
- 1 year warranty

**RUGGED • ENERGY EFFICIENT • ANIMAL FRIENDLY • ECONOMICAL**



## HEATED POLY WATERERS

- Durable poly cabinet resists corrosion for years of service.
- Stainless steel top and poly cabinet will never rust.
- 4X Corrosion Resistant
- Comes with seamless stainless bowl.
- Stainless steel bowl construction ensures long life, and eliminates the risk of chipping paint and rust contamination.
- Thicker cabinet wall for a superior R value (R18).
- Mounting corners molded inside the cabinet make for easy installation and removal.
- Bowl has rounded corners that provide a durable yet smooth surface that is gentle on animals.
- Comes with a thermostatically controlled heating element.
- Electrical box hinges open from the inside for easy access to components.
- Adjustable thermostat.
- Nylon control valve is designed for trouble free, year around operation.
- 1 year warranty.



## FEATURES

### P25

- 2" PLUS foam insulation – R18
- UV resistant Polypropylene
- Waters 25 cattle or 100 sheep
- 120V 190 watt element
- 18"H x 20"L x 20"W
- 5.5 GPM @ 30PSI
- 1.6 Amps

### P50

- 2" PLUS foam insulation - R18
- UV resistant Polypropylene
- Waters 50 cattle or 200 sheep
- 120V, 300 watt element
- 24" H x 29" L x 19" W
- 5.5 GPM @ 30 PSI
- 2.5 Amps

### P100

- 2" PLUS foam insulation – R18
- UV resistant Polypropylene
- Waters 100 cattle
- 120V 500 watt element
- 24"H x 34"L x 25"W
- 5.5 GPM @ 30PSI
- 4.2 Amps

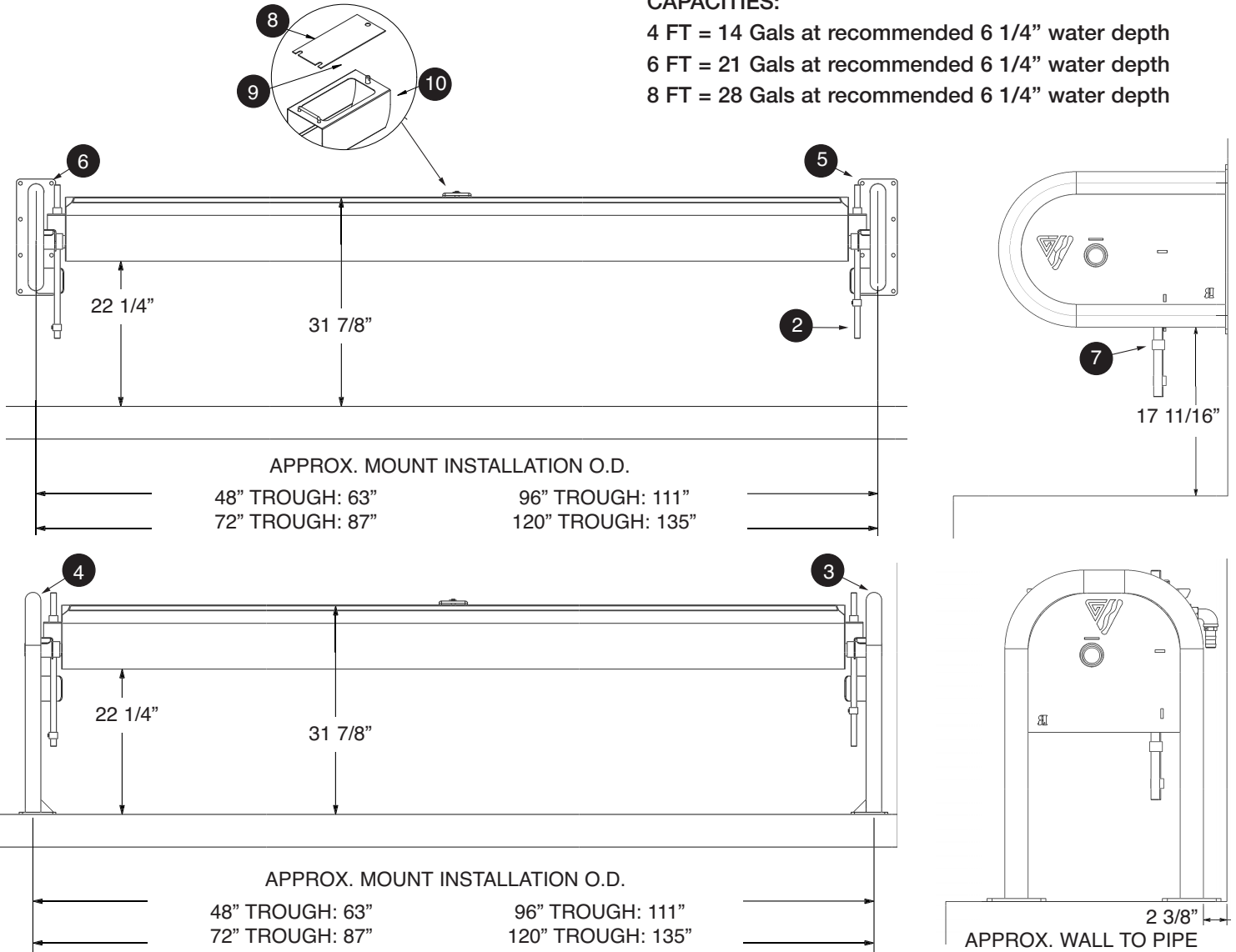
## ASSEMBLY

### CAPACITIES:

4 FT = 14 Gals at recommended 6 1/4" water depth

6 FT = 21 Gals at recommended 6 1/4" water depth

8 FT = 28 Gals at recommended 6 1/4" water depth



ILLUS.	DESCRIPTION	PART #	PACKAGE NAME
1	48" LG SS ROUND BOTTOM TIP TROUGH (10" H x 14" W)	1608048	SS TIP TROUGH
	72" LG SS ROUND BOTTOM TIP TROUGH (10" H x 14" W)	1608072	
	96" LG SS ROUND BOTTOM TIP TROUGH (10" H x 14" W)	1608096	
	120" LG SS ROUND BOTTOM TIP TROUGH (10" H x 14" W)	1608120	
2	1" ROD HANDLE, GALV	1600130	HANDLE MOUNTS FLOOR
3	ROUND TUBING TIP TANK FLOOR MOUNT, GALV - RIGHT SIDE	1600700FR	
4	ROUND TUBING TIP TANK FLOOR MOUNT, GALV - LEFT SIDE	1600700FL	
2	1" ROD HANDLE, GALV	1600130	HANDLE MOUNTS WALL
5	ROUND TUBING TIP TANK WALL MOUNT, GALV - RIGHT SIDE	1600700WR	
6	ROUND TUBING TIP TANK WALL MOUNT, GALV - LEFT SIDE	1600700WL	
7	1" LG COLLAR FOR HANDLE	1600134	1608410 SS HDW + COVER PLATE
8	<b>STAINLESS STEEL COVER PLATE</b>	Included	
9	1/4" X 1-5/8" LG LYNCH PIN	2060633	
10	1/4" X 3/8" SS HEXBOLT	BOL1/4-3/8HSS	
-	1/4-20 X 1 SS HEXBOLT	BOL1/4-1HSS	
-	1/4-20 N.I.LOCK NUT SS 304	NUT1/4LSS	

## ASSEMBLY

**\* CAPACITIES:**

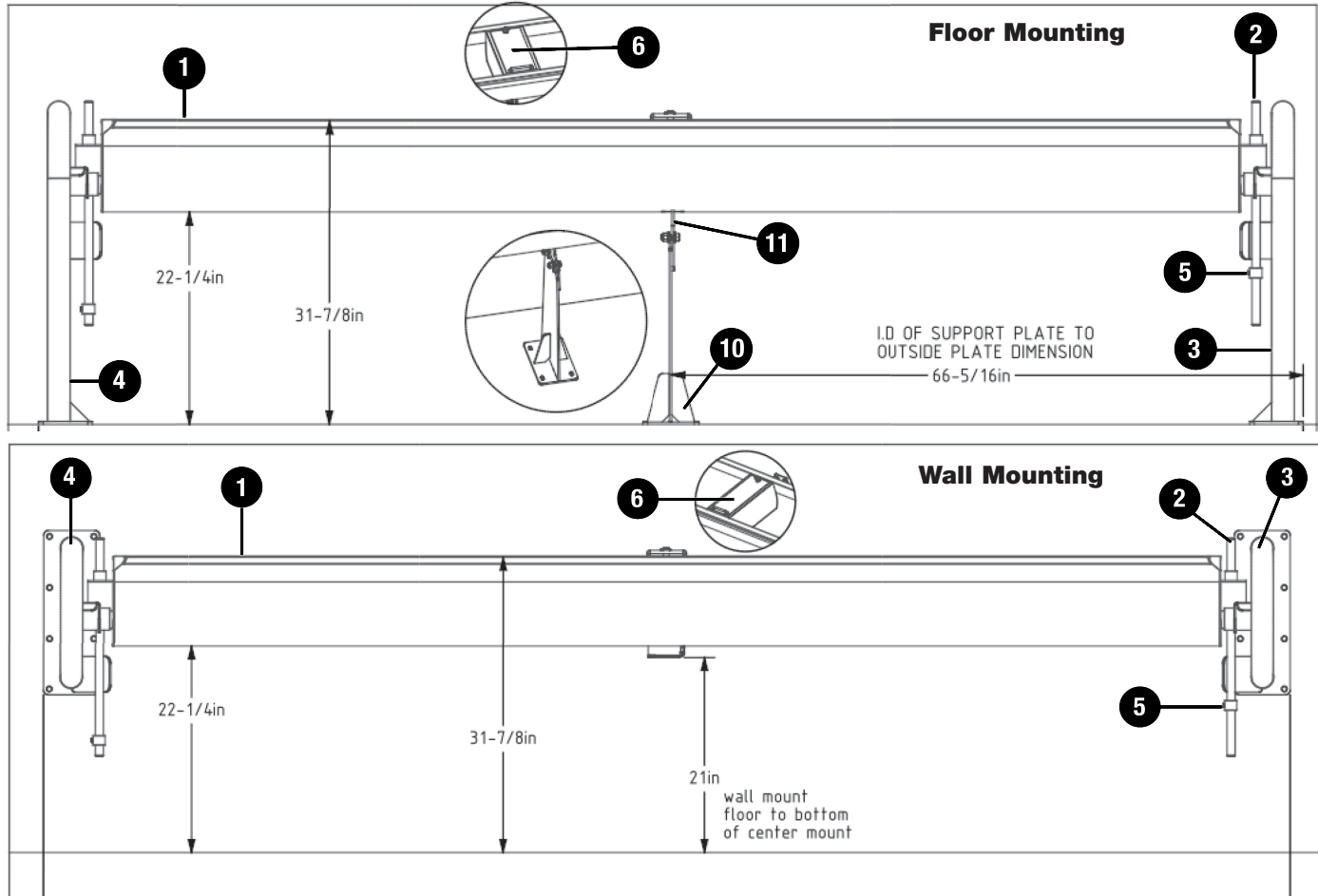
10FT = 46 Gals at recommended 6 ¼" water depth

12FT = 55 Gals at recommended 6 ¼" water depth

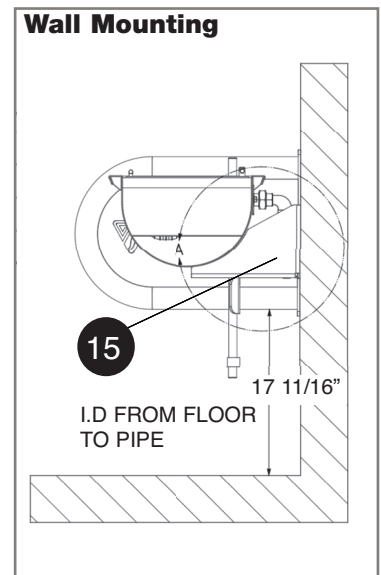
External dimension of the plate:

Floor mount: 132 15/16" & 156 15/16" wide

Wall mount: 134 11/16" & 158 11/16" wide



ILLUS.	DESCRIPTION	PART #	PACKAGE NAME
1	SS TIP TROUGH ONLY (10" H) 120" 144"	1608120 1608144	SS TIP TROUGH
2	1" ROD GALV HANDLE ONLY /TROUGH	1600130	HANDLE MOUNTS FLOOR
3	GALVANIZED RIGHT FLOOR MNT BRACKET/TROUGH	1600700FR	
4	GALVANIZED LEFT FLOOR MNT BRACKET/TROUGH	1600700FL	
2	1" ROD GALV HANDLE ONLY /TROUGH	1600130	HANDLE MOUNT WALL
3	GALVANIZED RIGHT WALL MNT BRACKET/TROUGH	1600700WR	
4	GALVANIZED LEFT WALL MNT BRACKET/TROUGH	1600700WL	
5	1" LG COLLAR/TROUGH HANDLE	1600134	SS HDW + COVER PLATE <b>1608410</b>
6	<b>STAINLESS STEEL COVER PLATE</b>		
N/S	1/4" X 3/8" SS HEX BOLT	BOL1/4-3/8HSS	
N/S	1/4-20 X 1 SS HEXBOLT	BOL1/4-1HSS	
N/S	1/4-20 N.I.LOCK NUT SS 304	NUT1/4LSS	
10	BASE FOR ADJ CENTRE REST	1600700-BASE	FLOOR MOUNT CENTRE SUPPORT
11	ADJUSTABLE CENTRE REST (TIP TROUGH)	1600500-ADJ	
N/S	1/2" X 1 1/2" HEX BOLTS	BOL1/2-13/4SS	
N/S	1/2" NYLON INS LOCK NUT	NUT1/2LSS	
N/S	1/2" FLAT WASHER	WAS1/2SS	
15	GALVANIZED WALL MNT CENTRE SUPPORT	1600700W	WALL MOUNT CENTRE SUPPORT



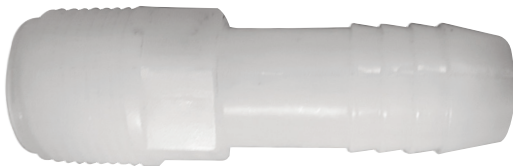
**1500108**  
3/4" M-F STREET ELBOW (13 GPM)



**1500110**  
REDUCED ASSEMBLY (13 GPM)



**1500103**  
3/4" BARBED ADAPTER (13 GPM)



**1600129-3**  
LINK ARM (13 GPM)



**1500201**  
PLASTIC FLOAT VALVE (13 GPM)

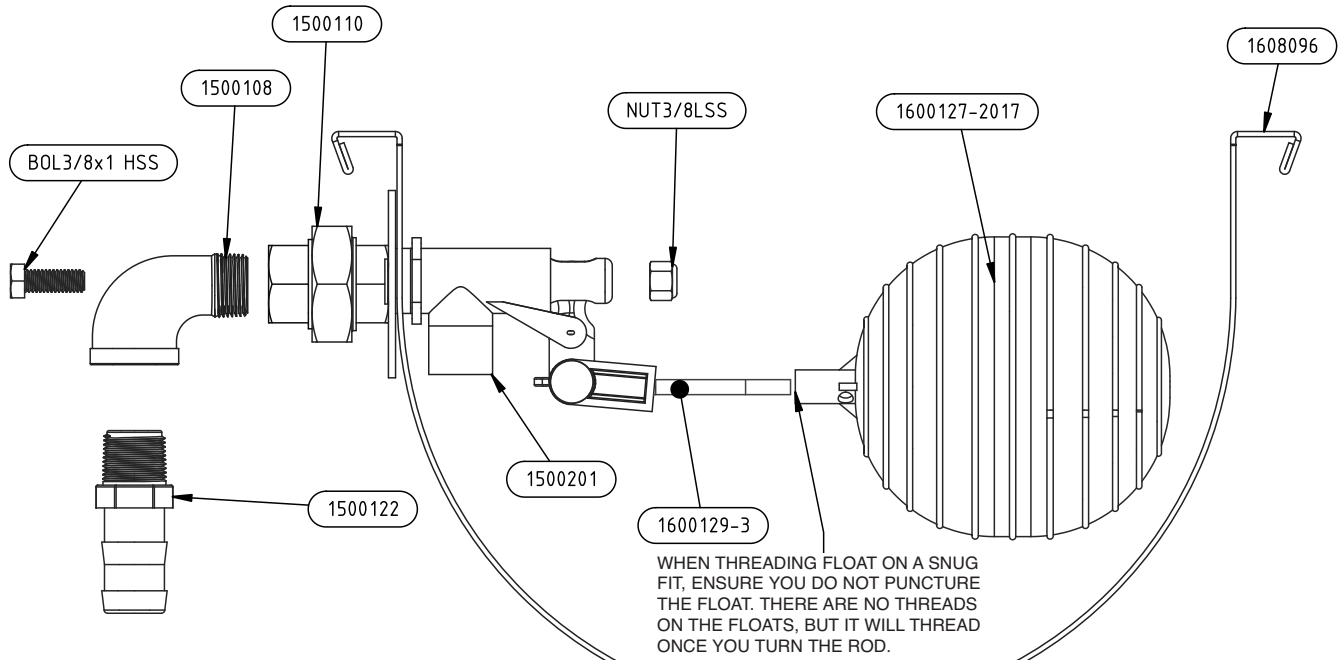


**1600127-2017**  
5" FLOAT BALL FOR 1600125 VALVE

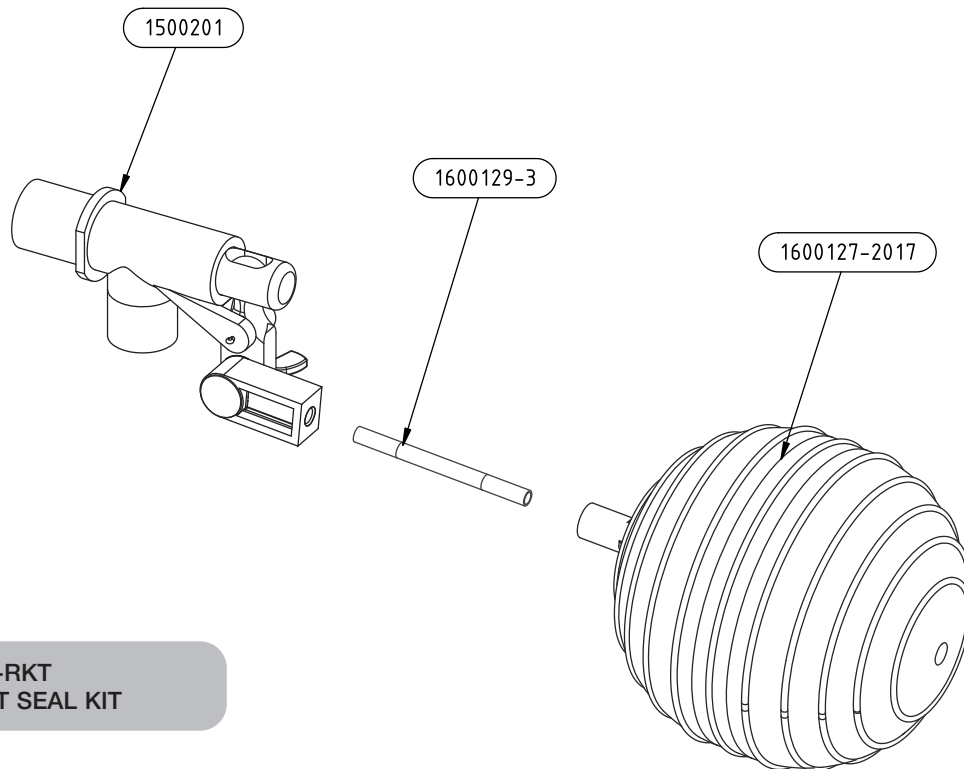




**1500100**  
PLASTIC FLOAT VALVE (13 GALLONS / MIN) + HDW

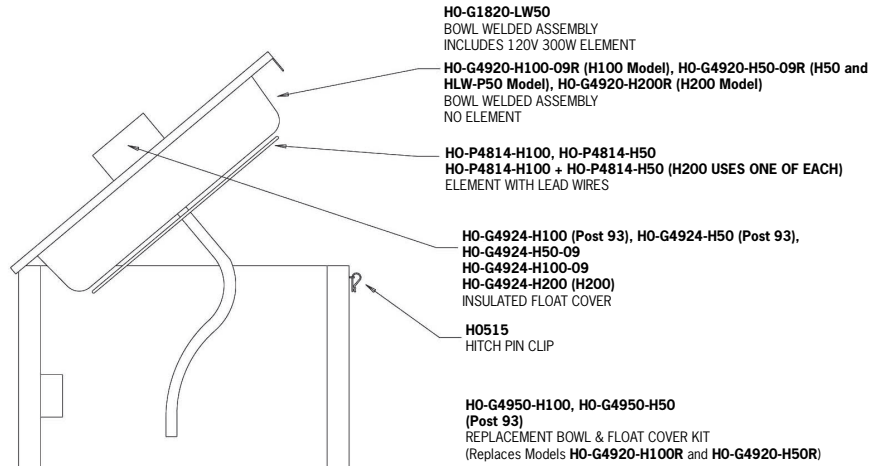


**R-1500201PK**  
REPLACEMENT 13GPM PL VALVE, STEM AND FLOAT BALL PKG

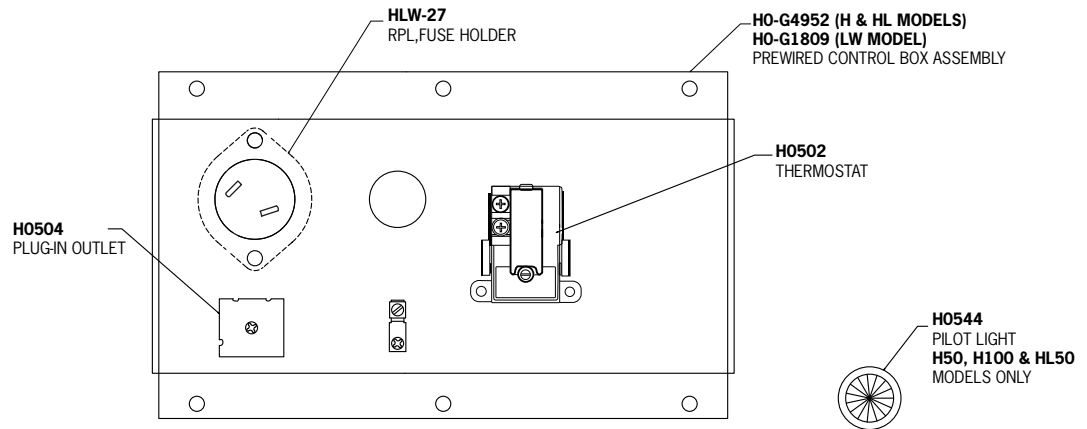


**1500201-RKT**  
REPLACEMENT SEAL KIT

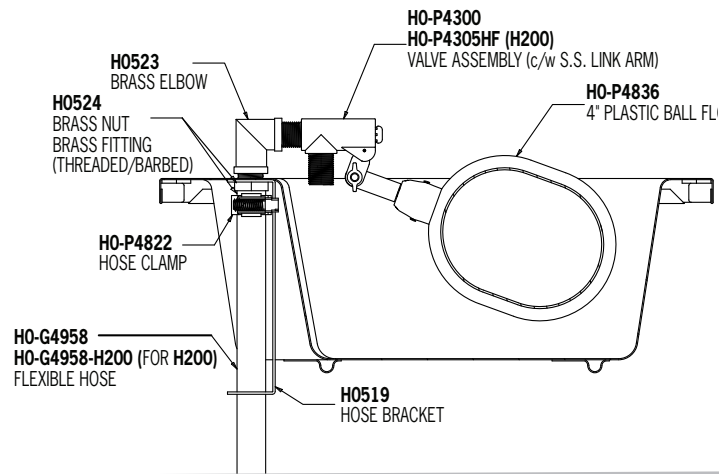
## GENERAL COMPONENTS



## ELECTRICAL COMPONENTS



## WATER SUPPLY COMPONENTS



**H0-G4920-H100-09R - REPLACEMENT BOWL - H100 (POST 2008)**

**H0-G4920-H50-09R - REPLACEMENT BOWL - H50 (POST 2008)**

**H0-G4920-H200R  
REPLACEMENT BOWL - H200**

**H0-G1820-LW50  
REPLACEMENT BOWL - LW50**



**H0-G4924-H100 - FLOAT COVER - H100 (POST '93) INSULATED**

**H0-G4924-H50 - FLOAT COVER - H50 (POST '93) INSULATED**

**H0-G4924-H50-09 - FLOAT COVER - H50 (POST 2008) INSULATED**

**H0-G4924-H200 - FLOAT COVER - H200 (POST 2008) INSULATED**



\*Post 2008 style shown above

**H0-G4950-H100  
H100 (All model years)  
H0-G4950-H50  
H50 (All model years)  
REPLACEMENT BOWL  
& FLOAT COVER KIT**

**H0-G4958  
FLEXIBLE SUPPLY HOSE  
(POST '93)**

**H0-G4958-H200  
FLEXIBLE SUPPLY HOSE  
(H200 MODELS)**



**H0-P4822 - (#10 GEAR CLAMP, HF10) HOSE CLAMP**



**H0-G4952 - CONTROL BOX PRE-WIRED (H, HL MODELS ONLY)**



**H0502  
THERMOSTAT**



**HLW-27  
FUSE HOLDER**



**H0514 - HOLD DOWN BRACKET + HDW. (POST '93)**



**H0519 - HOSE BRACKET HLW-93**



**H0523 - H0523 BRASS ELBOW (HLW-94)**



**H0524 - H0524 BRASS FITTING & NUT**



**H0544 - ROUND PILOT LIGHT (KIT) (POST '92)**



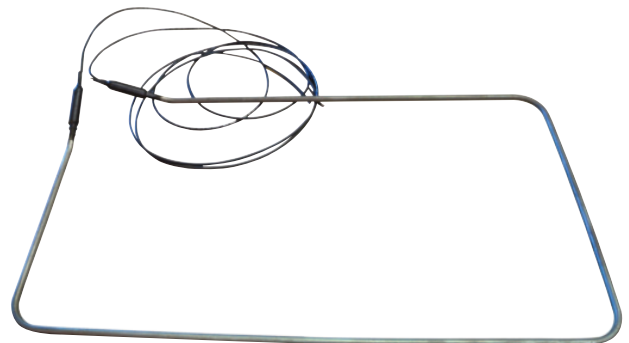
**H0-P4300 - VALVE ASSEMBLY (KERICK) C/W LINK ARM FOR FLOAT**

**H0-P4836  
4" PLASTIC BALL FLOAT**

**H0-P4305HF  
(H200 MODEL)**



**H0-P4814-H100 - ELEMENT (500 WATTS) - H100 (POST '93), 19" X 11"**  
**H0-P4814-H50 - ELEMENT (300 WATTS) - H50 (POST '93), 16" X 7"**



H200 Model uses one of each of the above.

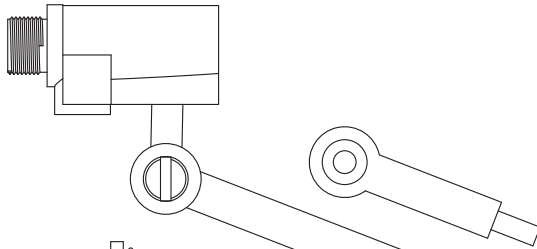
**H0-P4301 - VALVE CUP & TIP SEAL KIT**



PART #	DESCRIPTION
H0502	THERMOSTAT (HLW-20)
H0504	PLUG-IN OUTLET (HLW-26)
H0514	HOLD DOWN BRACKET (4 PK) & HARDWARE (H, HL MODELS)
H0516	CABINET WEATHER STRIPPING
H0519	HOSE BRACKET HLW-93
H0523	BRASS ELBOW 3/8"X3/8"
H0524	BRASS FITTING & NUT
H0544	ROUND PILOT LIGHT (KIT) (POST '92)
H0-C4904	CONTROL BOX EXTERNAL COVER (BLUE) H AND HL MODELS ONLY
H0-G1809	CONTROL BOX PRE-WIRED (LW MODEL ONLY) (SEE H0-G4952)
H0-G4920-H200R	REPLACEMENT BOWL - H200
H0-G4920-H100-09R	BOWL WELDED ASSEMBLY - H100 (POST 2008)
H0-G4920-H100R	OBSOLETE - SEE H0-G4950-H100
H0-G4920-H50-09R	BOWL WELDED ASSEMBLY - H50 (POST 2008)
H0-G4920-H50R	OBSOLETE - SEE H0-G4950-H50
H0-G4920-P50	REPL SS BOWL FOR P50 POLY WATERER
H0-G4924-H200	FLOAT COVER, INSULATED - H200
H0-G4924-H100-09	FLOAT COVER, INSULATED - H100 (POST 2008)
H0-G4924-H100	FLOAT COVER, INSULATED - H100 (POST '93)
H0-G4924-H50-09	FLOAT COVER INSULATED - H50 (POST 2008)
H0-G4924-H50	FLOAT COVER INSULATED - H50 (POST '93)
H0-G4950-H50	REPLACEMENT BOWL & FLOAT COVER KIT (H50 POST 1993)
H0-G4950-H100	REPLACEMENT BOWL & FLOAT COVER KIT (H100 POST 1993)
H0-G4952	CONTROL BOX PRE-WIRED (H, HL MODELS ONLY)
H0-G4958	FLEXIBLE SUPPLY HOSE (POST 93)
H0-G4958-H200	FLEXIBLE SUPPLY HOSE FOR H200
H0-P4201	KERICK - SANTOPRENE VALVE STOPPER (4PAK)(FOR OLD P4200 VALVES)
H0-P4300	KERICK - VALVE ASSEMBLY C/W LINK ARM FOR FLOAT
H0-P4301	KERICK - VALVE CUP & TIP SEAL KIT (1 SET) (FOR USE WITH P4301 VALVES)
H0-P4305HF	REPLACEMENT VALVE FOR H200 WATERER - 12 GPM @30 PSI (WORKS W/ 50 & 100 WATERER)
H0-P4813-300	ELEMENT (300 WATTS), OLD DESIGN 9" X 6" (MIN ORDER 24 PCS)
H0-P4813-400	ELEMENT (400 WATTS), OLD DESIGN 15 3/4" X 6 3/4" (MIN ORDER 24 PCS)
H0-P4813-600	ELEMENT (600 WATTS), OLD DESIGN 18" X 10" (MIN ORDER 24 PCS)
H0-P4814-H100	ELEMENT (500 WATTS) - H100 (POST '93), 19" X 11"
H0-P4814-H50	ELEMENT (320 WATTS) - H50 (POST '93), 16" X 7"
H0-P4836	4" BLACK PLASTIC FLOAT BALL
H0-P4856	PLASTIC HOSE FITTING (1/2" BARBED INSERT TO 1/2" MALE NPT)
HLW-27	FUSE HOLDER
HLW-VALVEKIT	WATERBOWL VALVE & FLOAT KIT

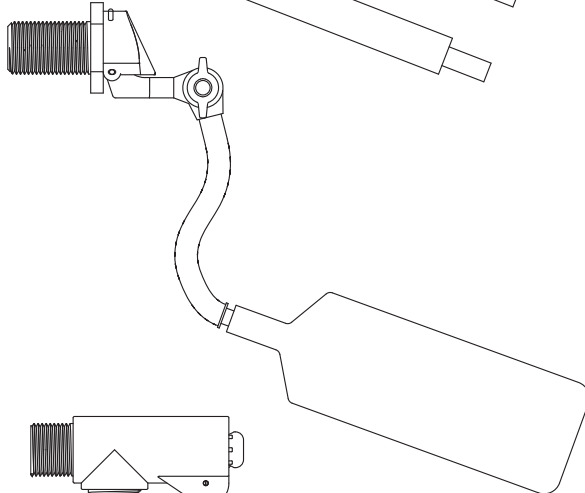
## HEATED LIVESTOCK WATERERS VALVE & FLOAT

Illustration #1



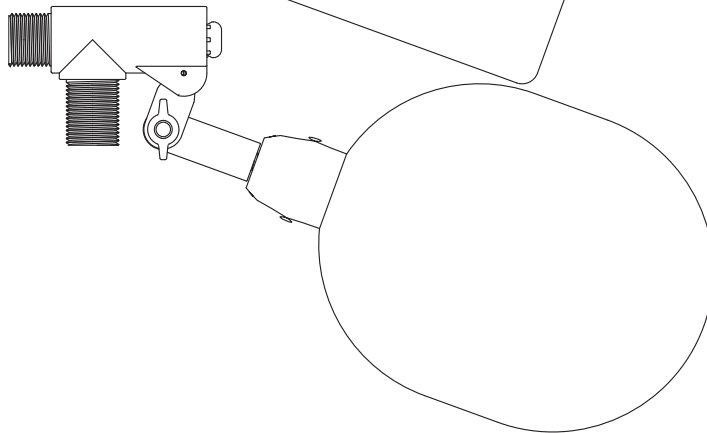
- (1) Part#: **H0511 / H0512**  
No longer available.  
Upgrade to newer valve (Illustration #3) is recommended.

Illustration #2



- (2) Part#: **H0-P4200 / H0-P4201**  
No longer available.  
New valve (Illustration #3) replaces valve shown in Illustration #2.

Illustration #3



- (3) Part#: **H0-P4300** Available and current default valve (5.5 GPM @ 30 PSI)  
Part #: **H0-P4305HF** for H200 model (12 GPM @ 30 PSI)

Float: **H0-P4836**

- 2001 Post-1994 valve assembly (see Illustration #1) required costly design upgrade for high water pressure (PSI) locations. Research thus began for alternate valves.
- 2003 An alternate valve (see Illustration #2) was found, tested and approved to cover high PSI locations with fair results for low PSI locations. Decision was made to completely switch to this valve.
- 2005 Feedback indicated that low PSI locations needed greater water flow. Valve supplier was immediately contacted for further development. In the interim however, low PSI users were told to purchase the post-1994 valve (Illustration#1) with an updated plastic float as a replacement assembly.
- 2006 A redesigned, more robust valve (Illustration #3) with improved sealing and a larger orifice size (with capacity for further enlargement) was soon developed, tested and approved. All 2006 waterers will have this new valve (Illustration #3).
- 2009 A high flow valve has been added for the H200 waterer. It is rated for 12 gal/min at 30 PSI. See replacement part #H0-P4305HF. It is retro-fittable to older models.

## TROUGHS

1. Order trough package
  - Specify length
  - Specify mount style
  
2. Order fill system
  - Standard plastic float (13 GPM)